

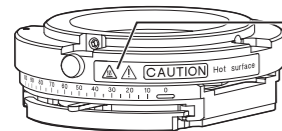
1 Handling precautions

DSX500/DSX500i/DSX100

- If the stage is moved during processing Super HDR (option), the afterimage is generated on the image. If you are uncomfortable with the afterimage, stop moving the stage and turn OFF Super HDR, and then resume moving the stage.

DSX100

Front side of DSX-POAD1X



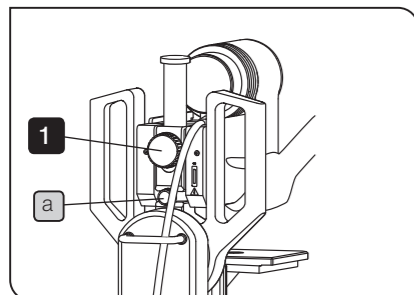
When the LED ring lighting is turned ON, the anti-halation unit is heated.

- While using the anti-halation unit, the working distance (W.D) is reduced.
- While using the anti-halation unit, if the tilt stand is tilted, the anti-halation unit may collide with the sample.
- While using the anti-halation unit, do not touch the anti-halation unit except the adjustment lever. You may be burned due to rising of the temperature around the anti-halation unit.
- Attach/detach the anti-halation unit after turning OFF the LED ring lighting to lower the temperature around the anti-halation unit.
- Attach/detach the anti-halation unit after removing the sample to prevent the sample damage.
- If the performance of the anti-halation unit is deteriorated, replace the polarizer plate for replacement.
- Tighten/loosen the filter fixing knob of the anti-halation unit slowly so as not to move the filter position.
- Basically, the motorized stage DSX-UFSSU is used without the rotating holder. However, you can still use it with the rotating holder. In such a case, consult the Olympus sales office where you purchased this product.
When the rotating holder is attached, the rotation center moves in the Y direction by 5mm from the home position of the initialized stage.
- When using the motorized stage DSX-UFSSU, the observation at the eucentric position by tilting the tilt stand is not available while using the LED transmitted lighting DSX-ILT.

2 Adding Anti-halation Unit (DSX100 only)

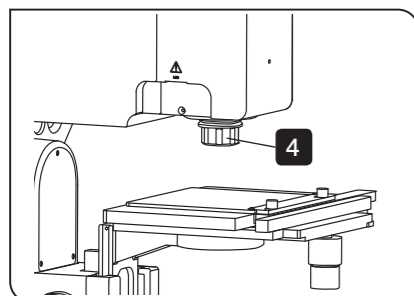
Attaching to the microscope frame

- ◎ When attaching the objective lens to the microscope frame, attach the anti-halation unit as well.
- ◎ For cautions or Tips when attaching the objective lens, refer to Instruction Manual (p.100 to p. 101).

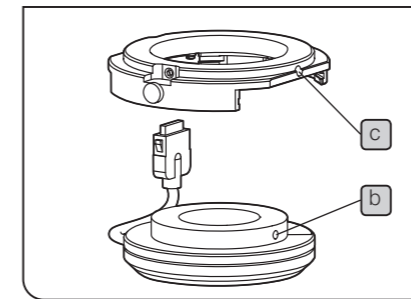


- 1 Loosen the dial fixing of the zoom head on the back of the zoom head enough to detach the fixing of the zoom head.

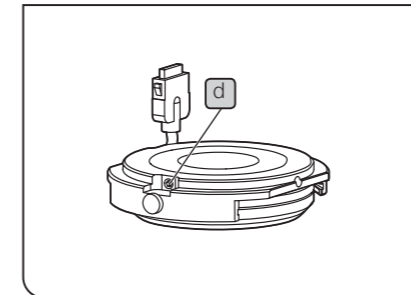
At this time, make sure that the anti-drop ring **a** is tightened firmly enough to adhere to the zoom head.



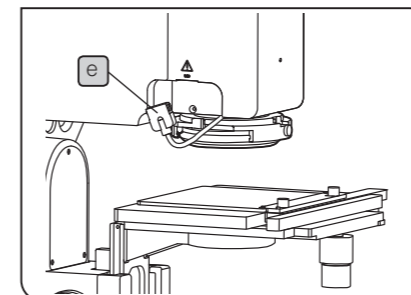
- 2 Slide the zoom head to the top-most position and tighten the dial fixing of the zoom head.
- 3 Loosen the anti-drop ring **a**, slide it right below the dial fixing of the zoom head and tighten it again.
- 4 Screw the objective lens for attachment.



- 5 Insert the attaching adapter from the top of the LED ring lighting so that the fixing screw position **b** of the LED ring lighting meets the screw hole **c** of the attaching adapter.

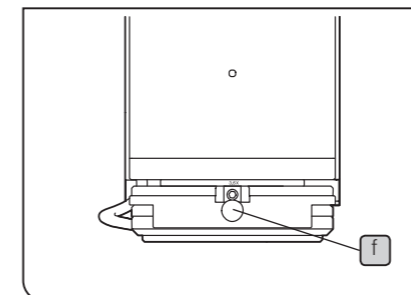


- 6 Tighten the fixing screw **d** of the attaching adapter by using the hexagonal screw driver provided with the zoom head.

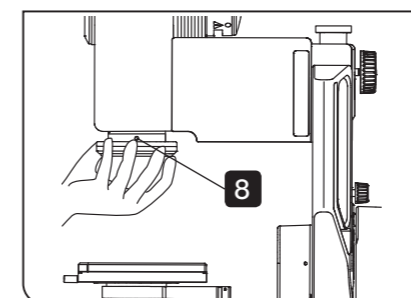


- 7 Insert the LED ring lighting to the zoom head, positioning its connector **e** on the left side.

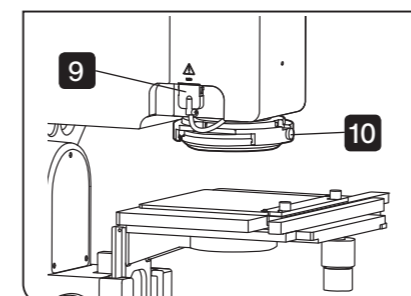
If you are using the anti-halation unit, insert the LED ring lighting to the zoom head so that the fixing knob **f** on the front of the attaching adapter comes to the front.



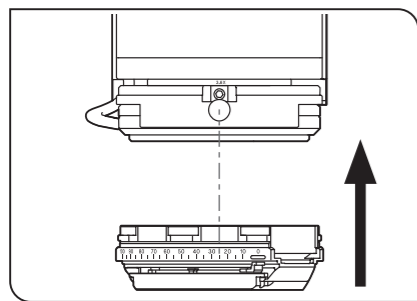
- 8 Tighten the fixing screw for the LED ring lighting with the hexagonal screw driver provided with the zoom head.



- 9 Attach the connector for the LED ring lighting.



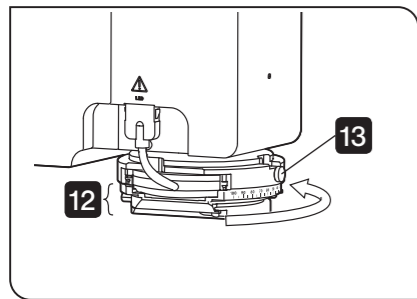
- 10 Loosen the fixing knob on the front side of the attaching adapter.



11 Fit the groove position of the attaching adapter to the groove position of the anti-halation unit, and push the anti-halation unit from below.

◎ It is easy to attach the anti-halation unit by inserting it so that the fixing knob on the front side of the attaching adapter comes between the scale 20 and 30 of the anti-halation unit.

CAUTION For attaching the anti-halation unit, support it with your hand not to drop it.



12 Rotate the anti-halation unit in the right direction until it touches the end.

13 Tighten the fixing knob on the front side of the attaching adapter until it stops.

CAUTION Do not overtighten the fixing knob. The observation may be impacted, e.g. the image may be brighter, etc.

14 Fix the zoom head. (Refer to **1**.)

When attaching the objective lens 1x

Loosen the dial fixing of the zoom head on the back of the zoom head, slide it to the top-most position and tighten it again.

(Skip this step if you followed **1**.)

When attaching the objective lens 3.6x

Loosen the anti-drop ring, slide it to the undermost position and tighten it again. Then, loosen the dial fixing of the zoom head on the back of the zoom head, slide it to the undermost position and tighten it again.

15 Fix the anti-drop ring right below the dial fixing. (Refer to **3**.)

After completing all assemblies, start the DSX-BSW software and set the anti-halation unit on the software.

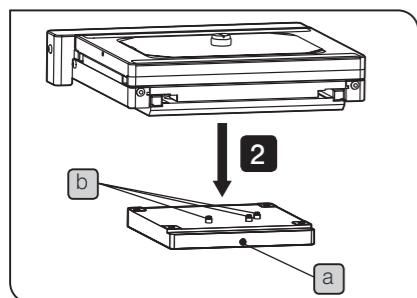
16 Start the software.

17 Refer to "Basics of the DSX500/DSX100" - "Setting for the anti-halation unit (DSX100)" and set the anti-halation unit.

3 Adding Motorized Stage DSX-UFSSU(DSX100 only)

Attaching to the microscope frame

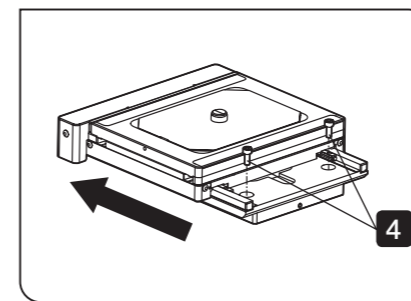
◎ For cautions or Tips when attaching the motorized stage, refer to Instruction Manual (p. 88 to p. 89).



1 Place the stage adapter so that the fixing screw **a** comes to the front, and loosen the fixing screw **a** lightly by using the hexagonal screw driver.

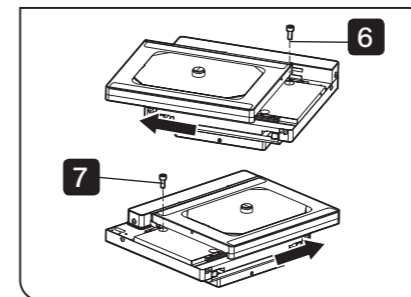
2 Mount the motorized stage gently on the stage adapter.

3 Push the motorized stage to the positioning pin **b** of the stage adapter toward the pushing direction and the right direction.



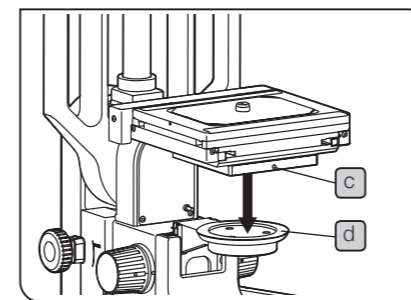
4 Slide the upper part of the stage forward (pushing direction) and tighten the stage attaching screws (2 positions) with the hexagonal wrench (4 mm for opposite side) provided with the stage.

5 Slide the upper part of the stage to the front (pulling direction) to return to the original position.



6 Slide the upper part of the stage to the left and tighten the stage attaching screws (1 position) with the hexagonal wrench (4 mm for opposite side) provided with the stage

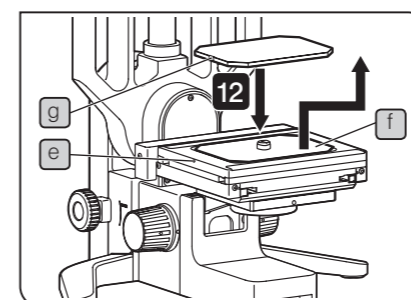
7 Slide the upper part of the stage to the right and tighten the stage attaching screws (1 position) with the hexagonal wrench (4 mm for opposite side) provided with the stage



8 Insert the round dovetail of the stage adapter into the round dovetail **d** of the stage holder gently so that the fixing screw **c** comes to front.

9 Adjust the stage so that the X-direction of the stage is parallel to the X-direction of the frame.

10 Tighten the fixing screw **c** with the hexagonal screw driver provided with the zoom head.



11 Loosen the fixing screw **e** on the side of the motorized stage by using the slotted screwdriver, and detach the stage plate **f**.

12 Insert the stage plate provided with the stage adapter into the motorized stage gently so that the notch **g** of the stage plate comes on the left side.

13 Tighten the fixing screw **e** on the side of the motorized stage by using the slotted screwdriver.

4 Change of Power Consumption of Control Box DSX-CB

< Before change >

p. 63

Item	Specification
Control box DSX-CB	Power consumption 80 VA

p. 65

Item	Specification
Control box DSX-CB	Power consumption 50 VA

< After change >

p. 63

Item	Specification
Control box DSX-CB	Power consumption 107 VA

p. 65

Item	Specification
Control box DSX-CB	Power consumption 82.6 VA