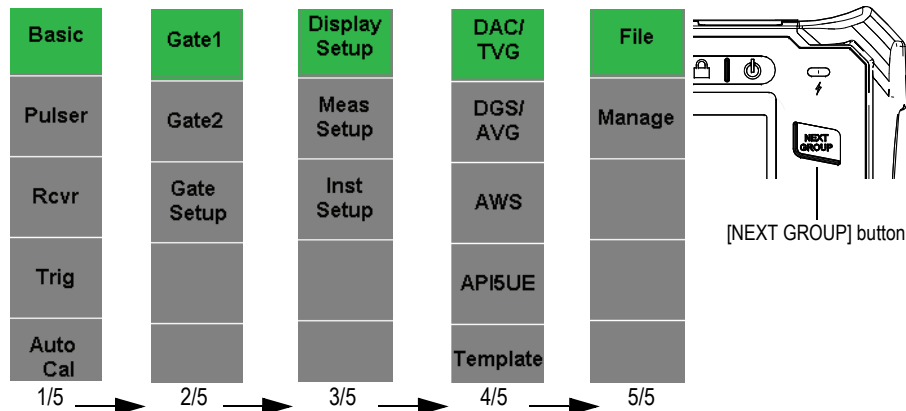


Group Menus

There are five menu groups on the EPOCH 600. Each menu group is identified by a number (1/5, 2/5, 3/5, 4/5, and 5/5). To scroll through the menu groups, use the [NEXT GROUP] key.



Measurement Symbols and Flags

The EPOCH 600 indicates that particular functions are active by displaying a set of flags within a thin, vertical bar to the right of the live-scan area, and at the top of the screen.

Flag	Description	Flag	Description
	Length units are in inches.		Calibration is active.
	Length units are in millimeters.		Curved surface correction (CSC) is active.
	Units are in microseconds.		Gate tracking (Echo-to-Echo) is active
	Indicates that the [2 <sup>nd</sup> F] key has been pressed.		Zoom is active.
	Gate 1 is in peak measurement mode.		[FREEZE] is active.
	Gate 2 is in peak measurement mode.		[PEAK MEM] is active.
	Gate 1 is in edge measurement mode.		[2 <sup>nd</sup> F], (PEAK HOLD) is active.
	Gate 2 is in edge measurement mode.		Waveform averaging is active.
	Gate 1 is in first-peak measurement mode.		Access to all instrument functions except [ON/OFF] is locked.
	Gate 2 is in first-peak measurement mode.		Indicates that a MicroSD card is installed.
	DAC is active.		Indicates that the MicroSD card is not installed.
	DGS is active.		Current settings are restricting waveform update rate below 60 Hz.
	AWS is active.		Indicates that the charger is connected and charging the battery.
	API 5UE is active.		Indicates that the instrument is running off of battery power.
	Template Storage is active.		

Olympus NDT, 48 Woerd Avenue, Waltham, MA 02453, USA  
www.olympus-ims.com

Printed in the United States of America • © 2010, 2011 by Olympus NDT, Inc. All rights reserved. All brands are trademarks or registered trademarks of their respective owners and third party entities.

DMTA-10008-01EN [U8778373] Rev. B



Printed on 55 % recycled, 30 % post consumer waste paper

Getting Started  
EPOCH 600 Ultrasonic Flaw Detector

Intended Use

The EPOCH 600 is designed to perform nondestructive inspections of industrial and commercial materials. Do not use the EPOCH 600 for any purpose other than its intended use.

Instruction Manual

Before using the EPOCH 600, please read the *EPOCH 600 — User’s Manual* (P/N: DMTA-10006-01EN) carefully and use the product as instructed. The *User’s Manual* contains important information on using this Olympus product safely and effectively. Keep the *User’s Manual* in a safe and convenient location for quick reference.

Safety Signal Words



Indicates an imminently hazardous situation calling attention to a procedure, practice, or the like, which, if not correctly performed or adhered to, could result in death or serious personal injury.



Indicates a potentially hazardous situation calling attention to a procedure, practice, or the like, which, if not correctly performed or adhered to, could result in death or serious personal injury.

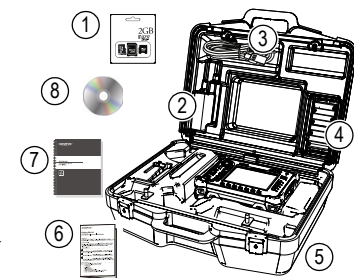


Indicates a potentially hazardous situation calling attention to a procedure, practice, or the like, which, if not correctly performed or adhered to, could result in minor or moderate personal injury, or material damage, particularly to the product, destruction of part or all of the product, or loss of data.

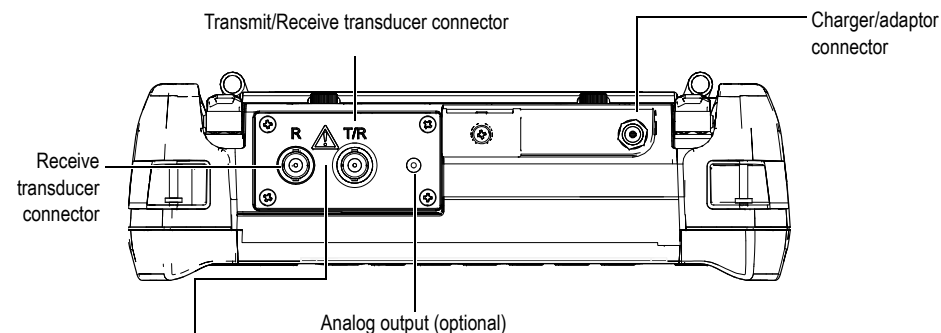
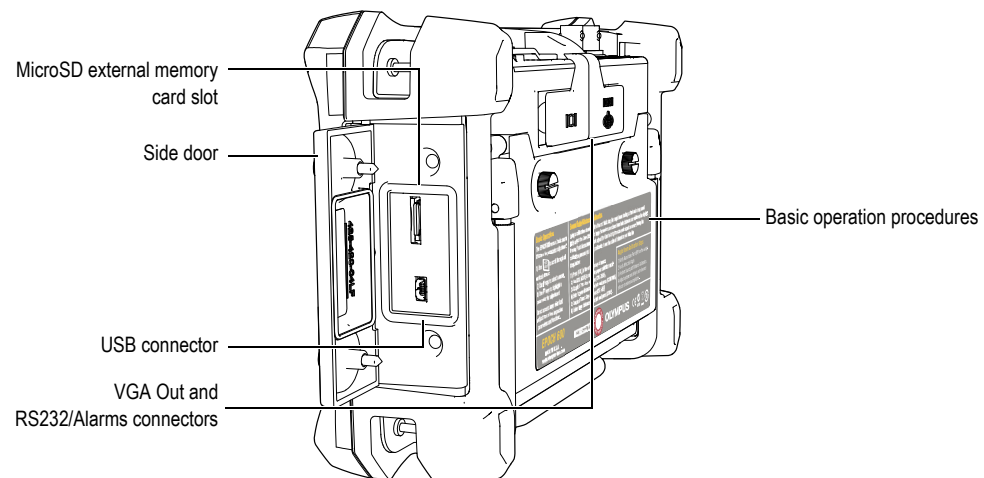
What’s in the Box

The EPOCH 600 comes standard with several key accessories:

1. Removable 2-GB MicroSD memory card and adaptors (P/N: MICROSD-ADP-2GB [U8779307]).
2. AC charger/adaptor (P/N: EP-MCA-X). Varies by configuration; must select a power cord.
3. Power cord.
4. Alkaline battery tray (P/N: 600-BAT-AA [U8780295]).
5. Instrument transport case (P/N: 600-TC [U8780294]).
6. *Getting Started* (P/N: DMTA-10008-01EN [U8778373]).
7. *EPOCH 600 Basic Operation Manual* (P/N: DMTA-10007-01EN [U8778365]) [printed].
8. *EPOCH 600 User’s Manual* (P/N: EP600-MANUAL-CD [U8778381]) [CD-ROM].



## Connections



### **DANGER**

To avoid the risk of an electric shock, do not touch the inner conductors of the T/R and R connectors. Up to 400 V can be present on the inner conductor.

## AC Charger/Adaptor

An EPOCH 600 AC charger/adaptor is provided with every instrument. This charger/adaptor is used to power the EPOCH 600 with or without a battery installed and charge the rechargeable lithium-ion battery while installed in the instrument.

### **CAUTION**

Use only the AC power cord supplied with the EPOCH 600. Do not use the AC power cord with other products.

## To Charge the Battery

The EPOCH 600 charges the internal battery while it is connected to the AC charger/adaptor.

### **WARNING**

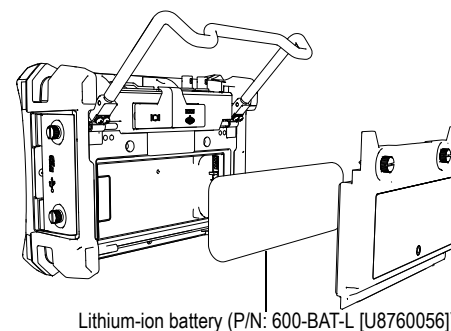
The EPOCH 600 charger/adaptor (P/N: EP-MCA-X) is designed to charge EPOCH 600 batteries only (P/N: 600-BAT-L [U8760056]). Do not insert any other type of battery, including alkaline batteries, into the battery tray (P/N: 600-BAT-AA [U8780295]), or use any other type of charger/adaptor. Doing so might cause an explosion or injury. Do not attempt to power or charge other electronic equipment with the EP-MCA charger/adaptor as doing so could create an explosion resulting in death or serious personal injury.

### **IMPORTANT**

The battery is not fully charged when the instrument is purchased. You must charge the battery for two to three hours before using it for the first time.

## To Replace the Lithium-Ion Battery

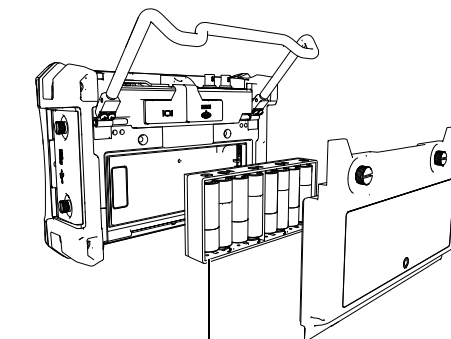
1. Unfold the instrument's pipe stand.
2. At the back of the instrument, loosen the two thumb screws that hold the battery compartment cover in place.
3. Remove the battery compartment cover.
4. Disconnect and remove the battery.
5. Install a new battery (P/N: 600-BAT-L [U8760056]) into the battery compartment, and then replace the battery compartment cover.



Lithium-ion battery (P/N: 600-BAT-L [U8760056])

## To Install the Alkaline Battery Tray

1. Unfold the instrument's pipe stand.
2. At the back of the instrument, loosen the two thumb screws that hold the battery compartment cover in place, and then remove the battery compartment cover.
3. Remove the lithium-ion battery (if installed).
4. Place 8 AA alkaline batteries into the alkaline battery tray.
5. Connect the alkaline battery tray connector (P/N: 600-BAT-AA [U8780295]) to the instrument.
6. Insert the alkaline battery tray into the battery compartment.
7. Reattach the battery compartment cover to the back of the instrument by firmly tightening the two thumb screws.



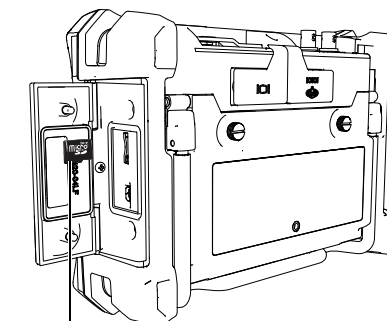
Alkaline battery tray (P/N: 600-BAT-AA [U8780295])

## To Install the MicroSD Card

1. Remove the card from its packaging.
2. Open the side door of the instrument.
3. Hold the card so with the MicroSD label facing toward the rear of the instrument.
4. Gently slide the card into the MicroSD slot until it clicks.

### **NOTE**

To remove the MicroSD card, gently push the card toward the instrument and release. The spring-loaded mechanism ejects the card so you can easily remove it from the unit.



MicroSD card (P/N: MICROSD-ADP-2GB [U8779307])

## Keypads and Direct-Access Keys

The EPOCH 600 is available in either an adjustment knob or a navigation pad version. Both configurations come with a standard English or international keypad. All keypads have identical functions. Pictograms have replaced text labels on several keys on the international keypad.

The label on each key indicates its primary function. Labels located directly above certain keys indicate a secondary key function. The [UP], [DOWN], [LEFT], and [RIGHT] arrow keys (navigation pad version) or the adjustment knob (adjustment knob version), together with the [CHECK] key, are used to navigate through the software and change parameter values.

