

Olympus BX53M

Materials Science Analysis at Your Fingertips

Select Observation Method

- Brightfield
- Polarizing
- Darkfield
- Differential interference contrast

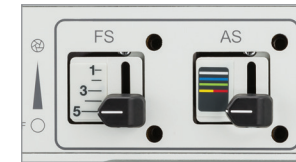
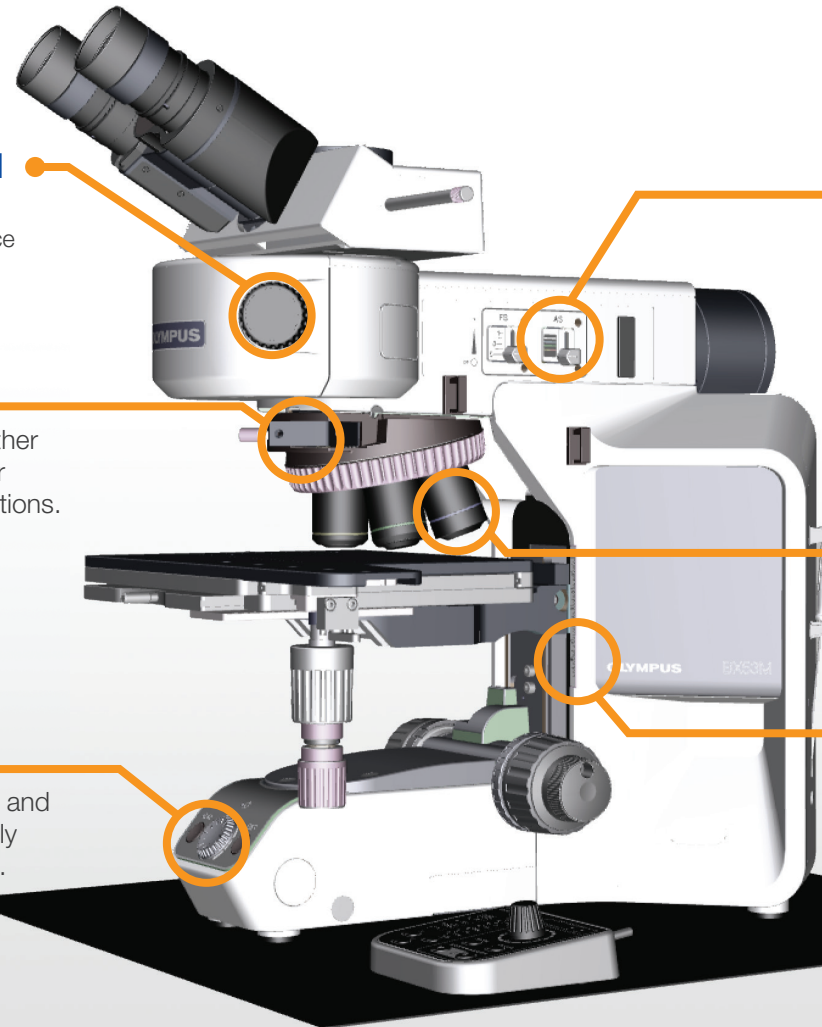
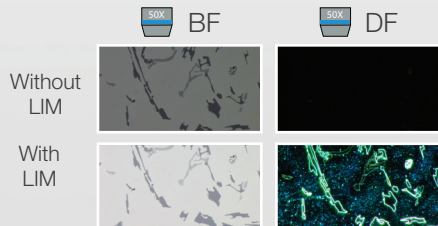
Try MIX Illumination

MIX combines directional darkfield with other observation methods, especially useful for detecting surface scratches and imperfections.



Consistent Illumination

Activate the Light Intensity Manager and the LED illumination will automatically adjust for objective and cube in use.



Adjust the Aperture Stop

Color coded legend makes it simple to use the correct settings.

| Aperture diaphragm knob position (color bar) | | | | |
|--|---------|-------|------------|------------|
| Wide Open | Red | Green | Light Blue | White |
| DF / FL | Yellow | | | |
| | 5x, 10x | 20x | 50x | 100x, 150x |

Olympus UIS2 Objectives

Select the objective for the best field of view and depth of focus for your sample.

Find Focus Quickly

Use the scale to set the stage height for samples of different sizes.

