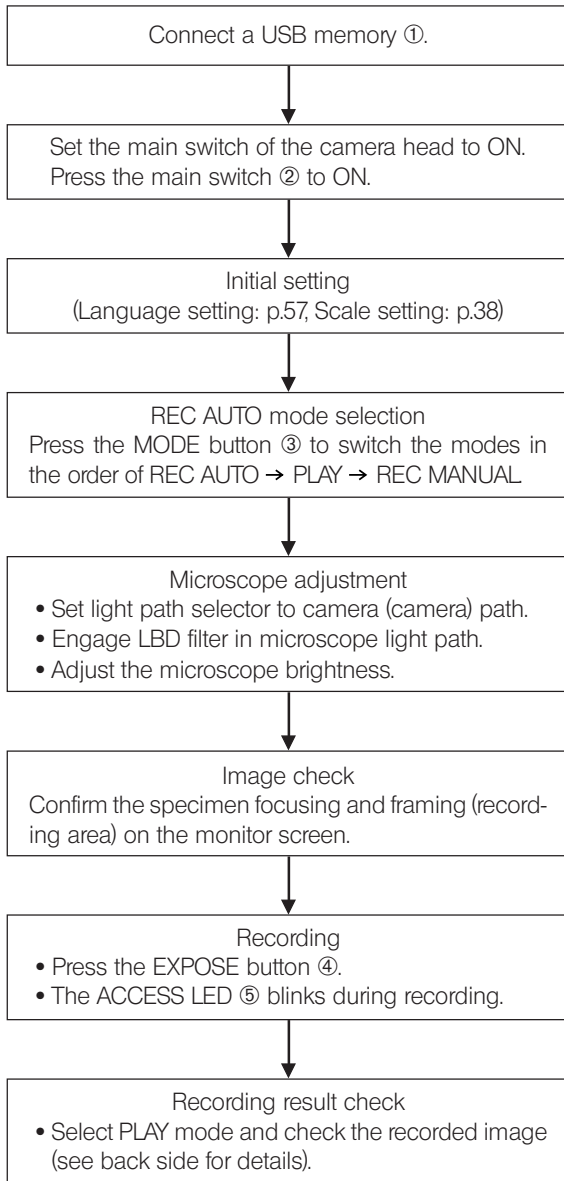


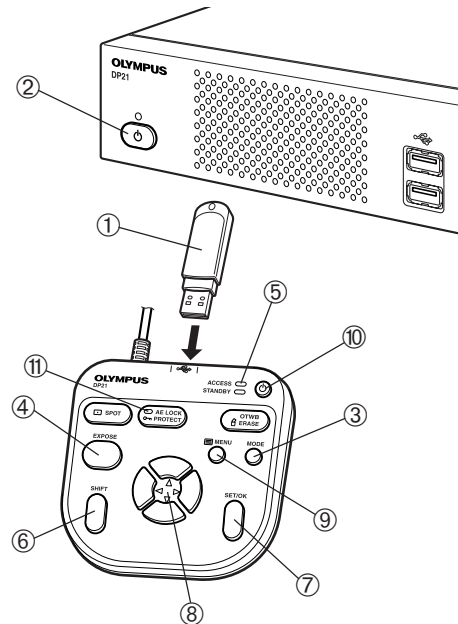
**Recording Procedure**



**Main factory setups**

- INFO display : ON (displayed)
- Recording mode : HQ (DP21)  
2448x1920, JPEG-LOW (DP26)
- Exposure correction : ±0
- White balance : AUTO
- Metering mode : 30% average
- Sharpness : NORMAL
- ISO : 100
- Image color setting : COLOR1

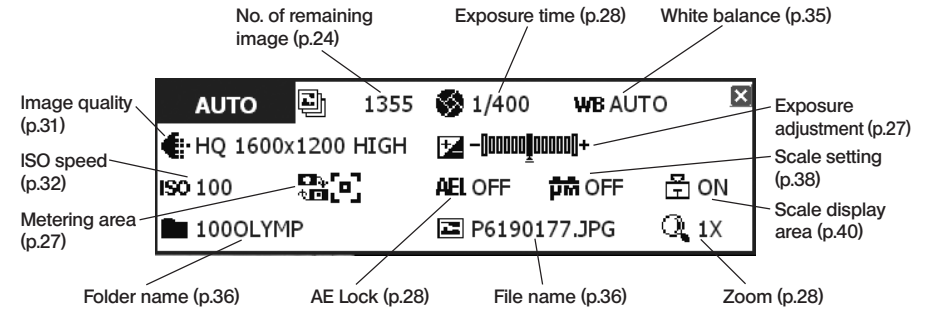
◎ For details on the settings, refer to the instruction manual.



**INFO display**

(The page numbers below are those in the instruction manual.)

The screen shown below is the INFO display when combined with DP21.



**Tips**

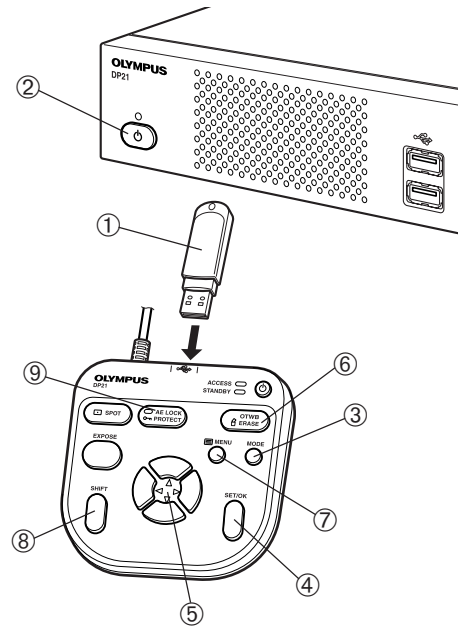
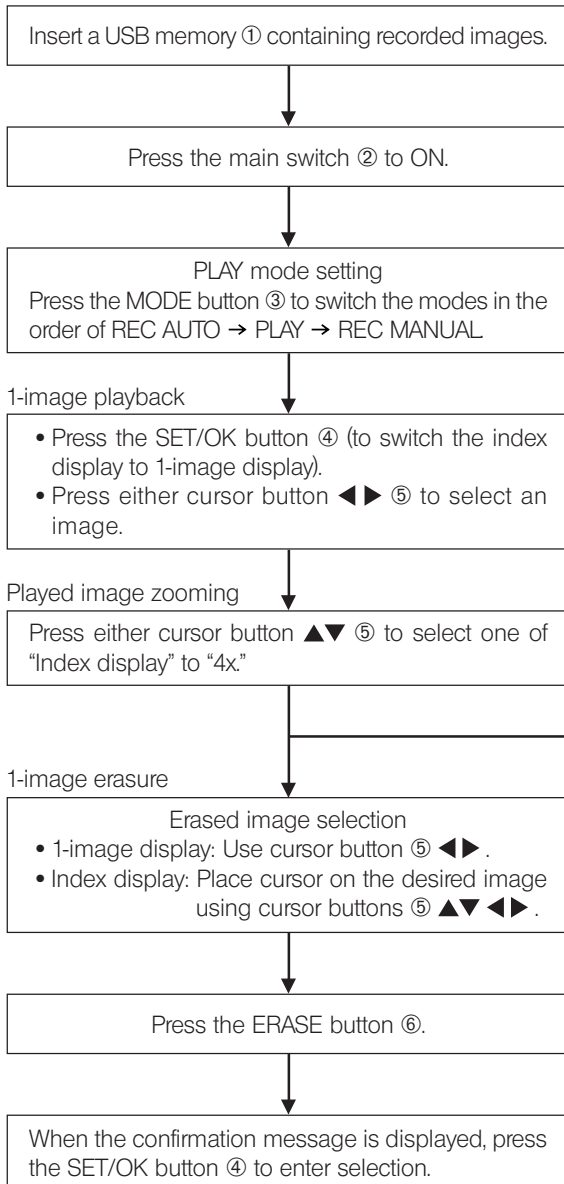
- Press the cursor buttons ▲▼ ⑧ to zoom into the image. Before zooming, be sure to hide the MENU display (use the MENU button ⑨ for view/hide switching).
- To scroll a zoomed image, press the cursor buttons ⑧ while holding the SHIFT button ⑥ or SET/OK button ⑦ depressed.
- Press the Shift + MENU buttons to hide the INFO display.
- If no image is displayed, first press the main switch ② and then press the MENU button ⑨ while the AE lock LED ⑩ lights (for about 1 second) during startup. The system will start up with the SVGA resolution (800x600).

**CAUTION**

- Do not connect a device other than the USB memory provided with the DP21-SAL to the USB port of the hand switch (if a USB device with high power consumption is connected, it may not function due to insufficient current supply).
- Always leave the main switch of the camera head to ON.
- After the system is turned OFF using the main switch ② of the control box, it cannot be turned ON using the standby switch of the hand switch. The main switch ② of the control box should be used in such a case (when the system is turned OFF using the standby switch ⑩ of the hand switch, the system can be turned ON with either switch).



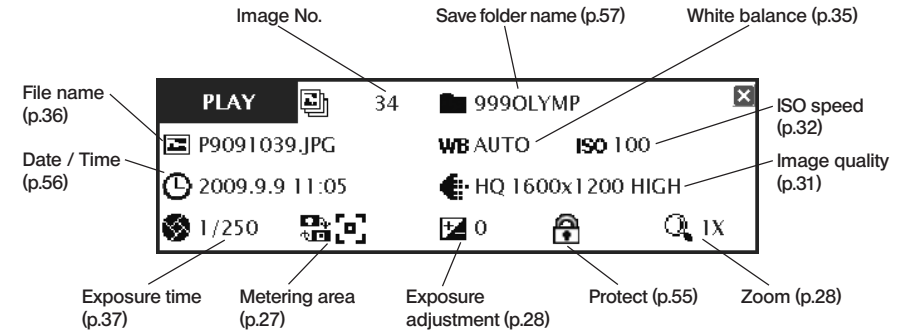
Playback Procedure



INFO display

(The page numbers below are those in the instruction manual.)

The screen shown below is the INFO display when combined with DP21.



Tips

- Hide the MENU display before zooming an image (the display can be viewed or hidden using the MENU button ⑦).
- To increase the zoom ratio, press cursor button ⑤ ▲.
- To decrease the zoom ratio, press cursor button ⑤ ▼.
- To scroll an image during 2x or 4x zooming, press cursor buttons ⑤ while holding the SHIFT button ⑧ or SET/OK button ④.
- To switch index display to 1-image playback display, select the desired image and press the SET/OK button ④.
- To turn the INFO display off, Press the Shift + MENU buttons.
- To protect image data (erasure prohibition), select the desired image and press the PROTECT button ⑨.

CAUTION

- The protected images cannot be erased. (They should be unprotected before attempting erasure.)
- When FORMAT is selected, all of the files in the USB memory, including the protected images as well as document files, will be erased.

All-image erasure

Press the MENU button ⑦ to display the MENU display, select [ERASE ALL FILES] and press the SET/OK button ④.



When the confirmation message is displayed, press the SET/OK button ④ to enter selection.