

## U-5RE-2

Quintuple Revolving Nosepiece



### SPECIFICATIONS

Global item code / Local code for USA		6350400/ U-R1052
Predecessor product information		None
Product Category		Nosepiece
Nosepiece	Method of rotating	Manual rotation
	Quantity of the holes	5
	Centerable	–
	Slider slot	–
	Encoded	–
	Power supply method	–
Attached method	Illuminator or Arm	slide dovetail
	Objective lens	W 20.32 mm × 0.706 mm
ESD function		–
Weight		About 520 g
Country of Origin		Japan

### SYSTEM ENVIRONMENT LIMITATIONS FOR OPERATION

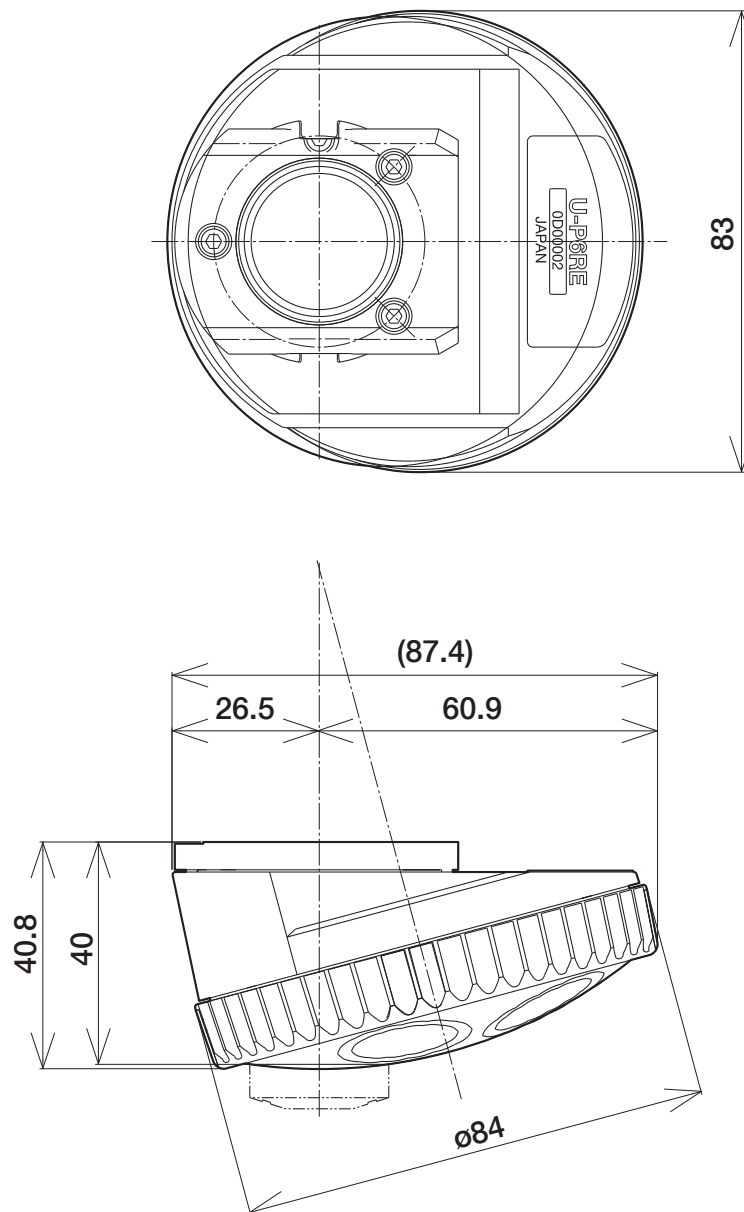
Environment	Indoor use
Temperature T0 [°C]	5 – 40
Humidity RH0 [%]	30 – 85

# U-5RE-2

## PACKING LIST

Item		Quantity
Main unit	U-5RE-2-2-B	1

## MAIN DIMENSION



(Unit: mm)

· Specifications and appearances are subject to change without any notice or obligation on the part of the manufacturer.