

U-D6BDREMC

Motorized Sextuple BD Revolving Nosepiece with Slider Slot for DIC



SPECIFICATIONS

Global item code / Local code for USA		N2248300 / U-D6BDREMC
Predecessor product information		None
Product Category		Nosepiece
Nosepiece	Method of rotating	Motorized rotation
	Quantity of the holes	6
	Centerable	–
	Slider slot	Available
	Encoded	6 holes
	Switching time	Within 0.65 s
	Power supply method	Supplied by Control box
Attached method	Illuminator or Arm	slide dovetail
	Objective lens	W 26 mm × 0.706 mm
	Slider	Slider size: 34 mm × 13.5 mm Length from the bottom surface of opening to mounting surface: 19 mm
	Cable connection	
	Control box(BX3M-CB)	Intermediate cable connection(BX3M-RMCBL: 0.2 m)
	Control box(BX3M-CBFM)	Intermediate cable connection(BX3M-RMECBL: 2.9 m)
ESD function		Available
Weight		About 1.4 kg
Country of Origin		Japan

SYSTEM ENVIRONMENT LIMITATIONS FOR OPERATION

Environment	Indoor use
Temperature T0 [°C]	0– 40 (ESD:15– 40)
Humidity RH0 [%]	30– 90 (ESD: 40 or more)

U-D6BDREMC

RESTRICTIONS

The motorized nosepiece cannot be rotated manually.

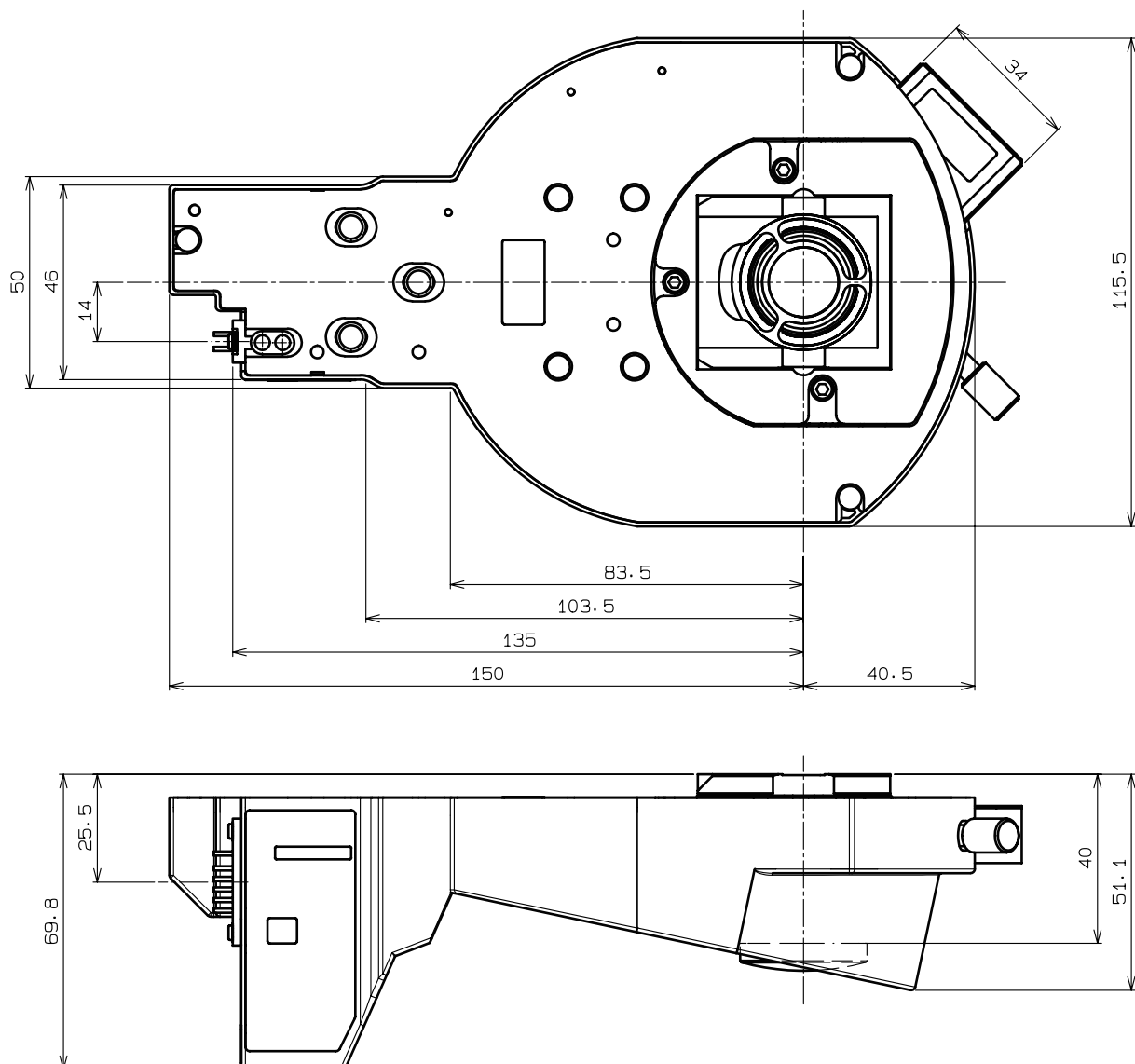
When detaching the motorized nosepiece from the microscope frame in order to replace the objective, turn OFF the power of the microscope frame in advance.

Attach the objective protection cap to the nosepiece hole that is not in use.

PACKING LIST

Item		Quantity
Main unit	U-D6BDREMC-B	1
Accessories	Attention tag	1

MAIN DIMENSION



(Unit: mm)

· Specifications and appearances are subject to change without any notice or obligation on the part of the manufacturer.