

## WHSZ10X-H

Eyepiece



### SPECIFICATIONS

Global item code / Local code for USA	N1198000 / 2-S110H
Predecessor product information	None
Field Number	22
Diopter correction	-8 – +5 (1/m)
Reticle	Reticle is removable. The engraved surface faces the microscope frame. (Reticle size: Outer diameter 24 mm, thickness 1.5 mm)
Mounting Method for tube	Fitting type
Weight	About 110 g
Country of Origin	Philippines

### SYSTEM ENVIRONMENT LIMITATIONS FOR OPERATION

Environment	Indoor use
Temperature T0 [°C]	5 – 40
Humidity RH0 [%]	30 – 85

### RESTRICTIONS

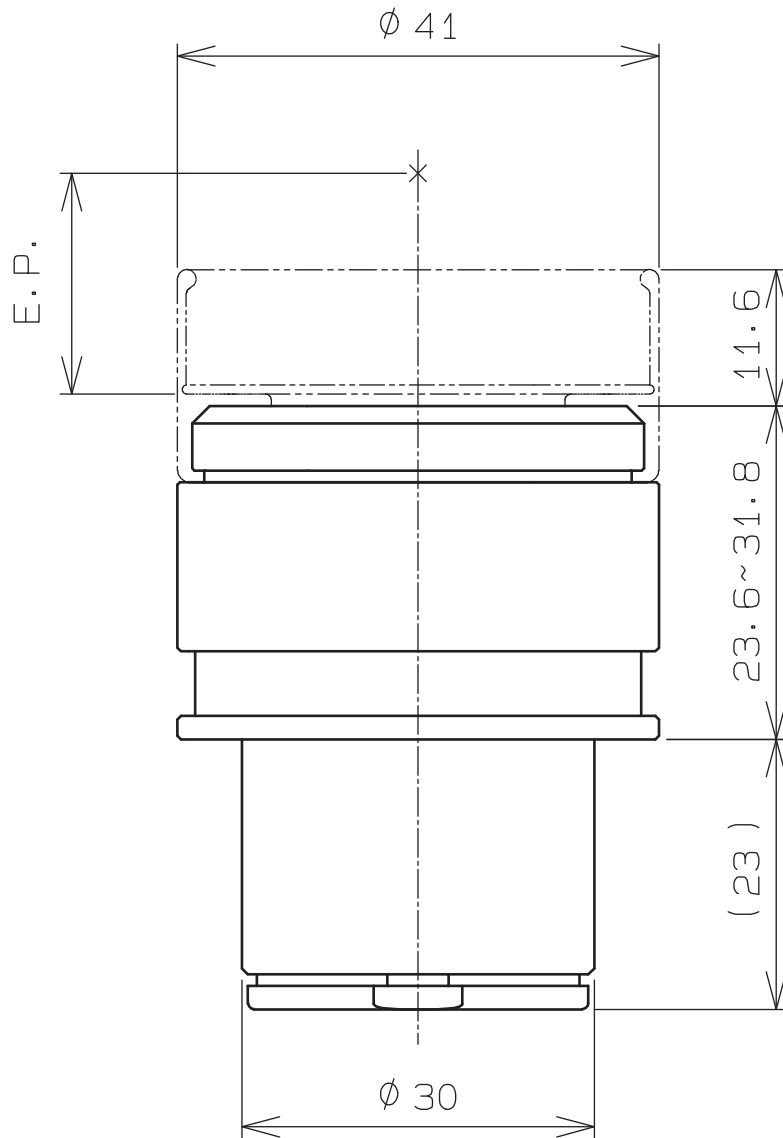
- Optical performance may deteriorate when an objective lens other than UIS2 is combined.
- Optical performance may deteriorate depending on the combination with a laser.
- Vignetting may occur depending on the length of the intermediate tube.

# WHSZ10X-H

## PACKING LIST

Item	Quantity
Eyepiece	1

## MAIN DIMENSION



(Unit: mm)

· Specifications and appearances are subject to change without any notice or obligation on the part of the manufacturer.