

U-MIXR-2

MIX slider for reflected light observation



- LED light source for darkfield observation to be inserted in the revolving nosepiece.
- The MIX observation is available by combining with brightfield observation.
- The change from U-MIXR is that the detachable color filter is equipped, which makes the illumination light closer to the white color than before.

SPECIFICATIONS

Global item code / Local code for USA	N6388700 / U-MIXR-2								
Predecessor product information	U-MIXR(N5233700)								
Product Category	Light Source Units								
Light source wavelength									
Color filter	Detachable *Use your Phillips screwdriver for M2								
Display	<p>LED indicator</p> <table border="1"> <thead> <tr> <th>Emission Color</th> <th>Display target</th> <th>● Light OFF</th> <th>○ Light ON</th> </tr> </thead> <tbody> <tr> <td>Blue</td> <td>Connection status</td> <td>The cable is not connected. (While the power is ON)</td> <td>The cable is connected. (While the power is OFF)</td> </tr> </tbody> </table>	Emission Color	Display target	● Light OFF	○ Light ON	Blue	Connection status	The cable is not connected. (While the power is ON)	The cable is connected. (While the power is OFF)
Emission Color	Display target	● Light OFF	○ Light ON						
Blue	Connection status	The cable is not connected. (While the power is ON)	The cable is connected. (While the power is OFF)						
Weight	83 g ±5 g								
Country of Origin	Japan								

U-MIXR-2

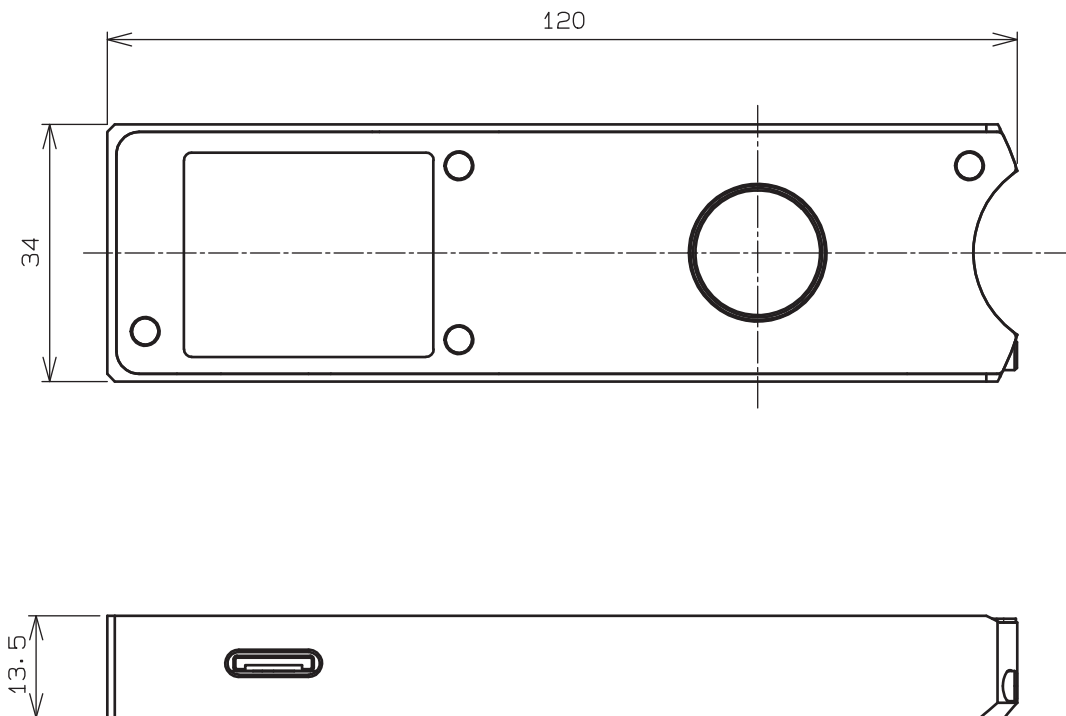
SYSTEM ENVIRONMENT LIMITATIONS FOR OPERATION

Environment	Indoor use
Temperature T0 [°C]	5 – 40
Humidity RH0 [%]	30 – 85

PACKING LIST

Item	Quantity
MIX Slider	1

MAIN DIMENSION



(Unit: mm)

· Specifications and appearances are subject to change without any notice or obligation on the part of the manufacturer.