

OmniScan SX

Getting Started Guide

Intended Use

The OmniScan SX is designed to perform nondestructive inspections of industrial and commercial materials. Do not use the OmniScan SX for any purpose other than its intended use.

Instruction Manual

Before use, thoroughly review the *OmniScan SX User's Manual* and the *OmniScan MXU Software User's Manual*. Use the product as instructed. The User's Manual contains essential information on how to use this Evident product safely and effectively. Keep this guide and the user's manuals in a safe, accessible location. The PDF versions of the *OmniScan SX User's Manual* and *OmniScan MXU Software User's Manual* are also available on the documentation USB drive that is shipped with the OmniScan SX, or can be downloaded at EvidentScientific.com.

Safety Signal Words



DANGER

Indicates an imminently hazardous situation calling attention to a procedure, practice, or the like, which, if not correctly performed or adhered to, could result in death or serious personal injury.



WARNING

Indicates a potentially hazardous situation calling attention to a procedure, practice, or the like, which, if not correctly performed or adhered to, could result in death or serious personal injury.

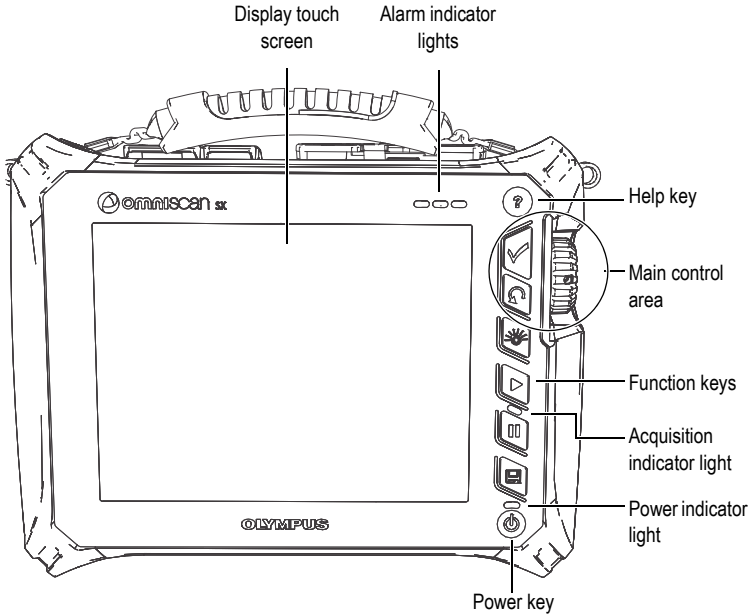


CAUTION

Indicates a potentially hazardous situation calling attention to a procedure, practice, or the like, which, if not correctly performed or adhered to, could result in minor or moderate personal injury, material damage, particularly to the product, destruction of part or all of the product, or loss of data.

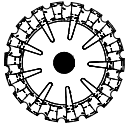


Front Panel

The front panel of the OmniScan SX contains all the main controls and indicators. This panel is divided into six areas: the touch-screen display, the main control area, the function keys, the Power key, the Help key, and the indicator lights.



Main Control Area

You can control the OmniScan SX using the main control area alone.

Element	Name	Description
	Scroll knob	Used to navigate through selections without the need for a keyboard, mouse, or touch screen. Turning the scroll knob in a clockwise direction shifts a selection to the left (horizontal list) or upward (vertical list).
	Accept key	Used to confirm a selection.
	Cancel key	Used to cancel the current selection, or to go back one level in the menu hierarchy.

Turning On and Off the OmniScan SX

To turn on the OmniScan SX

- ◆ Press the Power key for one second.

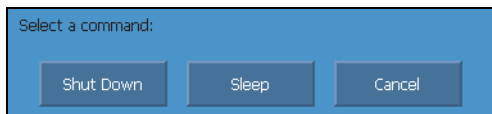
The system starts up and performs a memory check.

If the system encounters a problem during its start-up phase, the power indicator light will indicate the nature of the problem using a color code. Refer to the *OmniScan SX User's Manual* for more details.

To turn off the OmniScan SX

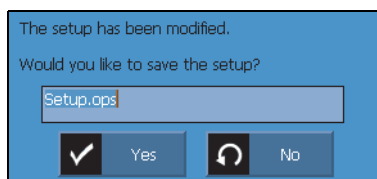
1. Quickly press the Power key.

The “Select a command” message appears.



2. Select **Shut Down**.

A message asking you if you want to save your setup appears.



3. To save your setup, select **Yes**.

NOTE

You can also turn off the OmniScan SX by pressing and holding the Power key for ten seconds. However, your setup will NOT be saved.

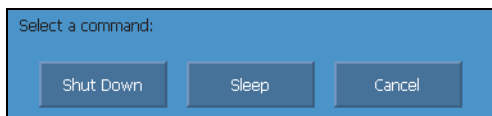
Sleep Mode

The OmniScan SX can be put into sleep mode when not in use to conserve power.

To use the sleep mode

1. With the OmniScan SX turned on, quickly press the Power key.

The “Select a command?” message appears.



2. Select **Sleep**.

3. To disable the sleep mode, quickly press the Power key.

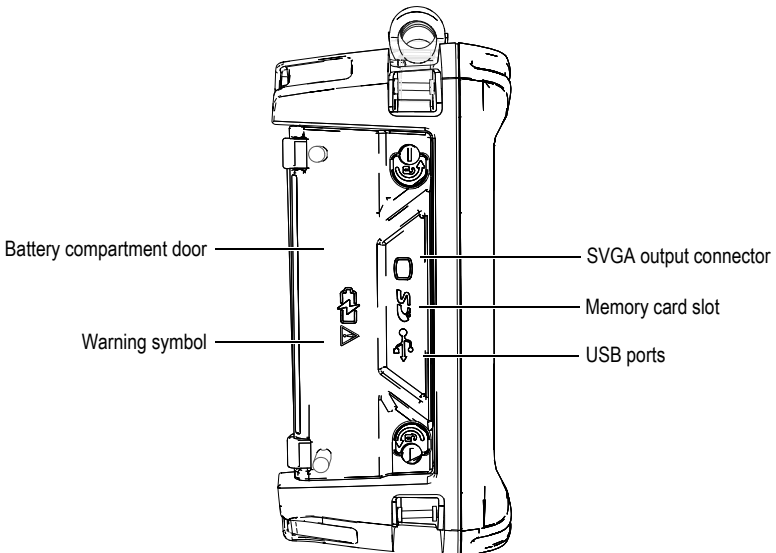
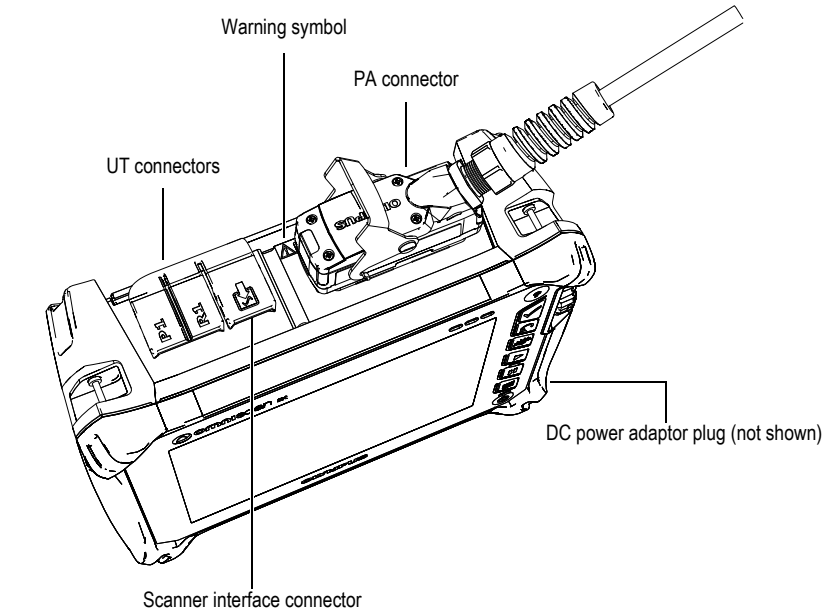
The OmniScan SX returns to its previous state (inspection or analysis mode).

Connections



DANGER

To reduce the risk of electric shock, avoid touching the inner conductor of the connectors. Up to 340 V can be present on the inner conductor of the UT connectors, and up to 115 V can be present on the PA connector. The warning symbol near the PA and UT connectors signals this electric shock risk.



Warnings on Battery Use

The warning symbol on the battery compartment door signals that precautions must be taken concerning the battery.

Carefully read and observe the following warnings on battery use.



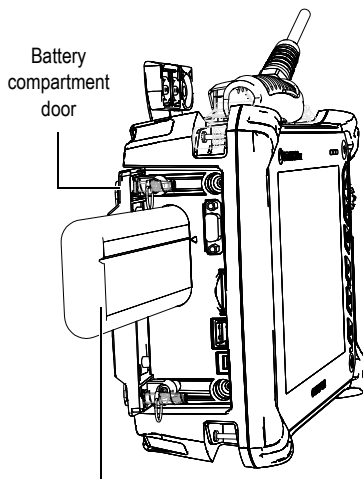
WARNING

- Do not open, crush, or perforate batteries; doing so could cause injury.
 - Do not incinerate batteries. Keep batteries away from fire and other sources of extreme heat. Exposing batteries to extreme heat (over 80 °C) could result in an explosion or personal injury.
 - Do not drop, hit, or otherwise abuse a battery, as doing so could expose the cell contents, which are corrosive and explosive.
 - Do not short-circuit the battery terminals. A short circuit could cause injury and severe damage to a battery, making it unusable.
 - Do not expose a battery to moisture or rain; doing so could cause an electric shock.
 - Only use the OmniScan SX or an external charger approved by Evident to charge the battery.
 - Do not recharge a battery unless the indicators light up when the capacity check button on the battery is pressed. Doing so could be dangerous.
 - Do not store batteries that have less than 40 % remaining charge. Recharge batteries to between 40 % and 80 % capacity before storing them.
 - During storage, keep the battery charged to between 40 % and 80 %.
 - Do not leave the battery in the OmniScan SX during instrument storage.
-

Replacing the Battery

To replace the lithium-ion battery

1. On the left side panel, turn the two quarter-turn latches counterclockwise to open the battery compartment door.
2. Remove the battery by pulling on the tab.
3. Insert a new battery. Make sure that the groove on the battery is aligned with the small edge inside the battery compartment.
4. Close the battery compartment door.



Lithium-ion battery (P/N: OMNI-A-BATT2 [U8760059])

Charging the Battery



WARNING

The OmniScan SX DC power adaptor (P/N: OMNI-A-AC [U8767093]) is designed to charge OmniScan SX battery only (P/N: OMNI-A-BATT2 [U8760059]). Do not attempt to charge any other type of battery, or use any other chargers/adaptors. Doing so could cause an explosion or injury. Do not attempt to power or charge other electronic equipment with the OMNI-A-AC DC power adaptor, as doing so could cause an explosion resulting in death or serious personal injury.

To charge the battery

- ◆ Connect the OmniScan SX to a proper DC power adaptor.

Battery charging is performed as follows:

- When the OmniScan SX is turned off:
 - When the OmniScan SX is connected to a proper DC power source and is turned off, it will automatically recharge the battery.
The power indicator light flashes orange to indicate that the battery is currently being recharged. When the charge is complete, the power indicator light emits a steady orange light. The battery can take up to 3 hours to fully charge from a completely discharged state (less than 5 % remaining charge).
- When the OmniScan SX is running:
 - When the OmniScan SX is running and connected to a proper DC power source, it will automatically recharge the battery. The indicator for the battery is green.
Because the OmniScan SX is running, less power is available from the DC source to recharge the battery. As such, it could take a minimum of 8 hours to charge a completely discharged battery.

NOTE

For more information about battery charge status, refer to the *OmniScan SX User's Manual*.






Battery Status Indicators

When the OmniScan SX is running, the battery status is shown by an indicator located on the upper-left corner of the touch-screen display. This indicator displays the amount of power remaining in the battery using one of the two following methods:

- The remaining operational time is displayed inside the battery status indicator. This information can only be displayed accurately after the OmniScan SX has been operating for approximately 15 minutes.
- The charge indicator (bar) inside the battery status indicator provides an approximation of the amount of power remaining for that battery.

If you attempt to start up the OmniScan SX using a battery with a charge too low for operation, the power indicator light rapidly flashes red for approximately three seconds. To operate the OmniScan SX, replace the battery or plug in the DC power adaptor.

The OmniScan SX software keeps the user informed of the battery status. The table below describes some of the battery status indicators available:

Indicator	Outline	Fill	Meaning
	Dotted	N/A	There is no battery in that compartment.
	Blue	Blue	The battery is functioning properly.
	Yellow (blinking)	Blue	The battery is charging.
	Red (blinking)	Blue	The battery charge is critically low (less than 10 %). A beeping noise is emitted.
	N/A	Yellow	The OmniScan SX is being powered externally through the DC adaptor.

NOTE

For other status indications, refer to the *OmniScan SX User's Manual*.

EVIDENT CANADA, 3415, Rue Pierre-Ardouin, Québec (QC) G1P 0B3 Canada
EvidentScientific.com

Printed in Canada • © 2022 by Evident. All rights reserved.

All brands are trademarks or registered trademarks of their respective owners and third party entities.



Part ID: U8778632



Printed on Rolland
Hitech50, which contains
50 % post-consumer fiber.

DMTA-20044-01EN
Rev. B, September 2022

