

Industrial



Conductivity Probes and Standards



Conductivity Probes and Standards

Evident conductivity probes* with POWERLINK™ technology are designed to be used with NORTEC™ 600 series flaw detectors. They are used for sorting non-ferromagnetic metals and alloys, determining heat-treatment condition, or finding heat damaged areas. The NORTEC 600 series flaw detectors enable measurement of conductivity displayed in a digital readout in either %IACS or MS/m while at the same time measuring a coating or liftoff factor in inches or millimeters. Measures coating thicknesses up to 0.025 inches or 0.635 millimeters.

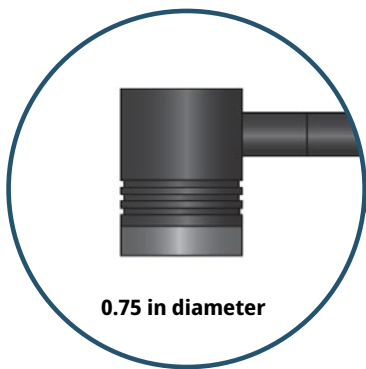
*Not compatible with the NORTEC 600 base model. Requires the NORTEC 600C, 600S, or 600D model for operation.

Conductivity Probes

Part Number	Item Number	Type	Frequency (kHz)	Height	Length	Connector
9222340	U8690027	Right Angle	60	19.1 (0.75)	25.4 (1.00)	16-Pin LEMO
9222341	U8690028	Right Angle	480	19.1 (0.75)	25.4 (1.00)	16-Pin LEMO
9222360	U8690029	Straight	60	7.9 (0.31)	69.9 (2.75)	16-Pin LEMO
9222361	U8690030	Straight	480	7.9 (0.31)	69.9 (2.75)	16-Pin LEMO

Conductivity Standards

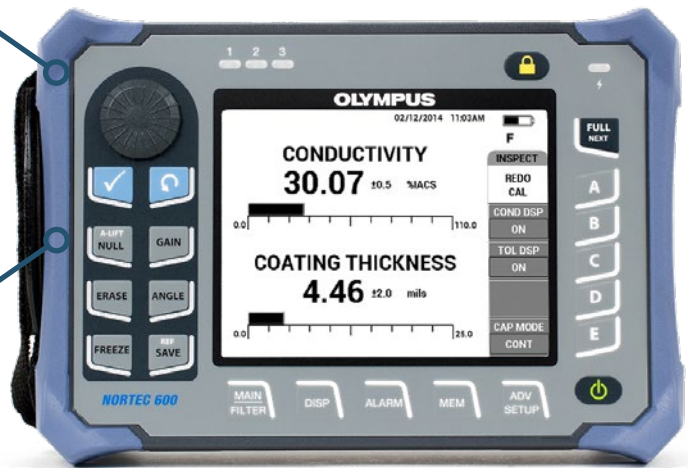
Part Number	Item Number	IACS% Value #1 (Tolerance %)	IACS% Value #2 (Tolerance %)	IACS% Value #3 (Tolerance %)	IACS% Value #4 (Tolerance %)	IACS% Value #5 (Tolerance %)
CREF2-04100	U8861784	4.6 (±0.4)	100.0 (±10)	N/A	N/A	N/A
CREF2-1472	U8861881	17.2 (±1.5)	42.7 (±4.4)	N/A	N/A	N/A
CREF2-2932	U8861830	29.3 (±3)	32.0 (±3.3)	N/A	N/A	N/A
CREF3-0129100	U8861910	1.5 (±0.1)	29.3 (±3)	100.0 (±10)	N/A	N/A
CREF3-172942	U8861675	17.2 (±1.5)	29.3 (±3)	42.7 (±4.4)	N/A	N/A
CREF3-172959	U8861822	17.2 (±1.5)	29.3 (±3)	59.9 (±6)	N/A	N/A
CREF3-294259	U8861924	29.3 (±3)	42.7 (±4.4)	59.9 (±6)	N/A	N/A
CREF4-17294259	U8861629	17.2 (±1.5)	29.3 (±3)	42.7 (±4.4)	59.9 (±6)	N/A
CREF4-173259100	U8861982	17.2 (±1.5)	32.0 (±3.3)	59.9 (±6)	100.0 (±10)	N/A
CREF5-01293242100	U8861902	1.5 (±0.1)	29.3 (±3)	32.0 (±3.3)	42.7 (±4.4)	100.0 (±10)
CREF5-04174559100	U8861929	4.6 (±0.4)	17.2 (±1.5)	45.7 (±4)	59.9 (±6)	100.0 (±10)



0.75 in diameter



0.31 in diameter



- EVIDENT CORPORATION is ISO14001 certified.
- EVIDENT CORPORATION is ISO9001 certified.

• All company and product names are registered trademarks and/or trademarks of their respective owners.
 • Specifications and appearances are subject to change without any notice or obligation on the part of the manufacturer.
 • NORTEC and POWERLINK are trademarks of Evident Corporation or its subsidiaries.

EvidentScientific.com

EVIDENT

EVIDENT CORPORATION
 Shinjuku Monolith, 2-3-1 Nishi-Shinjuku, Shinjuku-ku, Tokyo 163-0910, Japan

OLYMPUS