

# U-D6BDRES-S

Coded Sextuple BF/DF Revolving Nosepiece with Slider Slot for DIC



## SPECIFICATIONS

Global item code / Local code for USA		N5233000 / U-R275CN
Predecessor product information		None
Product Category		Revolving Nosepieces
Nosepiece	Method of rotating	Manual rotation
	Quantity of the holes	6
	Centerable	NA
	Slider slot	Available
	Encoded	6 holes
	Power supply method	Supplied by Control box
Attached method	Illuminator or Arm	Slide dovetail
	Objective lens	W 26 mm × 0.706 mm
	Slider	Slider size: 34 mm × 13.5 mm Length from the bottom surface of opening to mounting surface: 19 mm
	Cable connection	Connector
ESD function		Available
Cable length		480 mm
Weight		0.9 kg
Country of Origin		Japan

## SYSTEM ENVIRONMENT LIMITATIONS FOR OPERATION

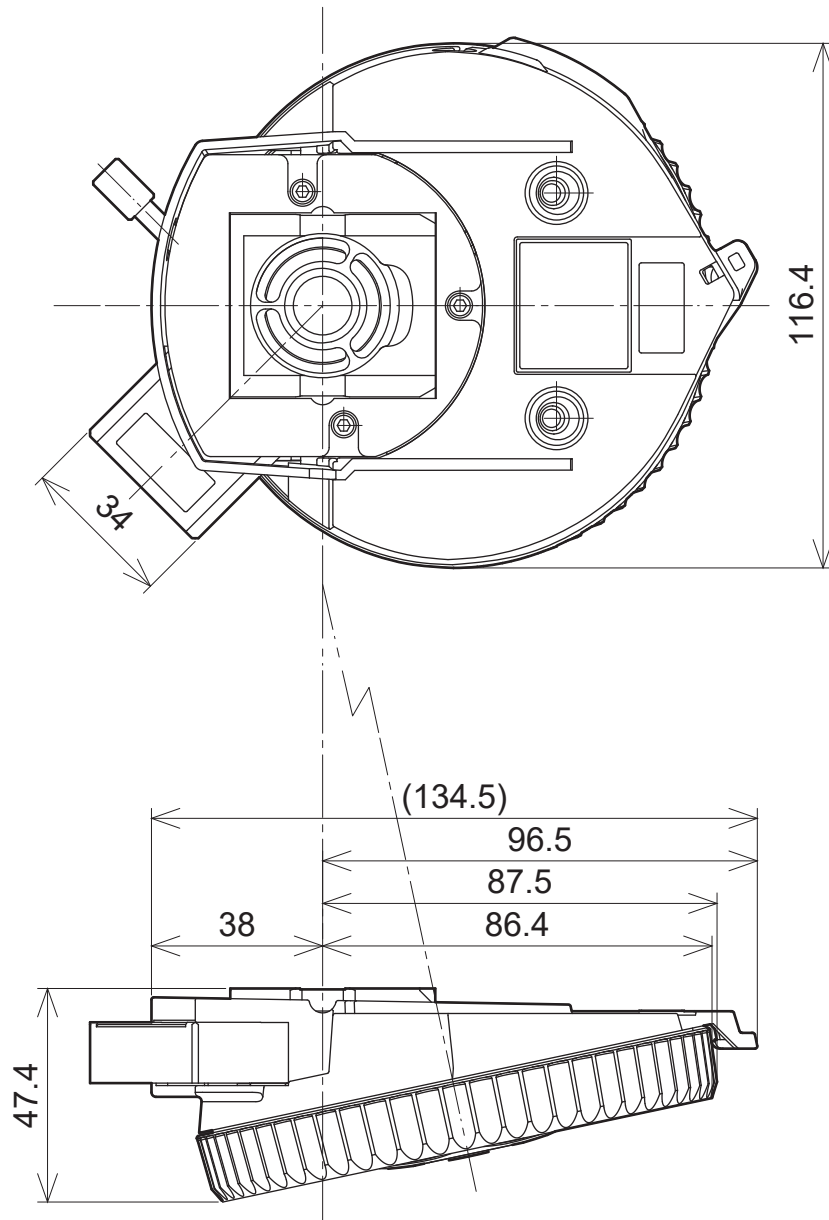
Environment	Indoor use
Temperature T0 [°C]	0 – 40
Humidity RH0 [%]	30 – 90

# U-D6BDRES-S

## PACKING LIST

Item	Quantity
Revolving Nosepiece	1

## MAIN DIMENSION



(Unit: mm)

· Specifications and appearances are subject to change without any notice or obligation on the part of the manufacturer.