

U-D7RES

Coded Septuple Nosepiece with Slider Slot for DIC



SPECIFICATIONS

Global item code / Local code for USA	N5742100 / U-D7RES-1-2	
Predecessor product information	None	
Product Category	Revolving Nosepieces	
Nosepiece	Method of rotating	Manual rotation
	Quantity of the holes	7
	Centerable	NA
	Slider slot	Available
	Encoded	7 holes
	Power supply method	Supplied by Control box
Attached method	Illuminator or Arm	Slide dovetail
	Objective lens	W 20.32 mm × 0.706 mm
	Slider	Slider size: 34 mm × 13.5 mm Length from the bottom surface of opening to mounting surface: 19 mm
	Cable connection	Connector
ESD function	N/A	
Cable length	480 mm	
Weight	1.1 kg	
Country of Origin	Japan	

SYSTEM ENVIRONMENT LIMITATIONS FOR OPERATION

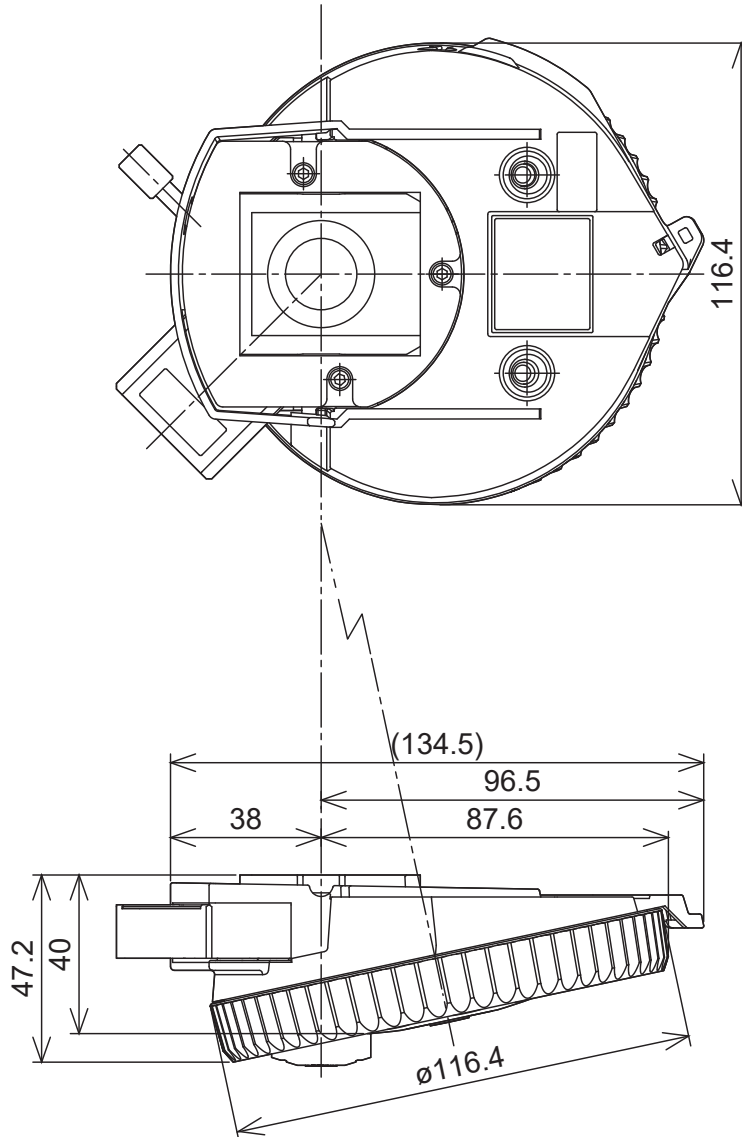
Environment	Indoor use
Temperature T0 [°C]	0 – 40
Humidity RH0 [%]	30 – 90

U-D7RES

PACKING LIST

Item	Quantity
Revolving Nosepiece	1
Cable Holder	2
Auxiliary Slide Holder	1

MAIN DIMENSION



(Unit: mm)

· Specifications and appearances are subject to change without any notice or obligation on the part of the manufacturer.