

BX3M-RLAS-S

Coded Reflected Light Illuminator for BF/DF for the BX53M Frame



SPECIFICATIONS

| | | | | |
|---------------------------------------|---------------------------|---|------------------------------------|--|
| Global item code / Local code for USA | | N5232700 / 5-UR745 | | |
| Predecessor product information | | None | | |
| Product Category | | Reflected light illuminator | | |
| Observation method | | Brightfield/Darkfield (Reflected), DIC/simple polarization (Reflected), Transmitted Observation | | |
| Illuminator | Field number | FN26.5 | | |
| | Illuminator magnification | | 1X | |
| | Mirror unit turret | Motion | Dial rotation (click stop) | |
| | | Quantity of observation position | 3 positions (BF, DF, DIC/POL) | |
| | | Encoded | 3 positions | |
| | Built-in analyzer | Motion | Dial rotation (with lock function) | |
| | Field diaphragm | Motion | Slide knob | |
| | | Centerable | Available | |
| | Aperture diaphragm | Motion | Slide knob | |
| | | Centerable | Available | |
| Light source | | Built-in LED light | | |
| Power supply method | | Supplied by Control box | | |
| Attached method | Frame | Clamping screw | | |
| | Nosepiece | Slide dovetail | | |
| | Observation tube | Dovetail | | |
| | Slider insertion slot | Slider size: 32 mm × 7.5 mm (click stop) | | |
| | Cable connection | Control box (BX3M-CB) | Via BX53MRF/BX53MTRF | |
| ESD function | | Available | | |
| Weight | | 3.6 kg | | |
| Country of Origin | | China | | |

BX3M-RLAS-S

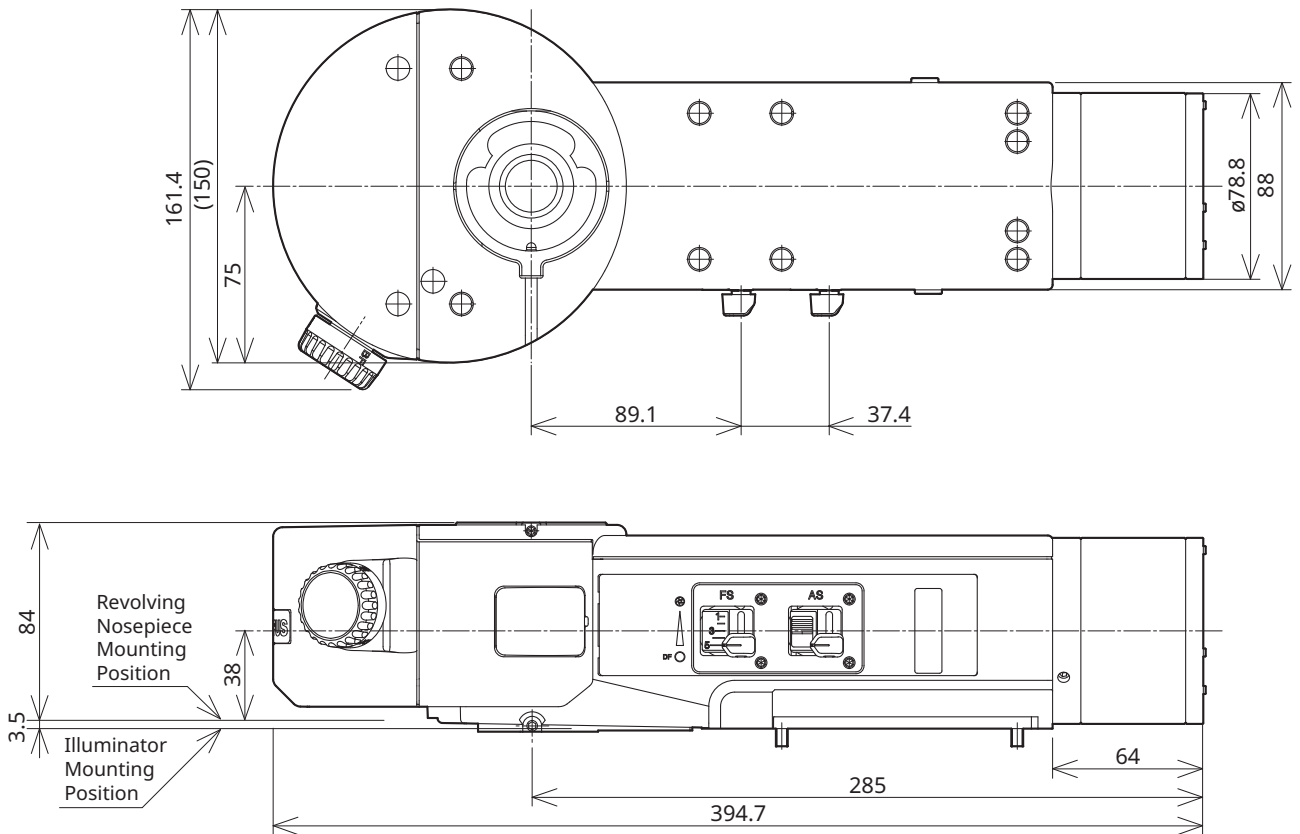
SYSTEM ENVIRONMENT LIMITATIONS FOR OPERATION

| | |
|------------------------------------|---|
| Environment | Indoor use |
| Temperature T0 [°C] | 5 - 40 (ESD: 15 - 40) |
| Humidity RH0 [%] | Maximum 80% (up to 31°C) (no condensation) Usable humidity declines linearly as temperature rises above 31°C 34°C (70%) to 37°C (60%) to 40°C (50%) (ESD: 40 or more) |
| Power supply and voltage stability | ±10% |
| Pollution level (IEC60664) | 2 |
| Over voltage category (IEC60664) | II |

PACKING LIST

| Item | Quantity |
|-----------------------------|----------|
| Reflected light illuminator | 1 |
| Allen wrench | 1 |
| Cap | 4 |

MAIN DIMENSION



(Unit: mm)

· Specifications and appearances are subject to change without any notice or obligation on the part of the manufacturer.