

# BX3M-URAS-S

Coded Universal Reflected Illuminator for the BX53M Frame



## SPECIFICATIONS

Global item code / Local code for USA		N5232600 / 5-UR733	
Predecessor product information		None	
Product Category		Reflected light illuminator	
Observation method		Fluorescence (Reflected), Brightfield/Darkfield (Reflected), DIC/simple polarization (Reflected), Infrared observations (Reflected), Transmitted Observation	
Illuminator	Field number	FN26.5	
	Illuminator magnification		1X
	Mirror unit turret	Motion	Manual rotation (click stop)
		Quantity of mirror unit position	4 positions
		Encoded	4 positions
	Field diaphragm	Motion	Slide knob
		Centerable	Available
	Aperture diaphragm	Motion	Slide knob
		Centerable	Available
	Shutter	Motion	Slider engagement/disengagement
	Indicator sheet	Attaching	Insert into the pocket of the turret cover
	Antiglare plate	Attaching	Plug into the turret cover
	Light shield sheet	Attaching	Insert into the space on the stage
	Power supply method		Supplied by Control box
Attached method	Frame	Clamping screw	
	Nosepiece	Slide dovetail	
	Observation tube	Dovetail	
	Lamp house	Fitting mount	
	Mirror unit	Snap fit (4 positions)	
	Analyzer insertion slot	Slider size: 32 mm × 7.5 mm (click stop)	
	Polarizer insertion slot	Slider size: 32 mm × 7.5 mm (click stop)	
	Slider insertion slot	Quantity of slider slot	2 slots
			Slider size: 32 mm × 7.5 mm (click stop)
	Cable connection	Control box (BX3M-CB)	Via BX53MRF/BX53MTRF

# BX3M-URAS-S

ESD function	Available
Weight	3.2 kg
Country of Origin	China

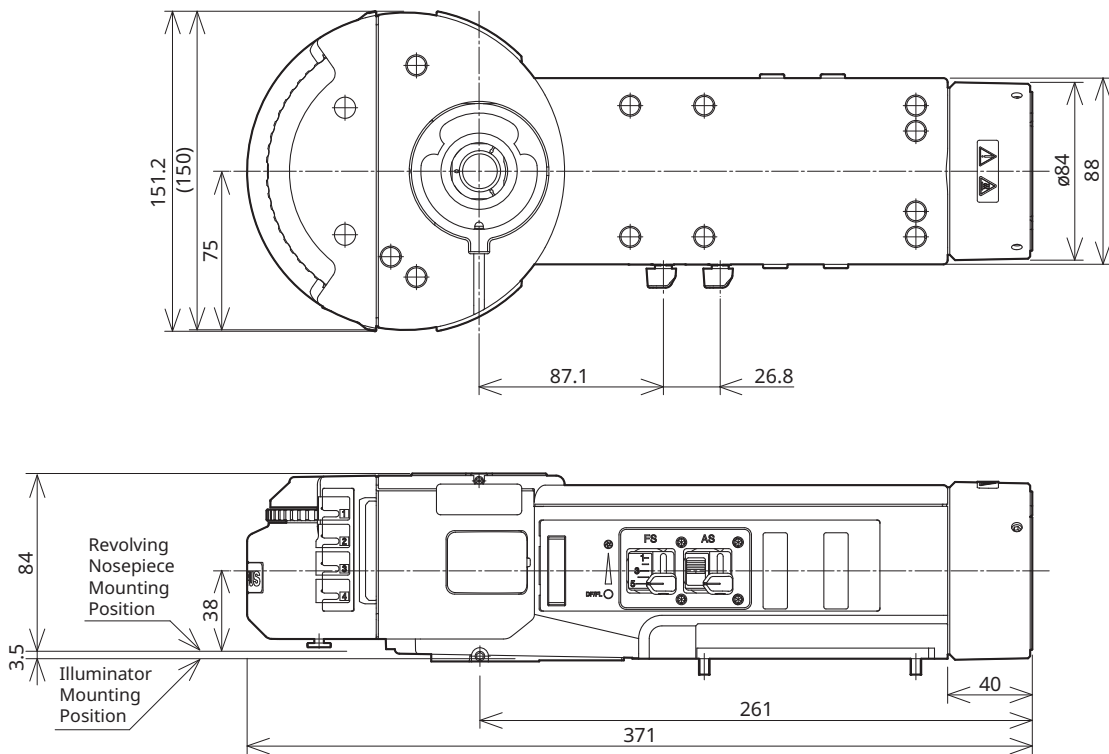
## SYSTEM ENVIRONMENT LIMITATIONS FOR OPERATION

Environment	Indoor use
Temperature T0 [°C]	5 - 40 (ESD: 15 - 40)
Humidity RH0 [%]	Maximum 80% (up to 31°C) (no condensation) Usable humidity declines linearly as temperature rises above 31°C 34°C (70%) to 37°C (60%) to 40°C (50%) (ESD: 40 or more)
Power supply and voltage stability	±10%
Pollution level (IEC60664)	2
Over voltage category (IEC60664)	II

## PACKING LIST

Item	Quantity
Reflected light illuminator	1
Antiglare plate	1
Light shield sheet	1
Shutter slider	1
Indicator sheet	1
Allen wrench	1
Cap	4

## MAIN DIMENSION



(Unit: mm)

· Specifications and appearances are subject to change without any notice or obligation on the part of the manufacturer.