

BX3-RFAS

Coded Fluorescence Illuminator for the BX3 Series



SPECIFICATIONS

Global item code / Local code for USA		N5741700 / BX3-RFAS-1-2	
Predecessor product information		None	
Product Category		Reflected light illuminator	
Observation method		Reflected fluorescence, Transmitted observation	
Illuminator	Field number	FN22	
	Illuminator magnification	1X	
	Mirror unit turret	Motion	Manual rotation (click stop)
		Quantity of mirror unit position	8 positions
		Encoded	8 positions
	Field diaphragm	Motion	Push-Pull lever
		Centerable	Available
	Aperture diaphragm	Motion	Push-Pull lever
		Centerable	N/A
	Shutter	Motion	Slide lever (Provided on both sides.) engagement/disengagement
	ND filter slider	Motion	Slide in/out (click stop)
		Quantity of filter position	4 positions
		Filter type	<ul style="list-style-type: none"> • Through hole • ND1.5: Transmittance 1.5% • ND6: Transmittance 6% • ND25: Transmittance 25%
	Inscription plates	Attaching	Insert into the pocket of the turret cover
	Antiglare plate	Attaching	Plug into the turret cover
	Light shield sheet	Attaching	Insert into the space on the stage
Power supply method		Supplied by Control box	
Attached method	Frame	Clamping screw	
	Nosepiece	Slide dovetail	
	Observation tube	Dovetail	
	Lamp house	Fitting mount	
	Mirror unit	Snap fit (8 positions)	
	Analyzer insertion slot	Slider size: 32mm × 7.5mm (click stop)	
	Polarizer insertion slot	Slider size: 32mm × 7.5mm (click stop)	
	Cable connection	Control box (BX3-CBH)	via BX63
		Control box (BX3-CBM)	via BX3-CBS

BX3-RFAS

ESD function	N/A
Weight	3.9 kg
Country of Origin	China

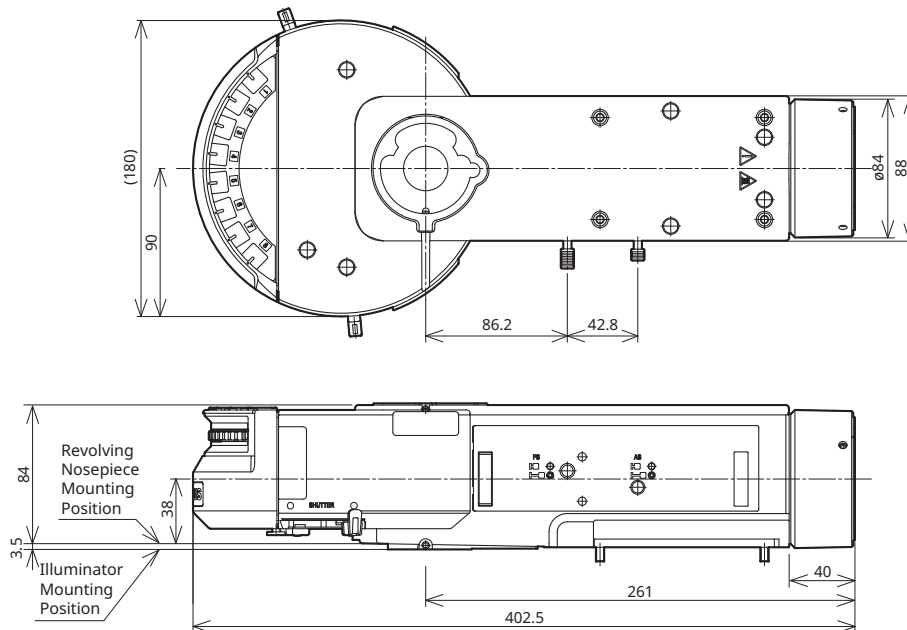
SYSTEM ENVIRONMENT LIMITATIONS FOR OPERATION

Environment	Indoor use
Temperature T0 [°C]	5 – 40
Humidity RH0 [%]	Maximum 80% (up to 31°C) (no condensation) Usable humidity declines linearly as temperature rises above 31°C 34°C (70%) to 37°C (60%) to 40°C (50%)
Power supply and voltage stability	±10%
Pollution level (IEC60664)	2
Over voltage category (IEC60664)	II

PACKING LIST

Item	Quantity
Reflected light illuminator	1
Antiglare plate	1
Light shield sheet	1
Inscription plates	1
ND filter slider	1
Allen wrench	1
Cap	4

MAIN DIMENSION



(Unit: mm)

· Specifications and appearances are subject to change without any notice or obligation on the part of the manufacturer.