

38-Link Wireless Adaptor Getting Started Guide

Intended Use

The 38-Link wireless adaptor is designed to allow any existing Evident 38DL PLUS ultrasonic thickness gage the ability to send and receive data through either Bluetooth or wireless LAN (WLAN). Do not use the 38-Link wireless adaptor for any purpose other than its intended use.

Instruction Manual

Before use, thoroughly review the *38DL PLUS Ultrasonic Thickness Gage User's Manual (P/N: DMTA-10004-01EN)*. The *User's Manual* contains essential information on how to use the 38DL PLUS ultrasonic thickness gage safely and effectively. Keep the *User's Manual* in a safe, accessible location.

Safety Signal Words



DANGER

Indicates an imminently hazardous situation and calls attention to a procedure, practice, or the like that if not correctly performed or adhered to will result in death or serious personal injury.



WARNING

Indicates a potentially hazardous situation and calls attention to a procedure, practice, or the like that if not correctly performed or adhered to could result in death or serious personal injury.



CAUTION

Indicates a potentially hazardous situation and calls attention to an operating procedure, practice, or the like that if not correctly performed or adhered to may result in minor or moderate personal injury, material damage, particularly to the product, destruction of part or all of the product, or loss of data.

Package Contents

Key accessories for the 38-Link wireless adaptor are described in the table below.

Factory part number	Item number	Description	Quantity
38-LINK-AB	Q7790121	Gage stand adaptor bar	1
The communication dongle you need depends on the configuration of the 38-Link adaptor:			
LINK-BT	Q7790122	Bluetooth dongle	1
USBWIFI-NA-1	Q7800064	Wireless LAN dongle for USA/Canada	1
USBWIFI-EU-1	Q7800065	Wireless LAN dongle for Europe	1

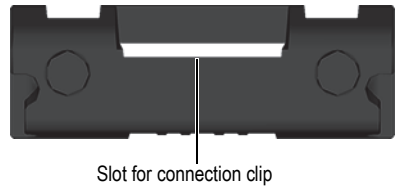
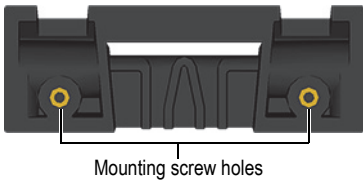
NOTE

Dongle availability depends on the specified region.

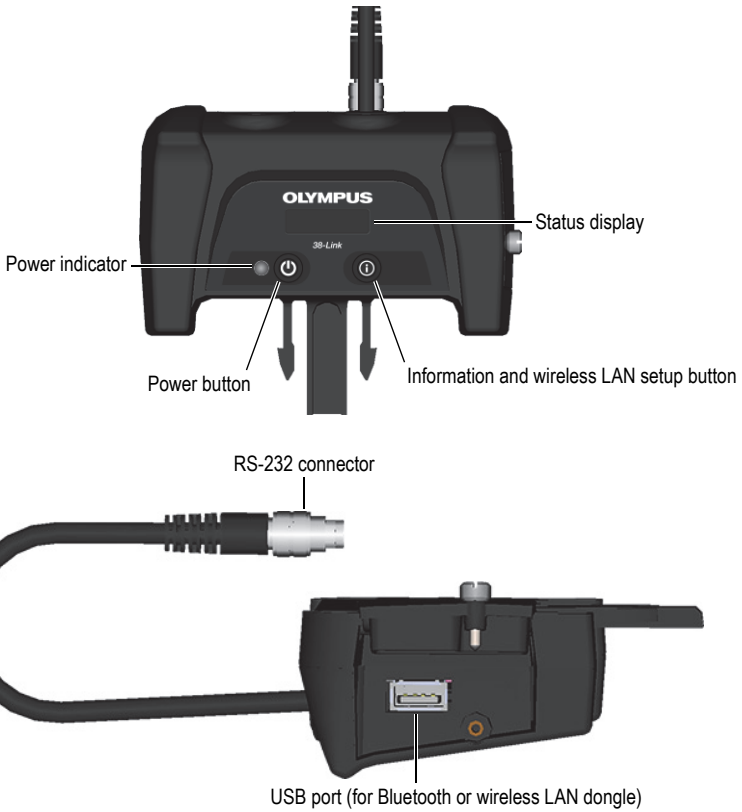
Components

The primary components of the 38-Link wireless adaptor system are the gage stand adaptor bar and the wireless adaptor unit.

Gage Stand Adaptor Bar



38-Link Wireless Adaptor Unit



Preparing the 38DL PLUS Boot for the 38-Link Wireless Adaptor

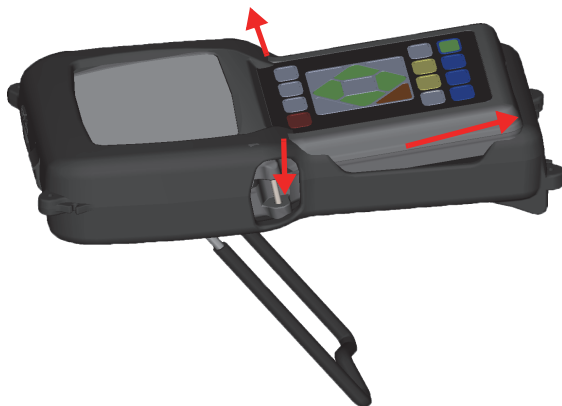
Before using the 38-Link wireless adaptor with the 38DL PLUS thickness gage, you must do the following:

- Install the gage stand adaptor bar to the boot of the 38DL PLUS thickness gage.
- Insert the 38-Link wireless adaptor into the gage stand adaptor bar.
- Connect the 38-Link adaptor RS-232 connector to the 38DL PLUS thickness gage.

To Remove the 38DL PLUS Boot

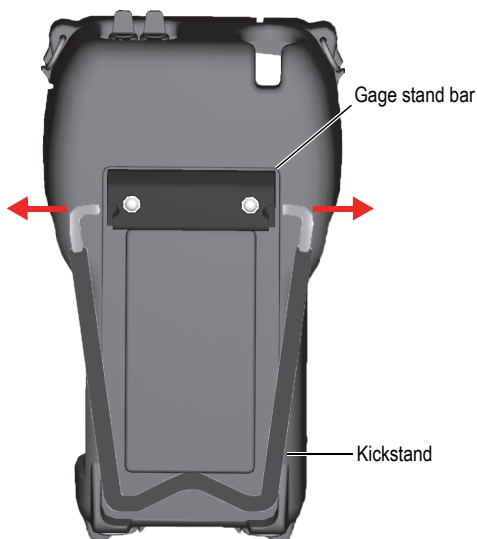
1. Extend the 38DL PLUS kickstand to its fully open position.
2. Grasp the boot at the bottom corners, and push it down and away from the 38DL PLUS thickness gage.
3. Pull the 38DL PLUS gage out of the boot.

You may need to push out on the edges of the boot to get the 38DL PLUS gage to slide out completely.



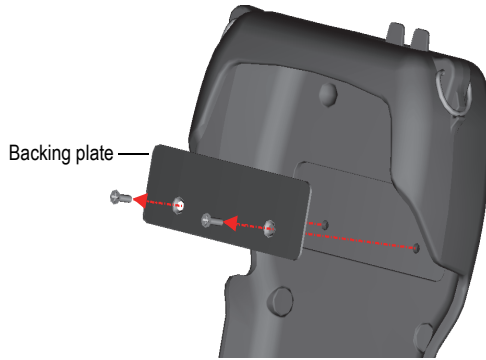
To Remove the Existing Gage Stand Bar

1. Grasp each side of the kickstand (close to the gage stand bar), and pull the ends of the kickstand out to release it from the gage stand bar.



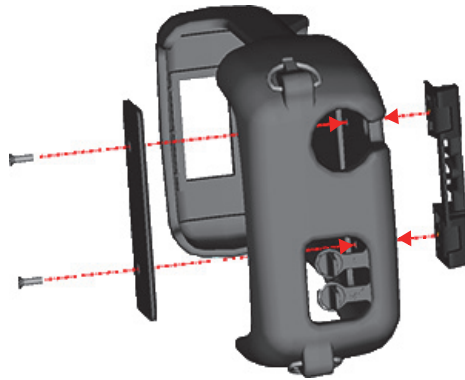
2. Lay the kickstand aside for later use.

3. Remove the two screws and the backing plate from inside the boot to detach the gage stand bar from the boot.



To Install the 38-Link Gage Stand Adaptor Bar

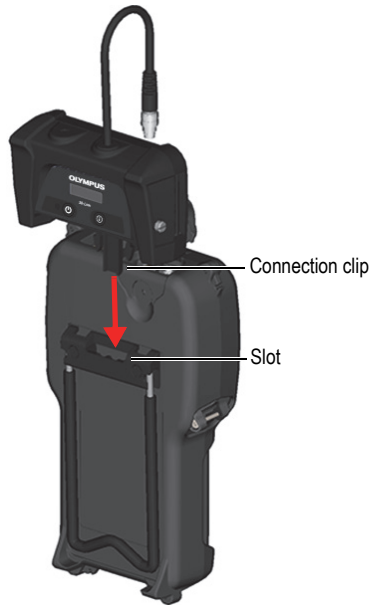
1. Align the gage stand adaptor bar with the two holes on the back of the boot.
2. Align the backing plate with the two holes inside the boot.
3. Install the two screws through the backing plate and into the gage stand adaptor bar.
4. Securely tighten the screws.



5. Position the kickstand so the ends are near the holes in the gage stand adaptor bar.
6. Grasp each side of the kickstand and pull the ends of the kickstand outward, then insert the ends into the gage stand adaptor bar.

To Attach the 38-Link Adaptor Unit to the Gage Stand Adaptor Bar

1. Align the connection clip on the 38-Link adaptor unit with the slot on the gage stand adaptor bar.
2. Push the connection clip into the slot until the clip engages with an audible click.



To Connect the 38-Link Adaptor to the 38DL PLUS Gage

1. On the 38DL PLUS thickness gage, lift the rubber dust cap covering the DC and RS-232 connectors.
2. Align the tab on the 38-Link adaptor RS-232 connector with the notch on the 38DL PLUS gage RS-232 port.
3. Plug the connector into the port.



4. With the front of the 38-Link adaptor facing you, carefully turn the RS-232 connector sleeve clockwise until the threads on the connector engage the threads in the port.
5. Tighten the connector sleeve.

NOTE









Do not use any tools to tighten the RS-232 connector.

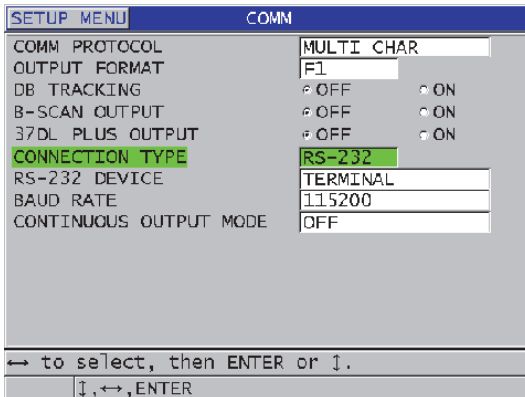
To Connect the Bluetooth or Wireless LAN (WLAN) Dongle




- ◆ Open the side door of the 38-Link adaptor and plug into the USB port either the Bluetooth or WLAN dongle.



To Configure the 38DL PLUS Gage for Bluetooth or WLAN Communication

1. Press the ON/OFF key () to turn on the 38DL PLUS thickness gage.
2. Press the SETUP MENU key () to open the setup menu.
3. Press the down arrow key () to highlight **COMM**, and then press the ENTER key () to display the **COMM** setup menu.
4. Press the down arrow key () to highlight **CONNECTION TYPE**, and then press the right arrow key () to change the connection type to **RS-232**.
5. Press the down arrow key () to highlight **RS-232 DEVICE**, and then press the right arrow key () to change the RS-232 device to **TERMINAL**.



- Press the down arrow key () to highlight **BAUD RATE**, and then press right arrow key () to change the baud rate to **115200**.
- Press the MEAS key () to return to the measure screen.

Charging the 38-Link Wireless Adaptor

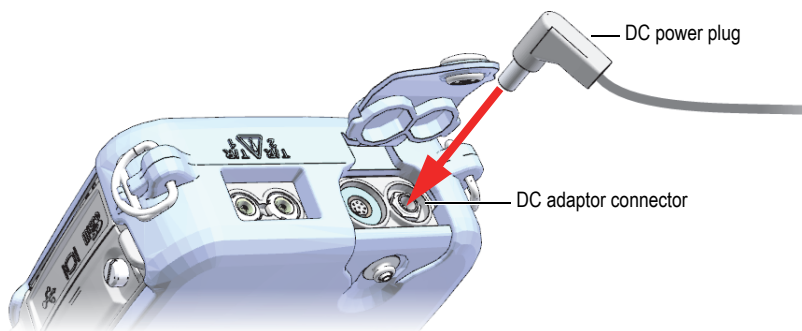
The 38-Link wireless adaptor contains an internal 3.7 V lithium polymer rechargeable battery, which is charged through the RS-232 connection to the 38DL PLUS thickness gage.

The 38-Link battery is not fully charged when shipped. You should charge the 38-Link battery before initially operating the wireless adaptor.

After the initial charge, the 38-Link battery should maintain a sufficient charge level through its connection to the 38DL PLUS gage under normal operating conditions. If the 38-Link adaptor is disconnected from the 38DL PLUS gage for an extended period of time, it may be necessary to connect it and allow the internal battery of the 38-Link adaptor to recharge.

To Initially Charge the 38-Link Wireless Adaptor Battery

- Connect the 38DL PLUS gage DC power plug, which is connected to the charger/adaptor, to the 38DL PLUS gage DC adaptor connector.



- Press the 38DL PLUS gage ON/OFF key () to turn it on.

The 38-Link battery will begin charging. Allow the battery to charge (up to 60 minutes).

Using the 38-Link Wireless Adaptor

NOTE

The 38DL PLUS thickness gage must be turned on before turning on the 38-Link wireless adaptor.

To Turn On the 38-Link Adaptor

- Press the 38DL PLUS gage ON/OFF key () to turn it on.

2. Press the 38-Link adaptor power button () to turn it on.

The 38-Link power indicator glows red while the 38-Link adaptor completes its power-up sequence.

- If the 38-Link battery is sufficiently charged the power indicator glows green, and the adaptor is ready to operate.
- If the battery is not sufficiently charged the power indicator continues to glow red, and the status display shows the message: **Battery is low, please wait for charging.**

To Turn Off the 38-Link Adaptor

1. Press the power button ().

The 38-Link adaptor displays the following message:

```
To power down, press  
right button long  
To exit, press  
right button short
```

2. Press and hold the Information button () for five seconds to turn off the 38-Link adaptor.

OR

Quickly press the Information button () to cancel turning off the 38-Link adaptor.

NOTE

Turning off the 38DL PLUS thickness gage also turns off the 38-Link adaptor.


Connecting to a Wireless LAN (WLAN)

To Ready the 38-Link Adaptor for a WLAN Connection

1. Plug in the WLAN dongle and press the 38-Link power button ().


After it is turned on, the 38-Link display indicates that there is no WLAN connection.

```
No Wlan Connection  
  
Wlan [N]   Cloud [N]
```

2. Press and hold the Information button () for five seconds.

A message displays requesting you to press and hold again.

```
To enter Wlan Setup,  
press again 5 sec  
To exit, press and  
release quickly.
```

3. Press and hold the Information button () again for five seconds.

As the setup proceeds, the display shows several messages until the screen indicates that the 38-Link adaptor is ready to connect to a WLAN.

```
Wlan AP Mode
Network: Olympus-4
PW: oly-1982
http://192.168.0.1
```

Where:

Network: Evident-xx

PW: oly-xxxx

http: //192.168.0.1

To Set Up the WLAN Using Windows 10 or Windows 7

1. Click the Network icon at the bottom-right corner of the Windows display.
2. In the list of available networks, click the network name: **Evident-XX** (as displayed on the 38-Link screen).
3. Click **Connect**.
4. Enter the password: **oly-XXXX** (displayed on the 38-Link adaptor for the network security key).
5. Click **Next** (Windows 10) or **Ok** (Windows 7).

The network list should display **Evident-XX No Internet**, and then **Secured** (Windows 10) or **Limited Access** (Windows 7).

6. Open a browser (Google Chrome or Mozilla Firefox), and enter: **http://192.168.0.1**

The **Evident WLAN Configuration** page should display.

192.168.0.1

Olympus WLAN Configuration

Please select WLAN access point and provide security information

JCA Mobile (WPA/WPA2)
Olympus (EAP)
JCA Guest (WPA/WPA2)
OSSA-INSTRUMENTS2-WA (WPA/WPA2)
OSSA-INSTRUMENTS2-WA (WPA/WPA2)
OSSA-EMPLOYEES (EAP)
OSSA-BARCODE (EAP)
OSSA-BARCODE (EAP)

Security: WPA/WPA2

submit

Click submit button with proper SSID and Password

resetWLANSetup

7. In the list, select the network that you want.
If the network you want does not appear in the list:
 - a) Scroll down in the list and select **other network**.
 - b) Enter the **SSID** and **password**.
8. Set the security to **WPA/WPA2**, and enter the network password.

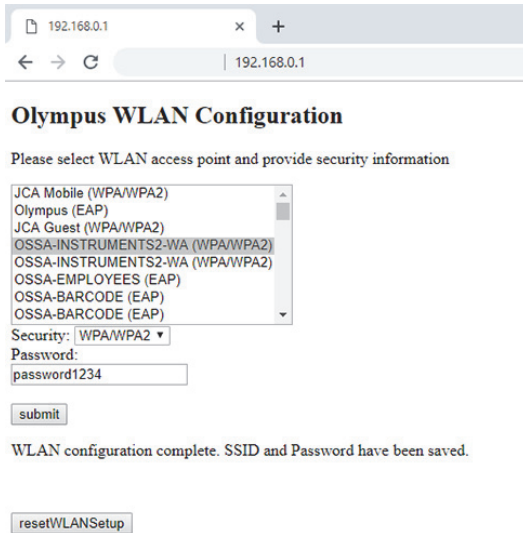
9. Click **submit**.

A message displays under the submit button:

WLAN configuration complete. SSID and password have been saved.

NOTE

The SSID and password cannot be verified by Evident. If your device restarts but does not connect to the wireless network, the SSID or password as entered may be incorrect. To resolve this issue, try the setup process again, and ensure that the SSID and password are entered correctly.



The following sequence occurs on the 38-Link adaptor:

- The display turns off, and the 38-Link power indicator glows red while the unit reboots.
- The power indicator glows green, and the display turns on.
- The 38-Link display shows the message: **Wlan connecting**.
- When the wireless LAN is connected, the display shows the message: **Wlan connected**.

Connecting to Evident Bluetooth Applications

For information on connecting to Evident Bluetooth applications, visit EvidentScientific.com.

Connecting to the Evident Scientific Cloud

For information on connecting to the Evident Scientific Cloud, visit EvidentScientific.com. If you already have an account, click “Log In.” Otherwise, click “Register” to create a new account.

Battery Precautions



CAUTION

- Before disposing of a battery, check your local laws, rules, and regulations, and follow them accordingly.
- Transportation of lithium-ion batteries is regulated by the United Nations under the United Nations Recommendations on the Transport of Dangerous Goods. It is expected that governments, intergovernmental organizations, and other international organizations shall conform to the principles laid down in these regulations, thus contributing to worldwide harmonization in this field. These international organizations include the International Civil Aviation organization (ICAO), the International Air Transport Association (IATA), the International Maritime Organization (IMO), the US Department of Transportation (USDOT), Transport Canada (TC), and others. Please contact the transporter and confirm current regulations before transportation of lithium-ion batteries.
- For California (USA) only:
The CR battery contains perchlorate material, and special handling may be required. Refer to <http://www.dtsc.ca.gov/hazardouswaste/perchlorate>.



WARNING

Damaged batteries cannot be shipped through normal routes — DO NOT ship damaged batteries to Evident. Contact your local Evident representative or material disposal professionals.

Equipment Disposal

Before disposing of the 38-Link wireless adaptor, check your local laws, rules, and regulations, and follow them accordingly.

Trademarks

The Bluetooth® word mark and logos are registered trademarks owned by Bluetooth SIG, Inc. and any use of such marks by Evident Corporation is under license.

All brands are trademarks or registered trademarks of their respective owners and third-party entities.

EVIDENT SCIENTIFIC INC., 48 Woerd Avenue, Waltham, MA 02453, USA
EvidentScientific.com

Printed in the United States of America • Copyright © 2022 by Evident. All rights reserved.



Part ID: Q7780073



10-008853-01EN
Rev. 5, September 2022



Printed on Rolland Hitech50,
which contains 50 % post-
consumer fiber.