

INSTRUCTIONS

SZ61 /SZ61-60

SZ61 TR

SZ51 /SZ51-60

ZOOM STEREO MICROSCOPES



To ensure the safety, obtain optimum performance and to familiarize yourself fully with the use of this microscope, we recommend that you study this manual thoroughly before operating the microscope.

For details of products included in the configuration of this system, see "1 MODULES AND NOMENCLATURE" (P.3) and "8 OPTIONAL MODULES" (P.18).

Optical Microscope and Accessory

CONTENTS

IMPORTANT	1
1 MODULES AND NOMENCLATURE	3
2 SUMMARY OF OBSERVATION PROCEDURE	5
2-1 Preparation.....	5
2-2 Observation Procedure	5
3 OPERATION	6
3-1 Base.....	6
1 Using the Stage Plate.....	6
2 Adjusting the Focus Adjustment Knob Tension.....	6
3-2 Microscope Body	6
1 Adjusting the Interpupillary Distance.....	6
2 Adjusting the Diopter (Zoom Confocality Adjustment)	7
3 Using the High/Low Zoom Magnification Stopper	8
4 Using the Eye Shades	8
5 Mounting the Eyepiece Micrometer Disk.....	9
6 Using the Auxiliary Objectives.....	10
7 Selecting the Light Path (SZ61TR)	10
8 Adjusting the Confocality of the Camera (SZ61TR).....	11
4 TROUBLESHOOTING GUIDE	12
5 SPECIFICATIONS	13
6 OPTICAL PERFORMANCE	14
7 ASSEMBLY	15
7-1 Assembly Diagram	15
7-2 Detailed Assembly Procedures.....	16
8 OPTIONAL MODULES	18
8-1 BX Stage Adapter Type 1 SZX-STAD1	18
8-2 Stage Adapter Type 1 SZH-STAD1	20
8-3 Gliding Stage SZH-SG.....	21
8-4 Cup Stage SZH-SC.....	22
9 Request to issue the Safety Confirmation	24



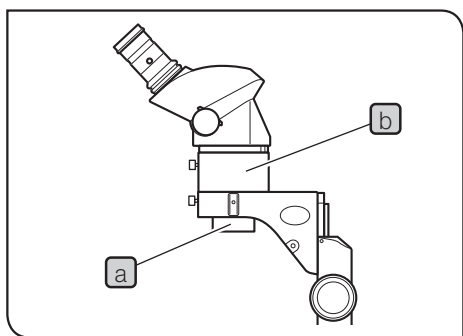
IMPORTANT

The SZ2 series of stereo microscopes are provided with ESD (Electro-Static Discharge) protection specifications. They are provided with electroconductive coating in their external finish to reduce the surface resistance and grounding lead wires in their standard base or frame to eliminate static electricity from them.

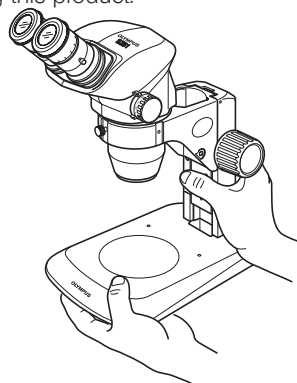
NOTE To maintain the ESD protection performance, always use the microscope in combination with the modules described in this manual or options having the ESD protection specifications. Otherwise, the grounding will not work properly.

- The eye shades of the eyepieces are not provided with the ESD protection performance. Be sure to remove them
- The SZ2-SPBW stage plate is provided with the ESD protection performance only in the black surface.

! SAFETY PRECAUTIONS



1. After the equipment has been used in an observation of a specimen that is accompanied with a potential of infection, clean the parts coming in contact with the specimen to prevent infection.
 - Moving this microscope is accompanied with the risk of dropping the specimen. Be sure to remove the specimen before moving this product.



- Hold the bottom of the stand with one hand while holding base column with the other hand to avoid tilting the microscope.
 - In case the specimen is damaged by erroneous operation, promptly take the infection prevention measures.
2. When the optional 0.5X auxiliary objective **a** is used, the microscope become unstable due to the use of the SZ2-ET auxiliary sleeve **b**. Be careful not to topple down the microscope.
In addition, when a camera is mounted on the SZ61TR, special care is required because the microscope becomes more unstable.

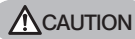
1 Getting Ready

1. A microscope is a precision instrument. Handle it with care and avoid subjecting it to sudden or severe impact.
2. Do not use the microscope where it is subjected to direct sunlight, high temperature and humidity, dust or vibrations. (For the operating conditions, see "SPECIFICATIONS" on page 13.)
3. Be careful not to leave stains and fingerprints on the lens surfaces.
Contamination of the lens and mirror deteriorates the view of images.
4. Do not turn the left and right zoom adjustment knobs in the opposite directions, as this will result in a failure.
5. The rubber parts of the eyepiece sleeves are fragile and should be handled carefully. If they are damaged, dirt will penetrate inside the microscope.

2 Maintenance and Storage

1. To clean the lenses and other glass components, simply blow dirty away using a commercially available blower and wipe gently using a piece of cleaning paper (or clean gauze).

If a lens is stained with fingerprints or oil smudges, wipe it gauze slightly moistened with commercially available absolute alcohol.



Since the absolute alcohol is highly flammable, it must be handled carefully.

Be sure to keep it away from open flames or potential sources of electrical sparks -- for example, electrical equipment that is being switched on or off.

Also remember to always use it only in a well-ventilated room.

2. Do not attempt to use organic solvents to clean the microscope components other than the glass components. To clean them, use a lint-free, soft cloth slightly moistened with a diluted neutral detergent.
3. Do not disassemble any part of the microscope as this could result in malfunction or reduced performance.
4. When disposing of the microscope. Check the regulations and rules of your local government and be sure to observe them.

3 Caution

If the microscope is used in a manner not specified by this manual, the safety of the user may be imperiled. In addition, the equipment may also be damaged. Always use the equipment as outlined in this instruction manual.

The following symbols are used to set off text in this instruction manual.



: Indicates that failure to follow the instructions in the warning could result in bodily harm to the user and/or damage to equipment (including objects in the vicinity of the equipment).

NOTE

: Indicates that failure to follow the instructions could result in damage to equipment.

TIP

: Indicates commentary (for ease of operation and maintenance).

4 Intended use

This product has been designed to be used to observe magnified images of specimens in various routine work and research applications. This includes the observation of living cells or of specimen taken from tissues to gain physiological or morphological information at hospitals or laboratories.

Typical field of applications are genetics, human blood and tissue examination, neurology, pharmacology and cellular biology.

Further applications of this device include measurement and imaging for materials research, precision manufacturing, electronics design and medical device fabrication. Additional industrial applications are added by individual companies and researchers.

Do not use this product for any purpose other than its intended use.



This product complies with the requirements of Regulation (EU) 2017/746 and The Medical Device (Amendment etc.) (EU Exit) Regulation 2020 concerning in vitro diagnostic medical devices. CE marking means the conformity to the former, and UKCA marking means the conformity to the latter.



This product is applied with the requirements of EMC standard IEC/EN61326-2-6 and IEC/EN61326-1 concerning electromagnetic compatibility.

- Immunity: Professional healthcare facility environment

Emissions exceeding the level required by aforementioned standards may occur if this product is electrically connected to other equipment.

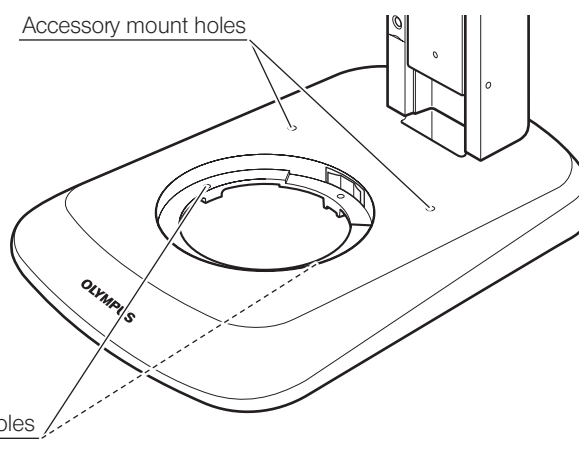
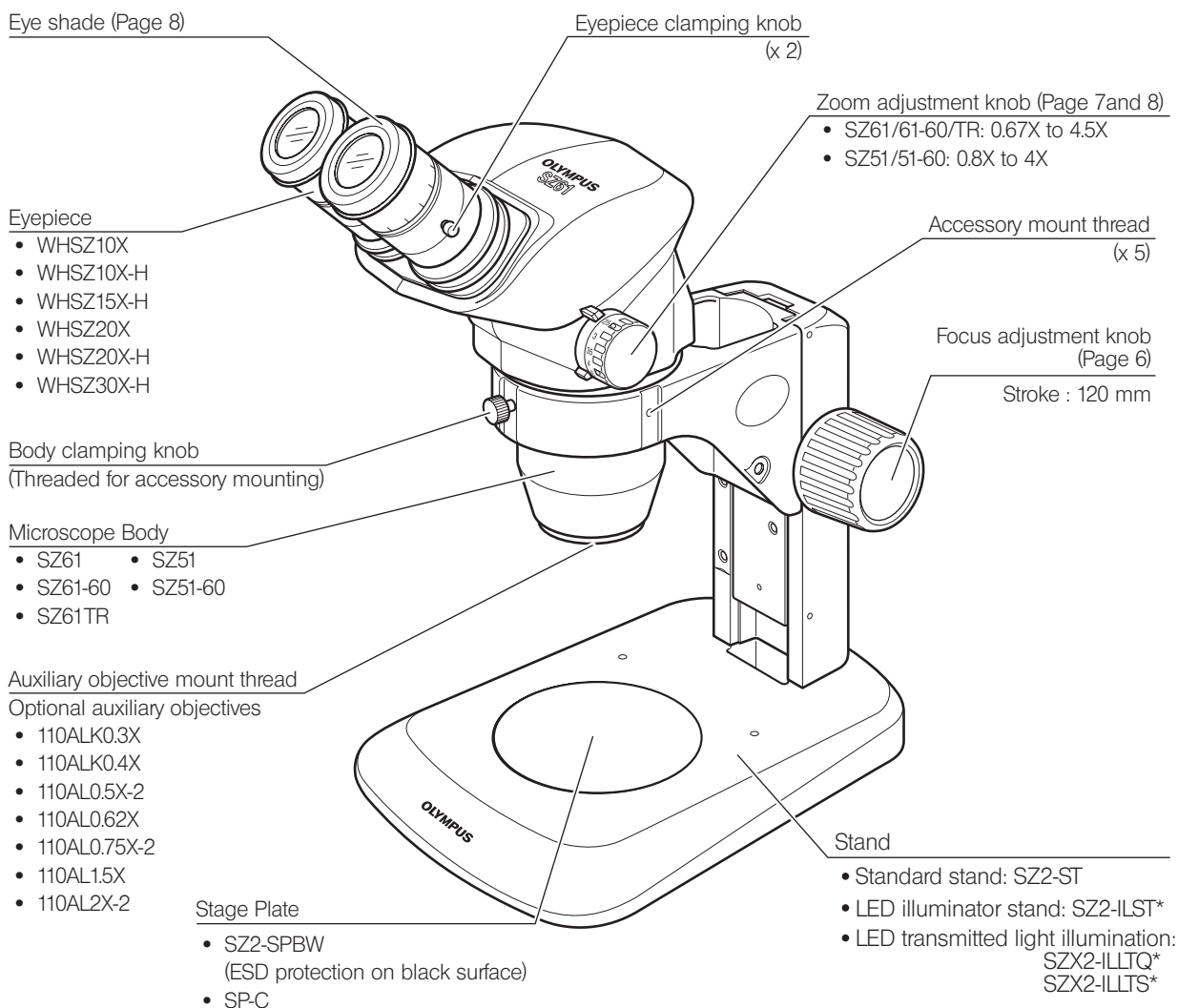
This product complies with the emission and immunity requirements described in IEC61326 series.

This product is designed for use in a professional healthcare facility environment. It is likely to perform incorrectly if used in a home healthcare facility environment. If it is suspected that performance is affected by electromagnetic interference, correct operation may be restored by increasing the distance between this product and the source of the interference.

The electromagnetic environment should be evaluated prior to operation of this product. Do not use this product in close proximity to the sources of strong electromagnetic radiation to prevent interference with the proper operation.

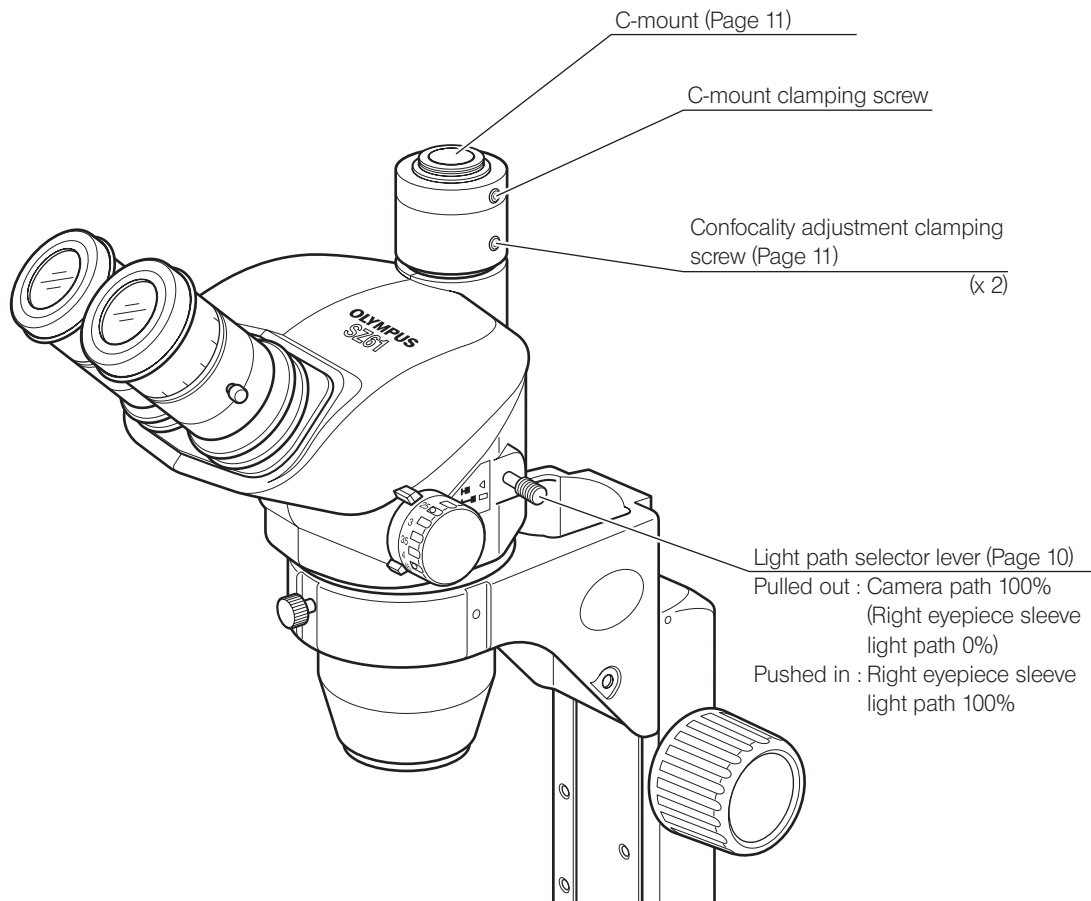
1 MODULES AND NOMENCLATURE

A separate instruction manual is available for the module marked *.



We classify SZ61, SZ61-60, SZ61TR, SZ51 and SZ51-60 as an optical microscope and other units as optical microscope accessories.

Observation Tube of SZ61TR

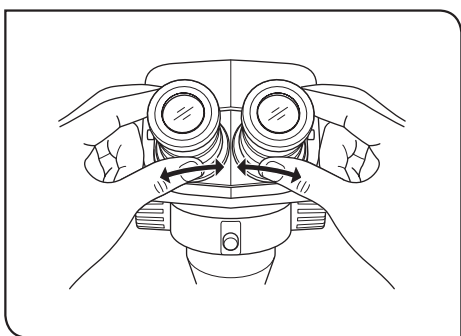


2 SUMMARY OF OBSERVATION PROCEDURE

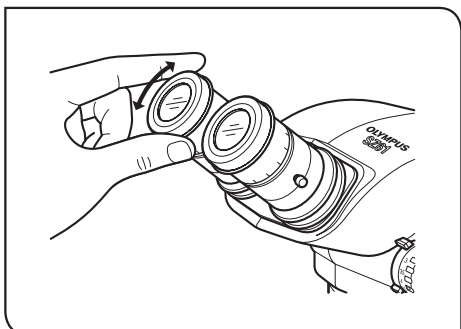
2-1 Preparation

- | | Ref. Page |
|---|----------------|
| 1. Confirm the mounting, particularly that of the microscope body..... | (Page 15 - 17) |
| 2. Confirm that the eyepieces are positioned correctly with respect to the standard base..... | (Page 16) |
| 3. Adjust the rotation tension of the focus adjustment knob..... | (Page 6) |
| 4. Prepare the light source as required. | |

2-2 Observation Procedure



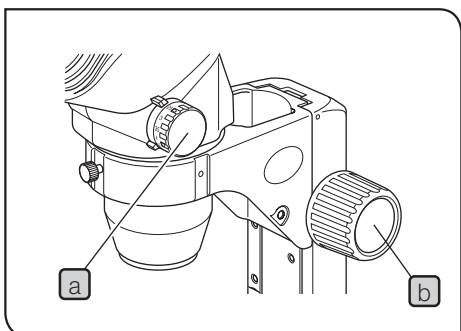
- 1 Place the specimen on the stage plate. (Page 6)
- 2 Adjust the interpupillary distance. (Page 6)



- 3 Adjust the eyepiece diopter. (Page 7)

NOTE This operation is not possible with the eyepieces without helicoids (WHSZ10X/20X).

The operation is slightly different when a micrometer is mounted in one of the eyepieces with helicoids.



- 4 Set the zoom adjustment knob **a** for the lowest magnification and rotate the focus adjustment knob **b** to bring the specimen into approximate focus.
- 5 Rotate the zoom adjustment knob **a** to the target magnification and rotate the focus adjustment knob **b** to bring the specimen into accurate focus.

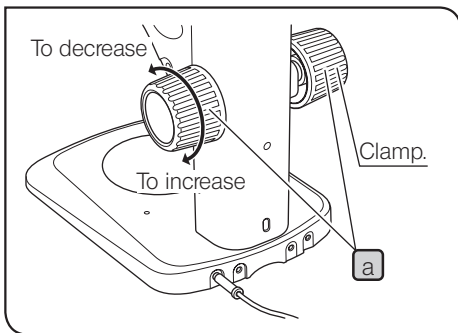
3 OPERATION

3-1 Base

1 Using the Stage Plate

When reflected light illumination is used, the stage plate can be placed either the white or black surface facing up depending on which side makes the specimen easier to view.

- NOTE**
- To maintain the ESD performance, use the black surface of the SZ2-SPBW stage plate.
 - When transmitted light illumination is used, use the optional SP-C transparent glass stage plate.

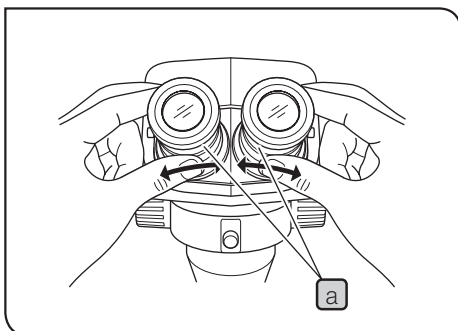


2 Adjusting the Focus Adjustment Knob Tension

- TIP** This operation is intended to facilitate the rotation of the knobs while preventing spontaneous drop of the microscope body. It is recommended to set the knob tension to a slightly higher level than the point where spontaneous drop occurs.

- 1** Hold the left and right focus adjustment knobs **a** with both hands, fix the left knob and rotate the right knob. The rotation tension of the knobs increases or decreases according to the direction in which the right knob is rotated.

3-2 Microscope Body



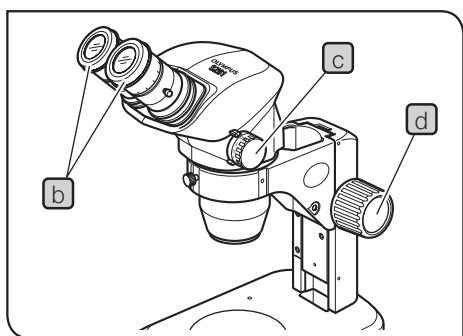
1 Adjusting the Interpupillary Distance

While holding the left and right eyepiece sleeves **a** with both hands, look through the eyepieces and adjust for binocular vision until the left and right fields of view coincide completely.

2

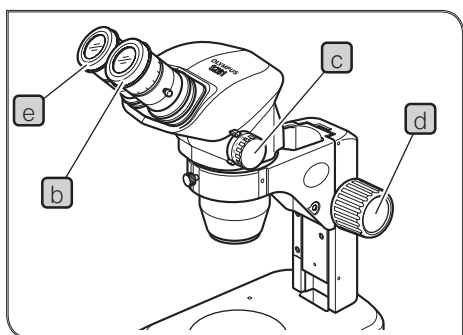
Adjusting the Diopter (Zoom Confocality Adjustment)

TIP The adjustment operation is variable whether the eyepieces use an eyepiece micrometer disks or not.



Eyepieces without eyepiece micrometer disk

- 1 Turn the diopter adjustment rings **b** of the left and right eyepieces to positions "0".
- 2 Place an easy-to-observe specimen on the stage plate.
- 3 Set the zoom adjustment knob **c** for the lowest magnification and rotate the focus adjustment knob **d** to bring the specimen into focus.
- 4 Set the zoom adjustment knob **c** for the highest magnification and rotate the focus adjustment knob **d** to bring the specimen into focus.
- 5 Set the zoom adjustment knob **c** for the lowest magnification and rotate the diopter adjustment rings **b** of the left and right eyepieces, instead of the focus adjustment knob, to bring the specimen into focus.



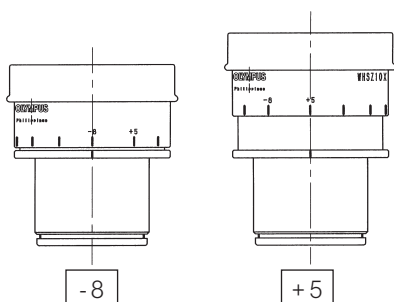
Eyepieces with eyepiece micrometer disk

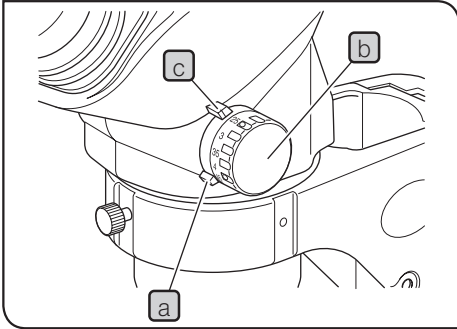
- 1 Look through the eyepiece with eyepiece micrometer disk and rotate its diopter adjustment rings **b** to bring the micrometer scale into focus.
- 2 Place an easy-to-observe specimen on the stage plate.
- 3 Set the zoom adjustment knob **c** for low magnification, look through the eyepiece with eyepiece micrometer disk and rotate the focus adjustment knob **d** to bring the specimen into focus.
- 4 Set the zoom adjustment knob **c** for the highest magnification and rotate the focus adjustment knob **d** to bring the specimen into focus.
- 5 Set the zoom adjustment knob **c** for the lowest magnification and rotate the diopter adjustment ring **e** of the eyepiece without eyepiece micrometer disk, instead of the focus adjustment knob **d**, to bring the specimen into focus.

TIP Note the left and right diopter scale values so that it can be quickly duplicated in future observations.

Diopter scale of the 10X eyepieces

TIP The valid range of the diopter scale is between -8 and $+5$ but a slight margin is added to it. Therefore, the diopter value may exceed $+5$ or -8 when it is adjusted to the maximum. In this case, whether the diopter value is over $+5$ or under -8 can be identified by the length of the eyepiece.



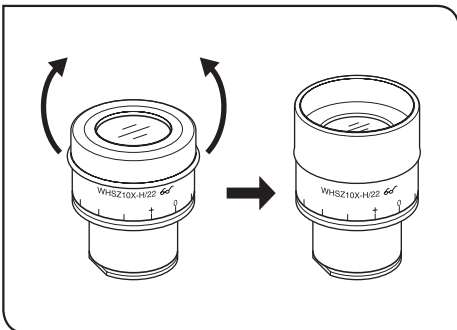


3 Using the High/Low Zoom Magnification Stopper

TIP

The magnification can be limited in the desired range by setting each stopper on the microscope body (also used as the magnification indices) and the stopper ring on each zoom adjustment knob. The right zoom adjustment knob is used to limit the higher end of the magnification, and the left knob is used to limit the lower end.

- 1 Using an Allen wrench, loosen the clamping screw of the right stopper ring **a** and free it. (Also free the left knob in this way)
- 2 Rotate the right zoom adjustment knob **b** to align the desired higher-limit magnification with the index (stopper) **c**.
- 3 Gently apply the stopper ring **a** to the stopper **c** and tighten the clamping screw using the Allen wrench to retain this condition.
- 4 Set the left zoom adjustment knob according to the desired lower-limit magnification by rotating the left knob and clamping the left stopper ring in the same way as above.



4 Using the Eye Shades

NOTE

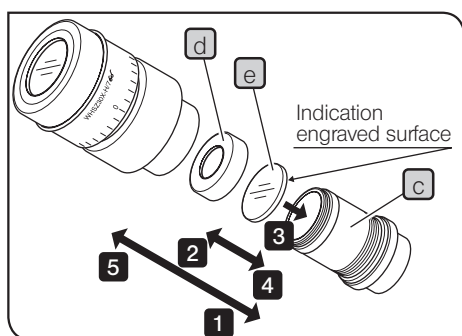
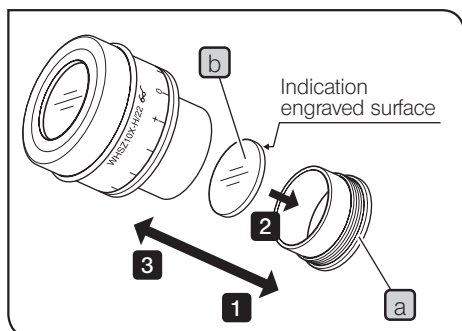
The eye shades are not provided with ESD protection performance. When ESD protection is required, do not use the eye shades.

When Wearing Eyeglasses

Use with the eye shades in the normal, folded-down position. This will prevent the eyeglasses from being scratched.

When Not Wearing Eyeglasses

Extend the folded eye shades in the direction of the arrow to prevent extraneous light from entering between the eyepieces and eyes.



5 Mounting the Eyepiece Micrometer Disk

WHSZ10X-H/15X-H/20X-H

- 1 Rotate the disk-mounting ring **a** of the eyepiece counterclockwise to remove.
- 2 Prepare an eyepiece micrometer disk **b** (24 mm dia. x 1.5 mm thick), remove dust and dirt from its surface, and fit it into the disk-mounting ring **a** so that the engraving on the micrometer disk faces downward.
- 3 Gently screw in the disk-mounting ring **a** incorporating the eyepiece micrometer disk into the eyepiece. Turn the ring clockwise to attach it firmly.

WHSZ30X-H

- 1 Rotate the disk-mounting ring **c** of the eyepiece counterclockwise to remove.
- 2 Rotate the push ring **d** of the eyepiece micrometer disk counterclockwise to remove.
- 3 Prepare an eyepiece micrometer disk **e** (24 mm dia. x 1.5 mm thick), remove dust and dirt from its surface, place it on the disk-mounting ring **c** with the engraving facing downward, and fix it with the push ring **d**.
- 4 Gently screw in the disk-mounting ring **c** incorporating the eyepiece micrometer disk into the eyepiece. Turn the ring clockwise to attach it firmly.

TIP

- The micrometer disk frame may be tight for certain micrometer disks. In this case, turn the frame by holding the circumference with a light, uniform force or by applying the frame against a rubber sheet. Do not grasp the frame with a strong force, as this may deform the frame and make it harder to remove it.

- Be careful not to touch the lens surface with your finger.

NOTE

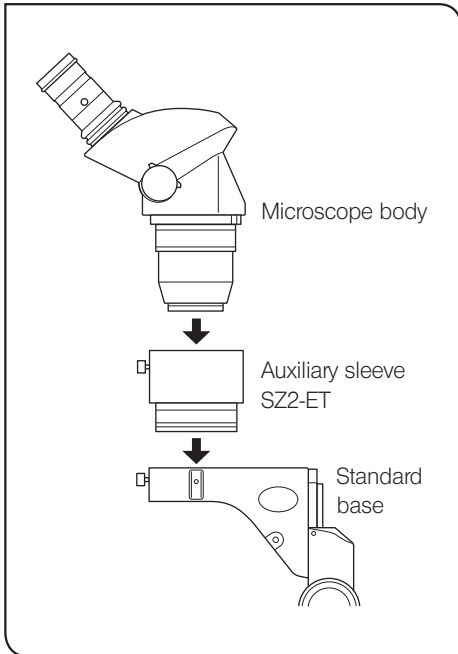
Due to their structures the WHSZ20X-H/30X-H eyepieces apply a magnification on the focused plane of the eyepiece micrometer disk.

These magnifications are 1.3X with the WHSZ20X-H and 2X with the WHSZ30X-H. Be sure to compensate for these magnifications when using the eyepiece micrometer disk in measurements.

Also, insertion of the eyepiece micrometer disk extends the light path length and deviates the position of the diopter scale. Correct this deviation by turning the diopter adjustment ring of the eyepiece toward “+”.

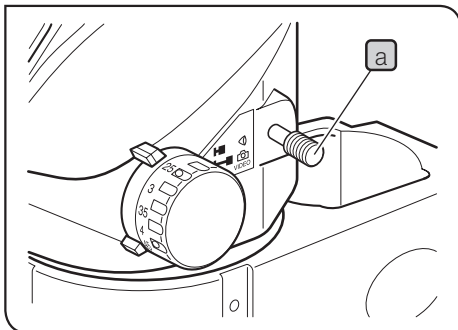
TIP

When the eyepiece micrometer disk is not used, store it by wrapping in a clean, soft cloth.



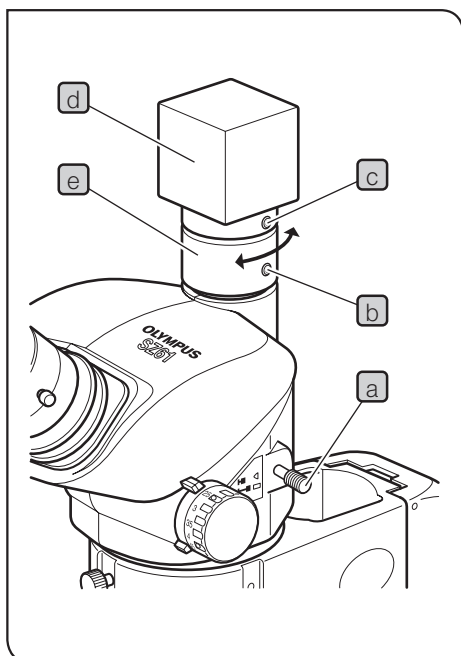
6 Using the Auxiliary Objectives

- TIP** All of the auxiliary objectives are provided with the ESD protection performance.
- NOTE**
- The 0.3X and 0.4X auxiliary objectives cannot be used in combination with the standard base because their working distances are too long.
 - The 0.5X auxiliary objective (110AL0.5X-2) also has a long working distance, but this can be combined with the standard base provided that the auxiliary sleeve (SZ2-ET) is used. In this case, however, the microscope becomes unstable and needs care against toppling it down.
- Screw the auxiliary objective firmly into the auxiliary objective mount thread at the bottom of the microscope body.



7 Selecting the Light Path (SZ61TR)

- NOTE** Always move the light path selector lever **a** until it hits the stop position.
- 1** For observation through the binocular light path, push in the light path selector lever **a** till the stop position.
In this position, the whole light (100%) goes to the binocular tube.
 - 2** For the camera light path, pull out the light path selector lever **a** till the stop position.
In this position, a mirror is inserted into the light path so the whole light for the right eyepiece sleeve (100%) is sent to the camera light path.



8 Adjusting the Confocality of the Camera (SZ61TR)

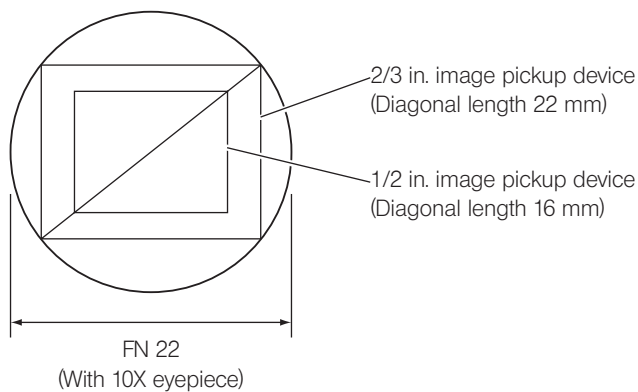
TIP Ensuring the confocality between the observation image and the camera monitor image makes it possible to maintain accurate focusing of the observation image or monitor image even when the light path is switched.

- 1** Adjust the diopter of the eyepiece (see page 7) and bring the specimen into focus.
- 2** Pull out the light path selector lever **a** and set the magnification to the minimum.
- 3** Slightly loosen the two confocality adjustment clamping screws **b** and C-mount clamping screw **c**.
- 4** Hold the camera **d** and rotate the confocality **e** to focus on the monitor image.

After the adjustment, tighten the clamping screws **b** and **c**.

Applicable cameras (image pickup device size) and field numbers

TIP The camera light path incorporates a 0.5X lens.



Rotation of monitor image

The monitor image is rotated slightly because the right observation light path, which is tilted slightly, is used as the camera light path. The monitor image can be aligned with the observation image by rotating the camera.

4 TROUBLESHOOTING GUIDE

Under certain conditions, performance of the microscope may be adversely affected by factors other than defects. If problems occur, please review the following list and take remedial action as needed. If you cannot solve the problem after checking the entire list, please contact us.

Problem	Cause	Remedy	Page
1. The left and right fields of view do not coincide.	Interpupillary distance is adjusted improperly.	Adjust it correctly.	6
	The parallax is not corrected.	Adjust it correctly.	7
	The magnifications of the left and right eyepieces are different.	Use the eyepieces with the same magnification for the left and right by replacing one of them.	3
2. Dirt or dust is visible in the field of view.	Dirt/dust on specimen.	Clean thoroughly.	2
	Dirt/dust on eyepieces		
3. Visibility of observed image is poor.	Dirt/dust on the dustproof glass on the tip of the objective.	Clean thoroughly.	2
4. Zooming causes defocusing of the observed image.	The eyepiece diopter is adjusted improperly.	Adjust it correctly.	7
	The focus adjustment is inaccurate.	Adjust the focus accurately.	5
5. The focus adjustment knob does not rotate smoothly.	The rotation tension of the knob is set too high.	Decrease the rotation tension to an optimum level.	6
6. The microscope body drops spontaneously, causing the focusing to be deviated during observation.	The rotation tension of the knob is set too low.	Increase the rotation tension to an optimum level.	6
7. The right field of view or the monitor image is cut off.	The light path selector lever is not set properly to a stop position.	Push in or pull out the lever all the way till the stop position.	10
8. Zooming causes important defocusing of the monitor image.	The confocality of the camera is adjusted improperly.	Adjust it properly.	11

5 SPECIFICATIONS

Item		SZ61	SZ61-60	SZ61TR	SZ51	SZ51-60
Microscope body	Magnification	0.67X to 4.5X			0.8X to 4X	
	Zoom ratio	6.7			5	
	Working distance	110 mm				
	Tube tilting angle	45°	60°	45°		60°
	Interpupillary distance adjustment	Left/right interlocked. Adjustment range: 52 to 76 mm (using the WHSZ10X eyepieces)				
	Camera compatibility	-		C-mount (0.5X lens built in)	-	
	Zoom adjustment knobs	Left/right single-shaft horizontal knobs (with high/low zoom magnification stopper)				
	Auxiliary objective	Mounting by screwing into the thread at the bottom of frame (M48 thread x 0.75)				
Eyepieces**		WHSZ10X-H : FN 22, 24 mm eyepiece micrometer disk mountable				
		WHSZ15X-H : FN 16, 24 mm eyepiece micrometer disk mountable*				
		WHSZ20X-H : FN 12.5, 24 mm eyepiece micrometer disk mountable*				
		WHSZ30X-H : FN 7, 24 mm eyepiece micrometer disk mountable*				
Standard stand SZ2-ST	Frame installation	Mounting diameter 76 mm				
	Focus adjustment	Rack-and-pinion using ball guide Knob rotation tension adjustable Focusing stroke 120 mm				
	Stage plate	Diameter 100 mm, milky white (back side black)				
	Light source installation	Light guide illumination system (SZ2-CLS) mountable.				
Operating environment	<ul style="list-style-type: none"> • Indoor use • Altitude : Max. 2000 m • Ambient temperature : 5° to 40°C (41° to 104°F) • Maximum relative humidity: 80% for temperatures up to 31°C (88°F), decreasing linearly through 70% at 34°C (93°F), 60% at 37°C (99°F), to 50% relative humidity at 40°C (104°F) • Supply voltage fluctuations : ±10% • Pollution degree : 2 (in accordance with IEC60664) • Installation (overvoltage) category : II (in accordance with IEC60664) 					

* The micrometer and squared scale outside the field number are invisible.

** The WHSZ10X and WHSZ20X eyepieces without helicoids are also available. (An eyepiece micrometer cannot be mounted)

6 OPTICAL PERFORMANCE

※ The following data shows only the typical magnifications of each zoom magnification.

Zoom Magnification	Working Distance (mm)	Eyepieces							
		WHSZ 10X FN 22		WHSZ 15X FN 16		WHSZ 20X FN 12.5		WHSZ 30X FN 7	
		Total Power	Actual Field (mm)	Total Power	Actual Field (mm)	Total Power	Actual Field (mm)	Total Power	Actual Field (mm)
0.67X	110	6.7X	32.8	10X	23.8	13.4X	18.7	20X	10.4
0.8X		8X	27.5	12X	20	16X	15.6	24X	8.8
1X		10X	22	15X	16	20X	12.5	30X	7
2X		20X	11	30X	8	40X	6.3	60X	3.5
4X		40X	5.5	60X	4	80X	3.1	120X	1.8
4.5X		45X	4.89	67.5X	3.6	90X	2.8	135X	1.6

■ Auxiliary objectives (optional)

Auxiliary Objective	Working Distance (mm)	Auxiliary Objective	Working Distance (mm)
110ALK0.3X	350 - 250	110AL0.75X-2	130
110ALK0.4X	250 - 180	110AL1.5X	61
110AL0.5X-2	200	110AL2X-2	38
110AL0.62X	160		

- NOTE**
- The working distances of the 110ALK0.3X and 0.4X can be varied according to the system. The indicated magnifications (0.3X and 0.4X) are the values when the working distances are 350 mm and 240 mm respectively.
 - The 110AL2X-2 cannot be combined with the optional SZ2-LGR ring light guide illumination system.

- TIP**
- The working distance is constant regardless of the zoom magnification.
 - The total power and actual field can be calculated with the following formulae.
Total power = Zoom magnification x Eyepiece magnification x Auxiliary objective magnification*

$$\text{Actual field} = \frac{\text{Eyepiece FN}}{\text{Zoom magnification} \times \text{Auxiliary objective magnification}^*}$$

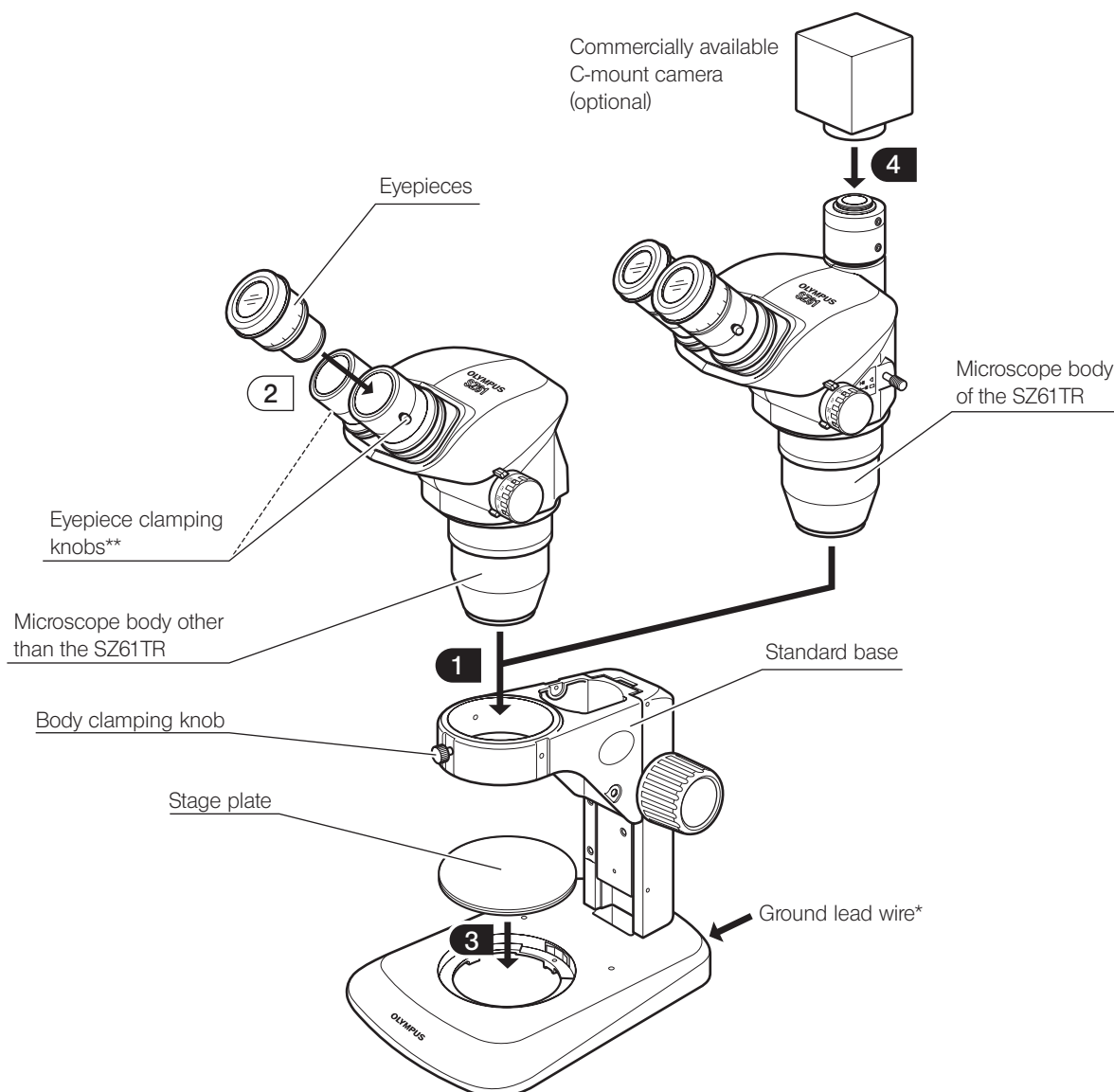
* This value is 1X when the auxiliary objective is not used.

7 ASSEMBLY

7-1 Assembly Diagram

The diagram below shows the sequence of assembly of the various modules. The numbers indicate the order of assembly. Assembly steps enclosed in **■** will be detailed on the subsequent pages.

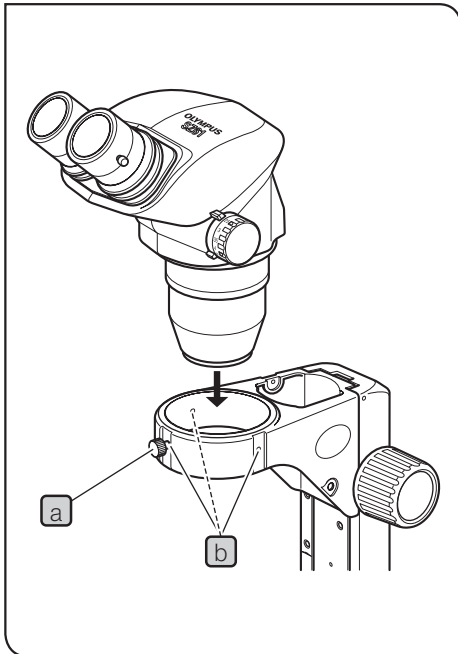
NOTE When assembling the microscope, make sure that all parts are free of dust and dirt, and avoid scratching any parts or touching glass surfaces.



* To reserve the ESD protection performance, be sure to ground the equipment using a grounding lead wire having a 4 mm banana plug.

** The eyepieces are provided with theft prevention screws (which can be retained using a flat-blade screw driver). If required, replace the clamping knobs with these screws.

7-2 Detailed Assembly Procedures

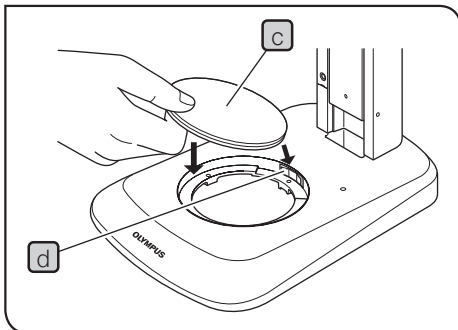


1 Installing the Microscope Body

- Loosen the body clamping knob **a** and insert the microscope body gently.

TIP • The body clamping knob **a** can be attached to any of the three positions **b** around the arm. After installation, attach the knob to a position so that the knob does not come in the way of the light source, etc.

- If you always perform observation from the side of the focus adjustment knobs, the microscope body can be installed in the opposite orientation to that shown in figure (at the 180° rotated position).

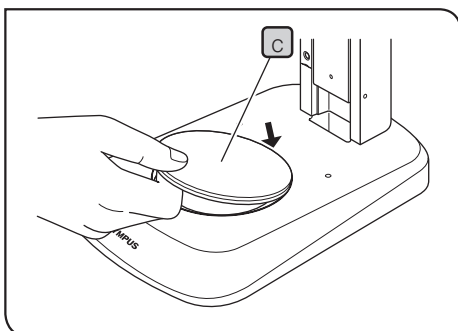


3 Mounting the Stage Plate

Mounting

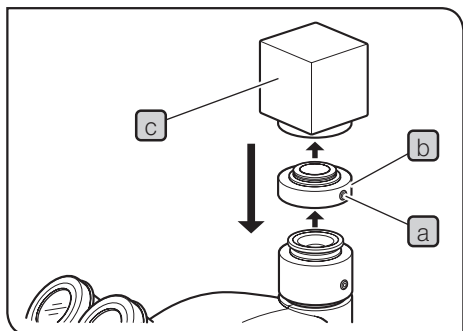
- 1 While applying the stage plate **c** to the stage plate holder spring **d**, fit the stage plate into the hole and push it from upward to secure the mounting.

TIP The stage plate **c** has the milky white and black surfaces. Select the side facing up according to the specimen.



Dismounting

- 1 Push the stage plate edge near the holder spring **d**. As this moves up the opposite edge of the stage plate, dismount it by holding that edge.



4 Mounting the Camera (SZ61TR only)

- 1 Using the Allen wrench, loosen the C-mount clamping screw **a** and remove the C-mount seat **b**.
- 2 Screw the C-mount seat **b** into the camera **c**.
- 3 Place the C-mount seat in the original position and tighten the clamping screw **a**.
- 4 Connect the cables and monitor to the camera.

8 OPTIONAL MODULES

8-1 BX Stage Adapter Type 1 SZX-STAD1

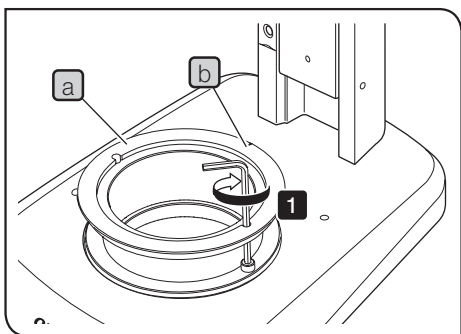
1 Introduction

The SZX-STAD1 is an adapter for use in mounting the U-SRG or U-SRP rotary stage on the SZ2-ST standard base, SZX2-ST standard base, large base or SZX2 illumination base. The U-SRP is used in combination with the U-FMP mechanical stage to enable movement in the X- and Y-directions, which is convenient for framing in photomicrography or camera observation. To compensate for the height of the stage adapter, it is recommended to use also the SZ2-ET auxiliary sleeve when the SZ2-ST is used or the SZH-P400 auxiliary column (and the SZX-R drop prevention ring also) when the SZX2-ST or SZX2 illumination base is used.

2 Applicable Bases and Restrictions

Base	Applicable Auxiliary Objectives	Restrictions
<ul style="list-style-type: none">• Standard base SZ2-ST SZX2-ST• Large base SZ-STL SZX2-STL	0.5X to 2X	None
<ul style="list-style-type: none">• Quad position LED transmitted light illumination base SZX2-ILLTQ• Single position LED transmitted light illumination base SZX2-ILLTS	STAD mount for ILLT SZX2-STADM is necessary for using the stage adapter. (Refer to the instruction manual for the SZX2-ILLTQ/ILLTS LED transmitted light illumination base.)	

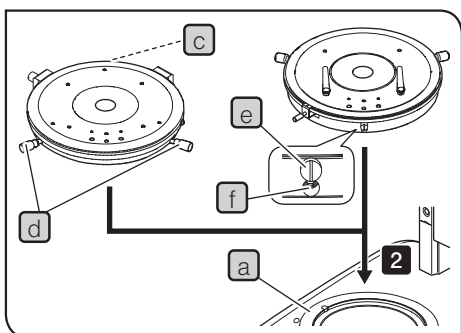
3 Installation



TIP Use the tools shown in the table below.

Tool	Description
Allen wrench (for M4 screw)	Provided with SZX-STAD1
Hexagon socket screw (M4)	Provided with SZX-STAD1

- 1 Place the notch **b** of SZX-STAD1 **a** on the back side of the base, and secure the screws (2 pcs.) using the Allen wrench to attach SZX-STAD1 **a** to a base.



- 2 Attach U-SRP or U-SRG2 to SZX-STAD1 **a**.

Attaching U-SRP

Place the positioning pin (cylinder type) **c** on the back side of the base, and rotate the centering knob **d** in clockwise direction to secure it.

Attaching U-SRG2

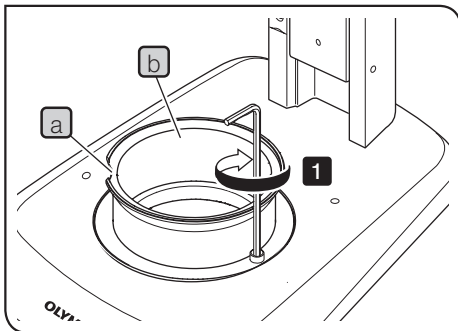
Place the protrusion **e** on the front side of the base, and rotate the clamping screw **f** in clockwise direction to secure U-SRG2 using the allen screwdriver provided with the microscope frame.

8-2 Stage Adapter Type 1 SZH-STAD1

The SZH-STAD1 is an adapter providing the similar function to the BX stage adapter type 1 (SZX-STAD1). The applicable stage is the BH2-SH horizontal knob stage.

1 Assembly

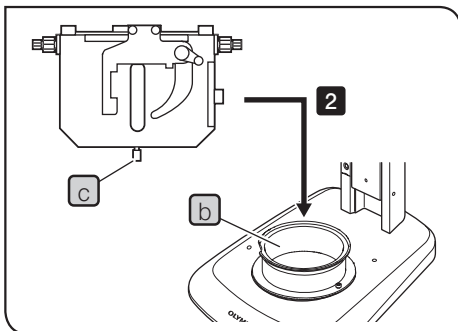
TIP STAD mount for ILLT SZX2-STADM is necessary for using the SZX2-ILLTQ/ILLTS LED transmitted light illumination base. For details, refer to the instruction manual for the SZX2-ILLTQ/ILLTS LED.



TIP Use the tools shown in the table below.

Tool	Description
Allen wrench (for M4 screw)	Provided with SZH-STAD1
Hexagon socket screw (M4)	Provided with SZH-STAD1

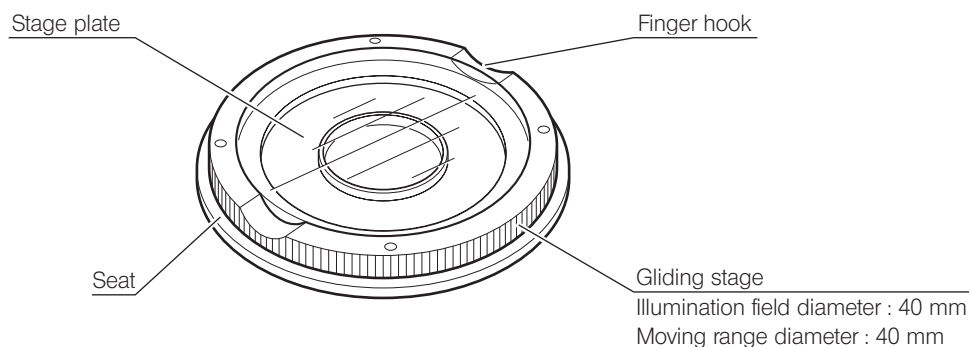
1 Placing the notch **a** on the front side of the base, secure the screws (2 pcs.) using the Allen wrench to attach SZX-STAD1 **b** to a base.



2 Place the stage clamping knob **c** of BH2-SH (horizontal knob stage) on the front of the base, rotate the clamping knob **c** in clockwise direction to secure it, and attach BH2-SH.

8-3 Gliding Stage SZH-SG

1 External View and Nomenclature

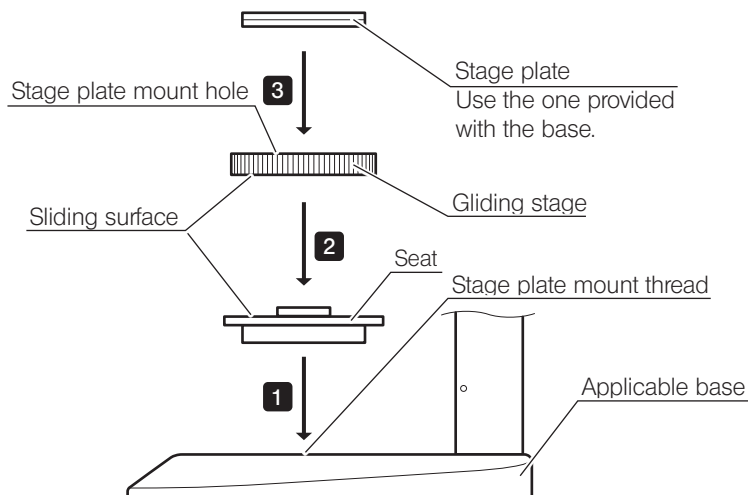


2 Installation

NOTE • Be sure to clean the sliding surface if dirt or metallic powder is attached on them.

• Do not place the gliding stage on the friction surface directly on the desktop.

TIP STAD mount for ILLT SZX2-STADM is necessary for using the SZX2-ILLTQ/ILLTS LED transmitted light illumination base. For details, refer to the instruction manual for the SZX2-ILLTQ/ILLTS LED.



TIP Clean the sliding surface periodically.

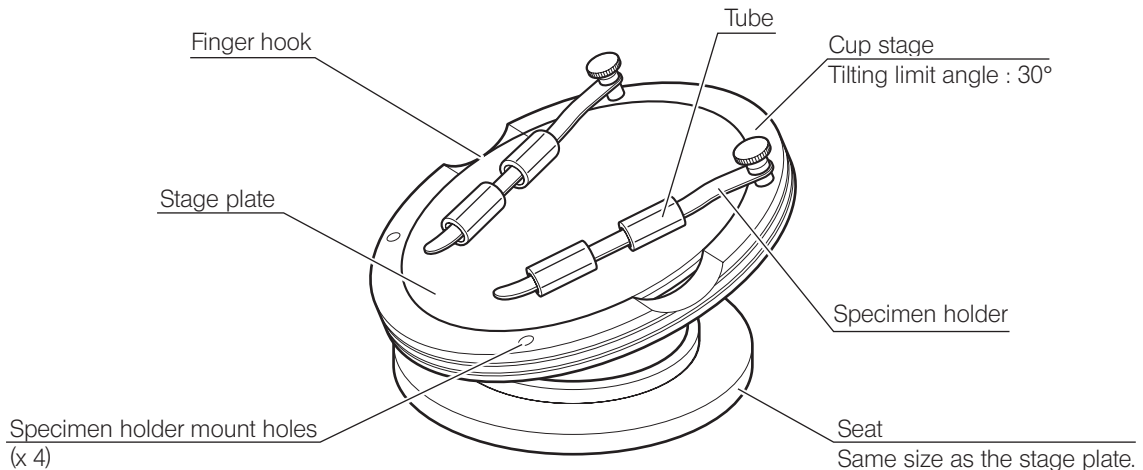
3 Operation

Hold the gliding stage by the edge and move it horizontally.

8-4 Cup Stage SZH-SC

1 External View and Nomenclature

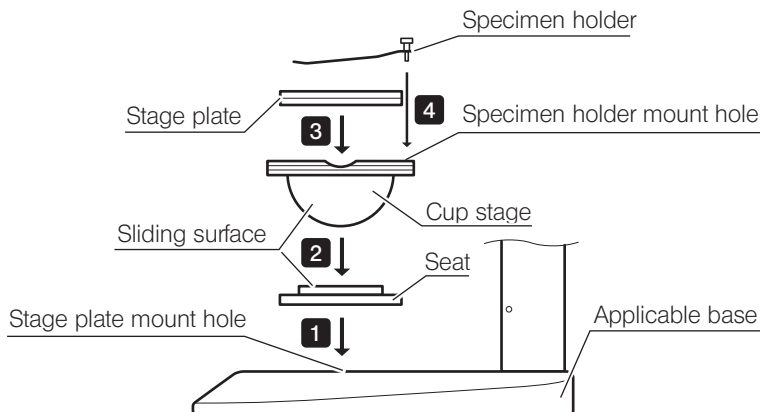
NOTE The SZH-SC can be used only with reflected light illumination.



2 Installation

NOTE Before mounting, remove dirt and dust from the mount surfaces and handle carefully so as not to damage them.

TIP STAD mount for ILLT SZX2-STADM is necessary for using the SZX2-ILLTQ/ILLTS LED transmitted light illumination base. For details, refer to the instruction manual for the SZX2-ILLTQ/ILLTS LED.



1 Fit the cup stage seat into the stage plate mount hole of an applicable base.

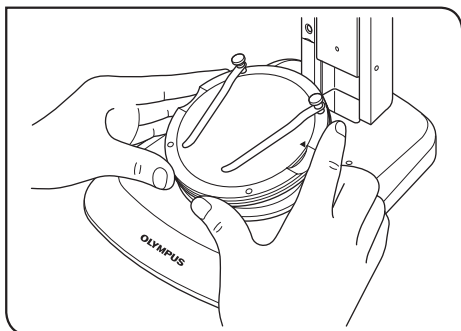
2 Place the cup stage on the seat. Before placing, wipe the sliding surface on the cup stage and seat with a clean cloth.

3 Mount the stage plate.

4 Mount the specimen holder.

TIP Clean the sliding surface periodically.

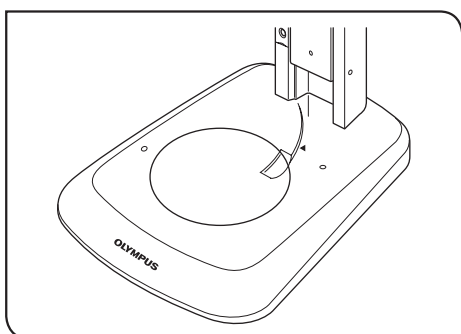
3 Operation



Place a specimen on the stage plate, hold the cup stage by the edge, and tilt the cup stage slowly.

TIP

If the specimen slips on the stage plate, hold the specimen with the provided specimen holder.



TIP

To fix a container such as a petri dish, insert the provided tube into the specimen holder to fix the container by pinching.

NOTE

- Do not touch the sliding surface on the cup stage and seat with a hand. If the sliding surface are contaminated, wash with a neutral detergent before use.
- If a load of more than 20 grams is applied to the edge of the cup stage, it may move spontaneously.
- When a tall specimen is placed and the cup stage is tilted, the specimen may go out of focus. In this case, adjust the focus again.

NOTE

To ensure operational safety of this product, the Safety Confirmation shown on the next page must be issued by the user when the user has this product maintained, repaired or serviced by Evident Corporation.

Since Evident is responsible for ensuring the safety of our distributors, maintenance personnel and personnel, we appreciate your cooperation in issuing the Safety Confirmation.

- The user must issue the Safety Confirmation each time this product is to be maintained, repaired or serviced by Evident.
- Copy the Safety Confirmation shown on the next page, fill it out, and submit it to Evident maintenance personnel.
- If the Safety Confirmation is not issued, we may not be able to provide maintenance, repairs or other services.
- If this product is contaminated, the user shall carry out decontamination work to the fullest extent possible prior to the arrival of our maintenance personnel.

Safety Confirmation when requesting repair/inspection

This safety confirmation is for asking you to fill out to ensure the health and safety of service personnel who pick up, repair, and/or inspect the products. Your cooperation would be highly appreciated.

Please note if the safety of service personnel cannot be ensured, your requests will not be accepted.

Please check the applicable checkboxes and circle the applicable items shown in parentheses.

Date of request	
Request details	<input type="checkbox"/> Repair (Off-site / On-site) <input type="checkbox"/> Inspection (Off-site / On-site)
Product name	
Serial Number	
Biosafety level and Confirmation of disinfection/sterilization of product	<input type="checkbox"/> BSL1 <input type="checkbox"/> BSL2 <input type="checkbox"/> BSL3 <input type="checkbox"/> BSL4* <input type="checkbox"/> Not applicable <input type="checkbox"/> With my signature, I hereby confirm that this product has been disinfected/sterilized according to the disinfection/sterilization rules of our facility. <input type="checkbox"/> Disinfection/sterilization of this product has not been carried out. *We do not accept repairs/inspections of products used in the BSL4 environment.
Facility name	
Department	
Signature	
Contact details Telephone, E-mail, etc.	

Manufactured by



Evident Corporation

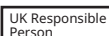
6666 Inatomi, Tatsuno-machi, Kamiina-gun, Nagano 399-0495, Japan

Distributed by



Evident Europe GmbH

Caffamacherreihe 8-10, 20355 Hamburg, Germany



Evident Europe GmbH – UK Branch

Part 2nd Floor Part A, Endeavour House, Coopers End Road, Stansted CM24 1AL, UK

Evident Scientific, Inc.

48 Woerd Ave, Waltham, MA 02453, USA

Evident Scientific Singapore PTE. LTD.

#04-04/05, 25 Ubi Rd 4, UBIX Singapore 408621

Evident Australia PTY LTD

Level 4, 97 Waterloo Road Macquarie Park NSW 2113, Australia

Life science solutions

Service Center



<https://www.olympus-lifescience.com/support/service/>

Official website



<https://www.olympus-lifescience.com>

Industrial solutions

Service Center



<https://www.olympus-ims.com/service-and-support/service-centers/>

Official website



<https://www.olympus-ims.com>