

U-D6RE

Septuple Revolving Nosepiece with Slider Slot for DIC



SPECIFICATIONS

Global item code / Local code for USA		3812400/ U-R156
Predecessor product information		None
Product Category		Nosepiece
Nosepiece	Method of rotating	Manual rotation
	Quantity of the holes	6
	Centerable	–
	Slider slot	Available
	Encoded	–
	Power supply method	–
Attached method	Illuminator or Arm	slide dovetail
	Objective lens	W 20.32 mm × 0.706 mm
	Slider	Slider size: 34 mm × 13.5 mm Length from the bottom surface of opening to mounting surface: 19 mm
ESD function		–
Weight		About 800 g
Country of Origin		Japan

SYSTEM ENVIRONMENT LIMITATIONS FOR OPERATION

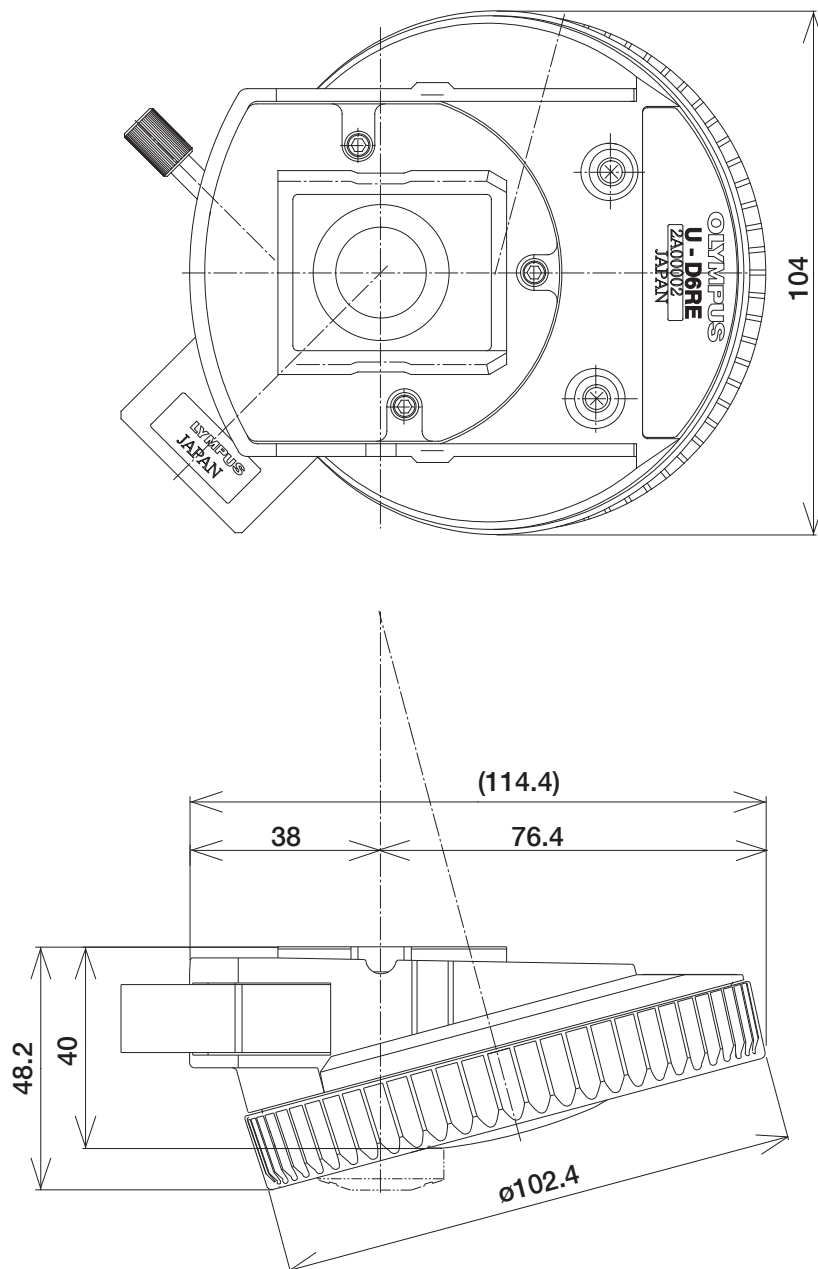
Environment	Indoor use
Temperature T0 [°C]	0 – 40
Humidity RH0 [%]	30 – 85

U-D6RE

PACKING LIST

Item		Quantity
Main unit	U-D6RE-B	1

MAIN DIMENSION



(Unit: mm)

· Specifications and appearances are subject to change without any notice or obligation on the part of the manufacturer.