

# INSTRUCTIONS

---

# SZ-STL

## LARGE-SIZE MICROSCOPE STAND

Optical Microscope Accessory

This instruction manual has been prepared for the Olympus Large-Size Microscope Stand Model SZ-STL, used with stereo microscopes. We recommend that this manual be read carefully before use so that you may obtain optimum performance from your model.

# CONTENTS

<b>1</b>	<b>SAFETY PRECAUTIONS</b>	<b>1</b>
<b>2</b>	<b>STANDARD CONFIGURATIONS</b>	<b>1</b>
<b>3</b>	<b>SPECIFICATIONS</b>	<b>2</b>
<b>4</b>	<b>NOMENCLATURE AND ASSEMBLY</b>	<b>3</b>
<b>5</b>	<b>OPERATION</b>	<b>4</b>
<b>1</b>	<b>SZ-STL1 Combination</b>	<b>4</b>
<b>2</b>	<b>SZ-STL2 Combination</b>	<b>4</b>

## ©Intended use

This instrument has been designed to be used to observe magnified images of specimens in routine and research applications.

Do not use this instrument for any purpose other than its intended use.

# 1 SAFETY PRECAUTIONS

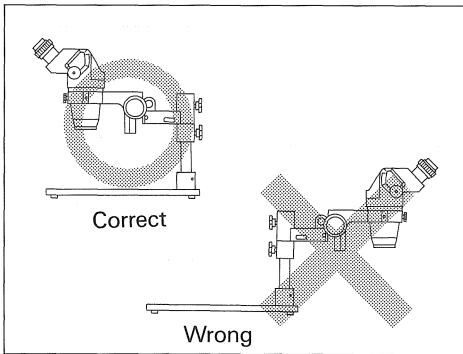


Fig. 1

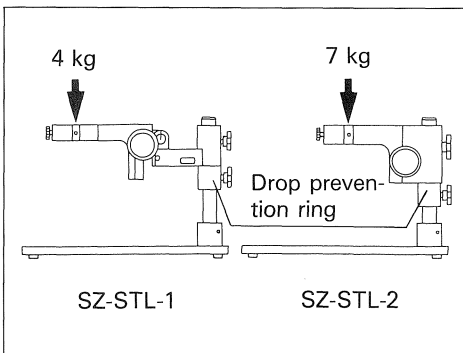


Fig. 2

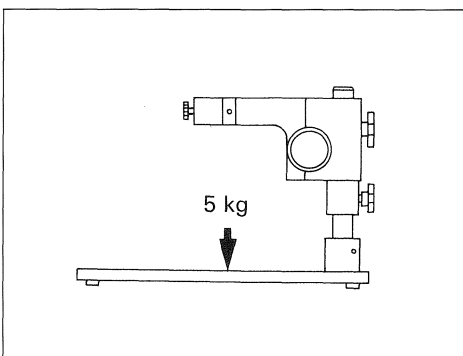


Fig. 3

- (1) After the equipment has been used in an observation of a specimen that is accompanied with a potential of infection, clean the parts coming in contact with the specimen to prevent infection.
  - Moving this product is accompanied with the risk of dropping the specimen. Be sure to remove the specimen before moving this product.
  - In case the specimen is damaged by erroneous operation, promptly take the infection prevention measures.
  - The product becomes unstable if its height is increased by an accessory mounted on it. In this case, take anti-toppling measures to prevent the specimen from being dropped when the product topples down.
- (2) Be sure to place the large-size microscope stand on a stable, horizontal surface that has a slope of less than 5°.
- (3) Be sure to correctly position the arm which is indicated as "o" in Fig. 1. Attaching the arm backwards may cause the stand to fall over, causing damage. (Fig. 1)
- (4) Certain load restrictions apply to the stand, as shown below:
  - 1) Arm load (Fig. 2)
    - SZ-STL-1 ..... up to 4kg (8.81lb)  
(Do not combine with photomicrographic equipment.)
    - SZ-STL-2 ..... up to 7kg (15.43lb)
  - 2) Specimen load (Fig. 3) ..... up to 5kg (11.02lb)
- (5) To prevent unintentional dropping of the microscope body (particularly the arm) be sure to secure the drop prevention ring so that it makes contact with the arm. (Fig. 2)
- (6) When placing specimens, such as printed circuit boards (which are susceptible to static electricity) onto the platform use a conductive mat or similar material.

# 2 STANDARD CONFIGURATIONS

Combination	Module	Quantity
Large-size Microscope Stand Type 1 SZ-STL-1	Large-size Microscope Stand SZ-STL (with Allen® wrench)	1
	Large-size Microscope Stand Arm SZ-STLA (with protective cap)	1
	Bonder Arm SZ2-STB1 (with Allen® wrench)	1
Large-size Microscope Stand Type 2 SZ-STL-2	Large-size Microscope Stand SZ-STL (with Allen® wrench)	1
	Arm for SZX Stand SZ2-ST5	1

# 3

## SPECIFICATIONS

### 1 External Dimensions

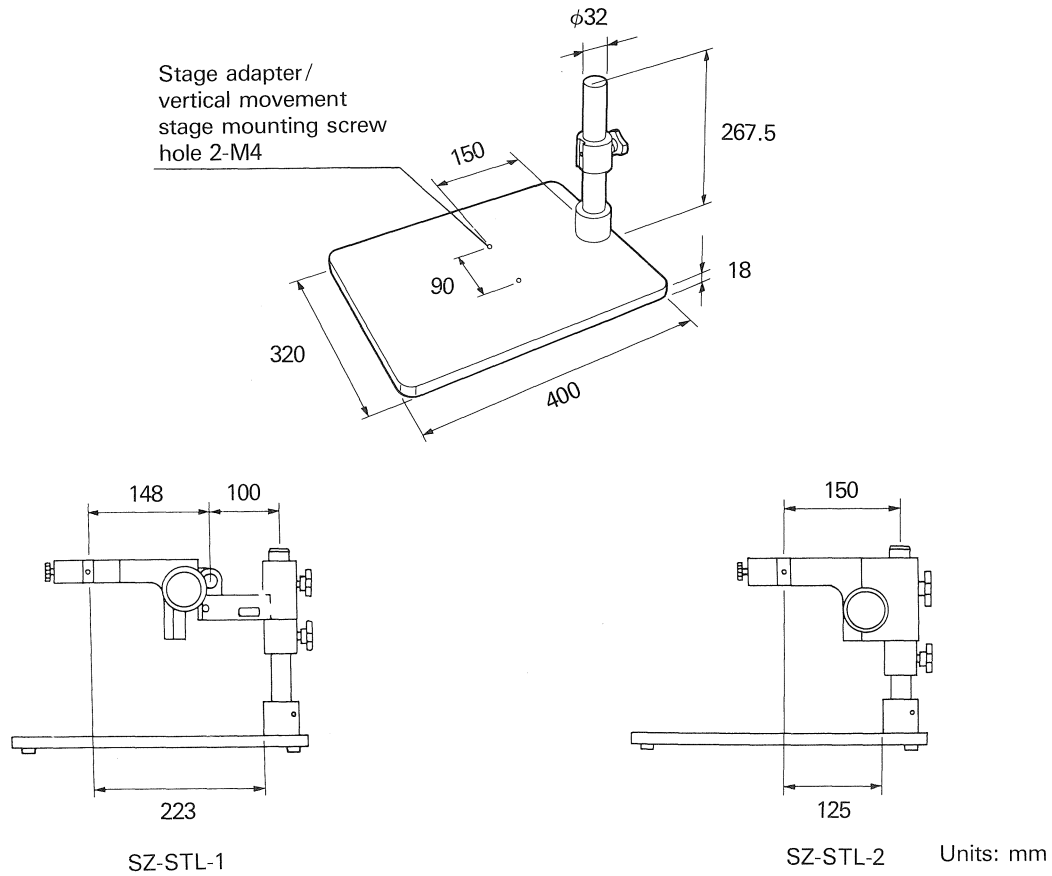


Fig. 4

### 2 Applicable Units

- (1) SZ2(SZ), SZX7 and SD/SF Series stereo microscopes
- (2) Although the SZX9/12 microscope may be attached directly to the SZ-STL's pillar, stability may be decreased due to the added weight. Never combine with photomicrographic equipment.
- (3) Stage mounting adapter SZX-STAD-1, SZH-STAD-1  
Vertical movement stage SZ2-FO
- (4) Epi-illuminator LSGA (mountable onto the bonder arm or arm for SZX stand)

# 4

## NOMENCLATURE AND ASSEMBLY

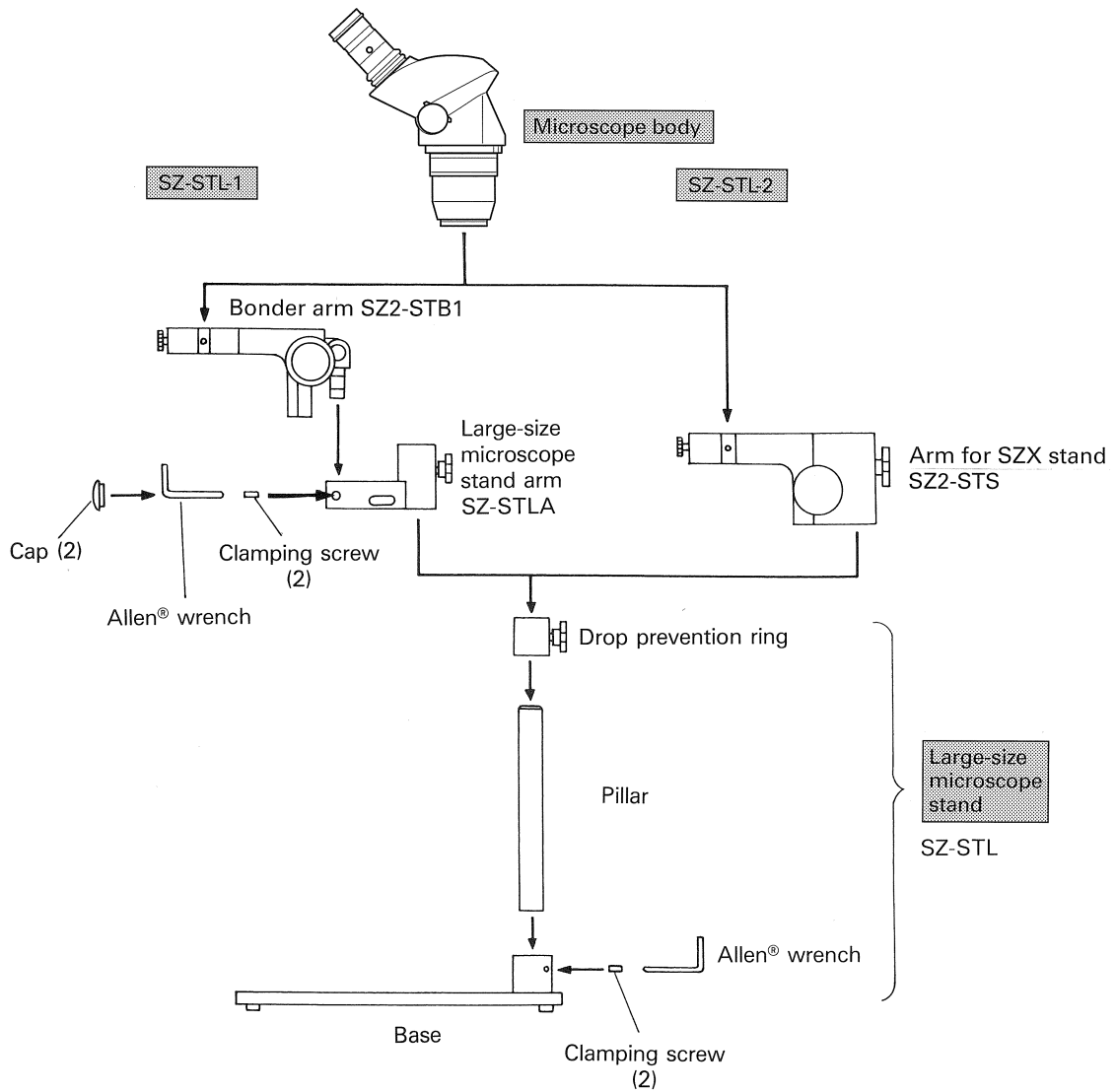


Fig. 5

★ When mounting the pillar and SZ2-STB1 bonder arm, tighten the two clamping screws securely with the Allen® wrench provided.

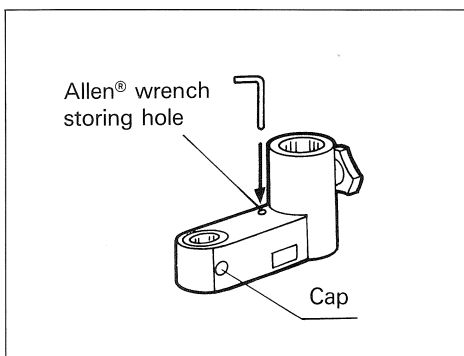


Fig. 6

★ With the SZ-STL-1, the Allen® wrench may be stored in the hole provided on the SZ-STLA large-size microscope stand arm. (Fig. 6)

★ With the SZ-STL-1, after mounting the bonder arm securely onto the large-size microscope stand arm, attach the protective caps to the clamping screws to prevent tampering. (Fig. 6)

# 5

## OPERATION

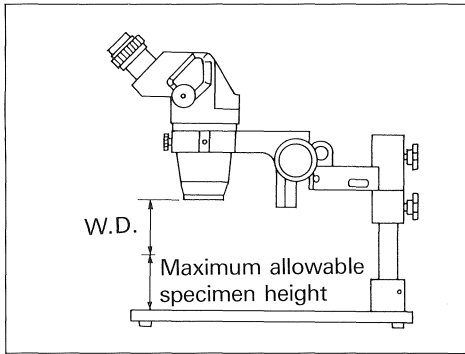


Fig. 7

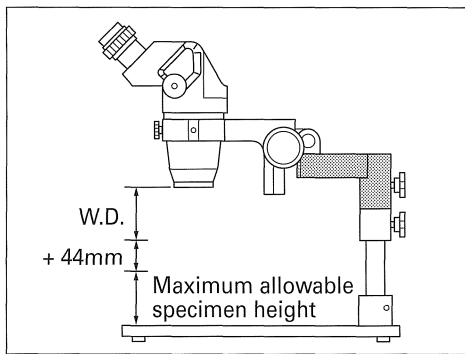


Fig. 8

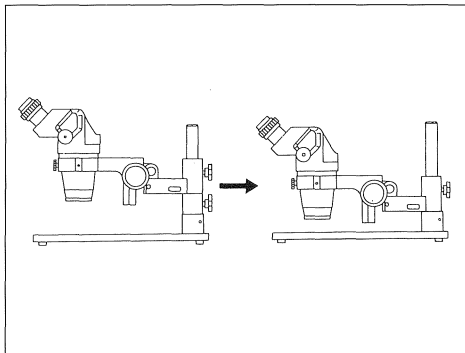


Fig. 9

### 1 SZ-STL-1 Combination

The maximum allowable height of specimens (Fig. 7), when combined with auxiliary objectives or regular objectives, are listed below:

Auxiliary objective magnification power	Microscope SD/SF, SZ2 (SZ40)	Objective magnification power	Microscope body SZX7
0.5 X	5	0.5 X	33
0.75 X	75	0.75 X	85
—	114	1 X (APO)	113
1.5 X	139	1 X (ACH)	130
2 X	152	1.25 X	143
		1.5 X	139
		2 X	140

- By attaching the large-size microscope stand arm in the reversed position, the maximum allowable specimen height may be increased by 44mm. (Fig. 8)

#### Use with high-magnification auxiliary objectives:

When 1.5x or 2x auxiliary objectives are in use, their working distance will be too short to focus on the base. In this situation, remove the drop prevention ring, and the microscope body will lower by approximately 46mm. (Fig. 9)

- ★ Be extremely careful to prevent the objective from coming into contact with the base.

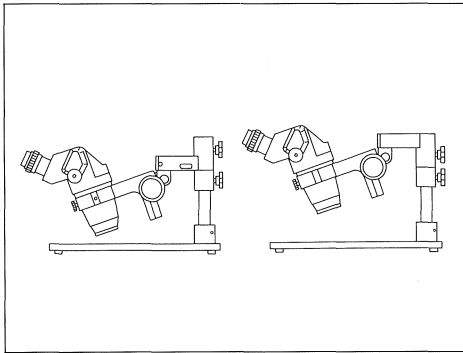


Fig. 10

**When the microscope body is tilted downward:**

With the bonder arm, the tilt angle of the microscope body may be changed. Should the microscope body be tilted downward, insert and clamp the bonder arm into the bottom of the large-size microscope stand arm. (Fig. 10)

- ★ If the bonder arm is attached to the bottom of the large-size microscope stand arm, it may come in contact with the base, depending upon the angle of the microscope body. Pay special attention when adjusting the angle to prevent the microscope body from hitting the base.
- ★ Refer to the instructions for the bonder arm when adjusting the bonder arm angle.
- ★ When the bonder arm is attached to the bottom of the large-size microscope stand arm, be sure to tighten the clamping screws securely, as a loose connection may permit the bonder arm to fall down.

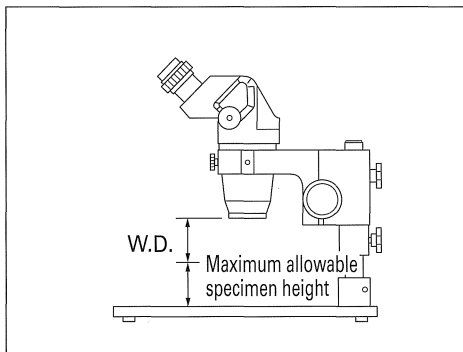


Fig. 11

**2 SZ-STL-2 Combination**

The maximum allowable height of specimens (Fig. 11), when combined with auxiliary objectives or regular objectives, is listed below:

Auxiliary objective magnification power	Microscope SD/SF, SZ2 (SZ40)	Objective magnification power	Microscope body SZX7
0.5 X	Not used	0.5 X	Not used
0.75 X	30	0.75 X	40
—	69	1 X (APO)	68
1.5 X	94	1 X (ACH)	85
2 X	106	1.25 X	98
		1.5 X	94
		2 X	95

This product is manufactured by **EVIDENT CORPORATION** effective as of Apr. 1, 2022.  
Please contact our "Service Center" through the following website for any inquiries or issues related to this product.

## **EVIDENT CORPORATION**

6666 Inatomi, Tatsuno-machi, Kamiina-gun, Nagano 399-0495, Japan

(Life science solutions)

### **Service Center**

<https://www.olympus-lifescience.com/support/service/>



(Life science solutions)

### **Our Website**

<https://www.olympus-lifescience.com>



(Industrial solutions)

### **Service Center**

<https://www.olympus-ims.com/service-and-support/service-centers/>



(Industrial solutions)

### **Our Website**

<https://www.olympus-ims.com>

