

TRINOCULAR INTERMEDIATE TUBE

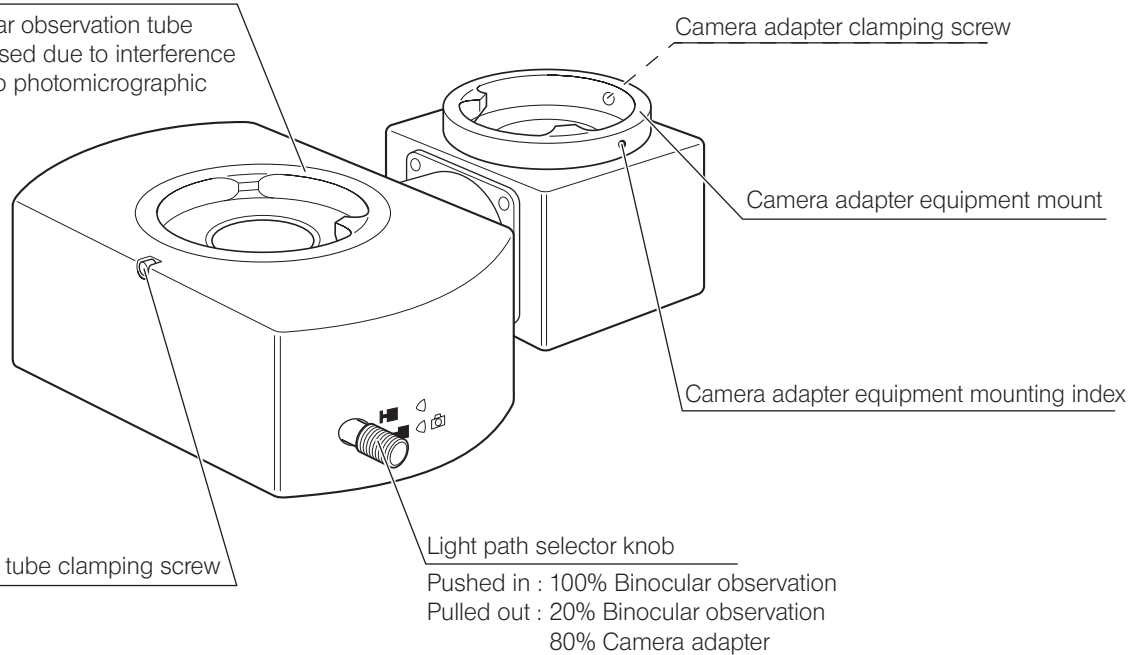
U-TRU

This attachment is an intermediate attachment type photo tube employing a UIS/UIS2 (Universal Infinity System) optical design. By inserting it between the binocular observation tube and microscope frame, photomicrography and TV observation are available.

1 External View

Binocular observation tube mount

Note) The trinocular observation tube cannot be used due to interference between two photomicrographic devices.



2 Installation

Install the attachment on the microscope frame in the same way as the binocular observation tube.

For the mounting orientation, the photo/TV equipment can be located on the deeper side, left side or right side as desired.

3 Precautions for Operation

There are restrictions when using this product in combination with microscope, observation tube, intermediate attachment and camera. For details, refer to the instruction manual for the respective product to be combined.

- Always use the viewer of the photographic equipment for framing or focusing of the photographs.
- With specimens with high reflectivity or high contrast, ghost may be observed.



AX9890 05

Issued in March, 2022



AX9890