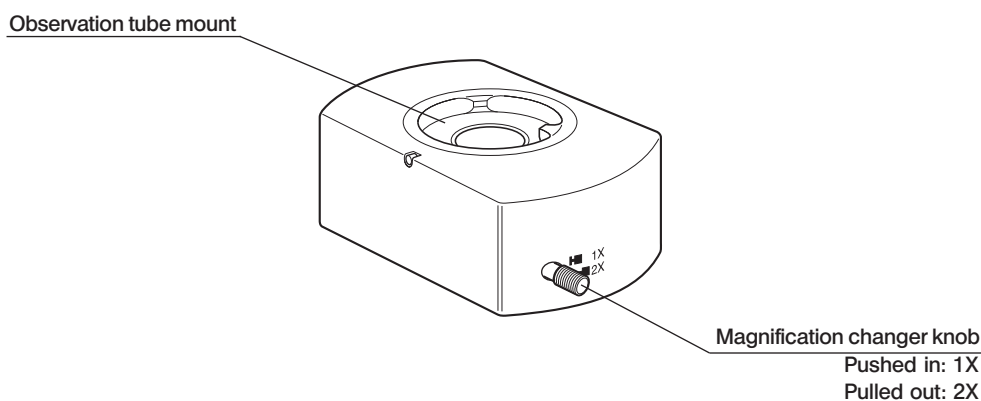


This attachment employs a UIS/UIS2 (Universal Infinity System) optical design. It is used to change the magnification between 1X and 2X and is effective in framing for photomicrography, etc.

1 External View



2 Installation

Install the attachment on the microscope frame in the same way as the observation tube.

For the mounting orientation, the magnification changer knob can be located on the front, left side or right side as desired.

Applicable Microscope

BX40, BX40CY*, BX41, BX43, BX50, BX51, BX53, BX60*, BX61, IX51, IX71, IX81, CX41, MX51, MX61, GX41, GX51, GX71

* When you combine with the BX40CY or BX60, no other intermediate attachment can be attached.

Applicable Observation Tubes and Intermediate Attachments

- U-BI30/BI30-2, U-TR30/TR30-2: Another intermediate attachment can be used.
- U-TBI-2/U-TBI-3: No other intermediate attachment can be used.

3 Precautions for Operation

- Adjust focus separately at each magnification.
- With specimens with high reflectivity or high contrast, ghost may be observed.