

## U-TV1X-2

Video Port 1X



### SPECIFICATIONS

|  |   |
|--|---|
| Global item code / Local code for USA    | N2757400 / U-V1127  |
| Predecessor product information          | None  |
| Product Category                         | Video Camera Port   |
| Magnification (Focal length)             | 1X (-)  |
| Projection Area                          | ø22 mm (In combinations with U-CMAD3)<br>However, the value may be less than this value depending on combinations with objectives, illuminators, intermediate attachments, etc. |
| Focal Plane Position                     | Refer to MAIN DIMENSION   |
| Mounting Method for tube                 | Circular dovetail (fixing with a tool)  |
| Parfocality adjustment of imaging device | ±2 mm<br>Adjustment by moving the mount by rotating the screw thread  |
| Centering adjustment                     | None  |
| Weight                                   | About 93 g  |
| Country of Origin                        | China   |

### SYSTEM ENVIRONMENT LIMITATIONS FOR OPERATION

|                     |            |
|---------------------|------------|
| Environment         | Indoor use |
| Temperature T0 [°C] | 5 – 40     |
| Humidity RH0 [%]    | 30 – 85    |

# U-TV1X-2

## RESTRICTIONS

Optical performance may deteriorate when an objective lens other than UIS2 is combined.

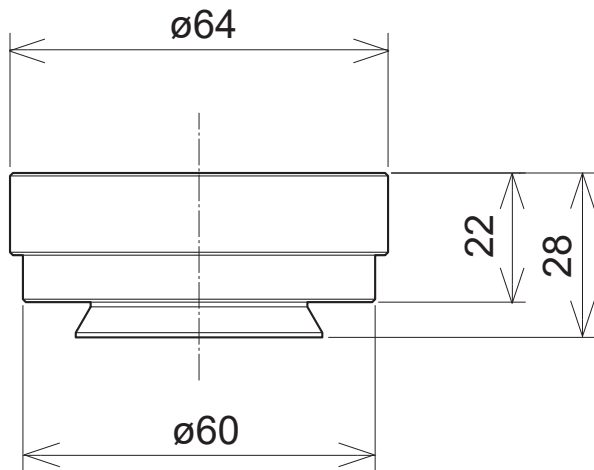
Optical performance may deteriorate depending on the combination with a laser.

Vignetting may occur depending on the length of the intermediate tube.

## PACKING LIST

| Item         | Quantity |
|--------------|----------|
| Adapter unit | 1        |

## MAIN DIMENSION



(Unit: mm)

· Specifications and appearances are subject to change without any notice or obligation on the part of the manufacturer.