

WHSZ15X-H

Eyepiece



SPECIFICATIONS

Global item code / Local code for USA	N1198100 / 2-S155H
Predecessor product information	None
Field Number	16
Diopter correction	-8 – +5 (1/m)
Reticle	Reticle is removable. The engraved surface faces the microscope frame. (Reticle size: Outer diameter 24 mm, thickness 1.5 mm)
Mounting Method for tube	Fitting type
Weight	About 88 g
Country of Origin	Philippines

SYSTEM ENVIRONMENT LIMITATIONS FOR OPERATION

Environment	Indoor use
Temperature T0 [°C]	5 – 40
Humidity RH0 [%]	30 – 85

RESTRICTIONS

Optical performance may deteriorate when an objective lens other than UIS2 is combined.

Optical performance may deteriorate depending on the combination with a laser.

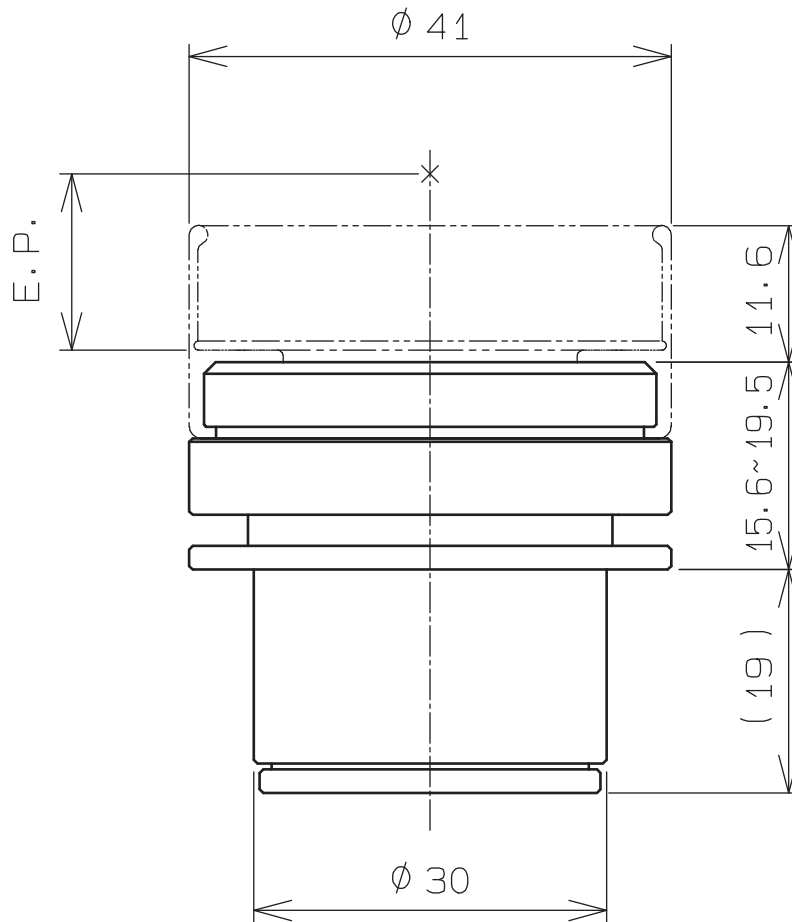
Vignetting may occur depending on the length of the intermediate tube.

WHSZ15X-H

PACKING LIST

Item	Quantity
Eyepiece	1

MAIN DIMENSION



(Unit: mm)

· Specifications and appearances are subject to change without any notice or obligation on the part of the manufacturer.