

OmniScan X3 and OmniScan X3 64 PA/UT Flaw Detector Getting Started Guide

Intended Use

The OmniScan X3 flaw detector is designed to perform nondestructive inspections of industrial and commercial materials. Do not use the OmniScan X3 for any purpose other than its intended use.

NOTE

The OmniScan X3 and OmniScan X3 64 flaw detector hereinafter called OmniScan X3 unless otherwise specified.

Instruction Manual

Before use, thoroughly review the *OmniScan X3 and OmniScan X3 64 User's Manual* and *OmniScan MXU Software User's Manual*. Use the product as instructed. The user's manuals contain essential information on how to use this Evident product safely and effectively. Keep this guide and the user's manuals in a safe, accessible location.

Safety Signal Words



DANGER

Indicates an imminently hazardous situation and calls attention to a procedure, practice, or the like that if not correctly performed or adhered to will result in death or serious personal injury.



WARNING

Indicates a potentially hazardous situation and calls attention to a procedure, practice, or the like that if not correctly performed or adhered to could result in death or serious personal injury.



CAUTION

Indicates a potentially hazardous situation and calls attention to an operating procedure, practice, or the like that if not correctly performed or adhered to may result in minor or moderate personal injury, material damage, particularly to the product, destruction of part or all of the product, or loss of data.

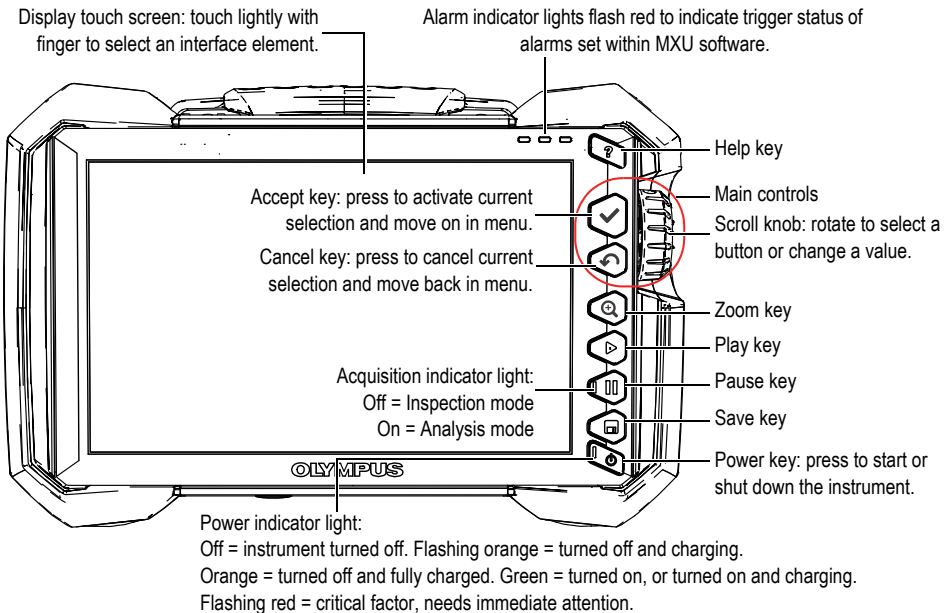
Package Content

The OmniScan X3 package includes the following items:

- OmniScan X3 flaw detector
- Transport case
- Li-ion battery (1)
- Screen protector (1)
- DC power adaptor
- Power cord (model varies according to country)
- Empty USB key for file transfer purposes
- Wireless LAN dongle (model varies according to country)
- USB key loaded with latest OmniPC 5.x software revision and user's manuals. Includes:
 - Instrument software
 - *OmniScan X3 and OmniScan X3 64 Getting Started Guide*
 - *OmniScan X3 and OmniScan X3 64 User's Manual*
 - *OmniScan MXU Software User's Manual*

Instrument Overview and Connections

Review all safety information before use, including "Battery Precautions" on page 6 and "Electrical Warnings" on page 7.

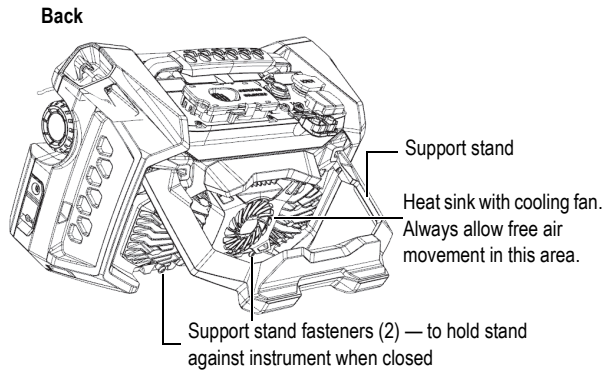
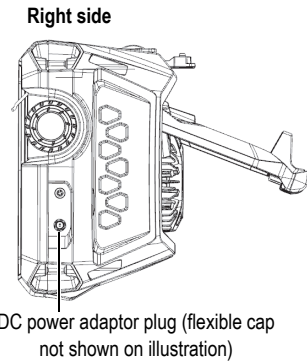
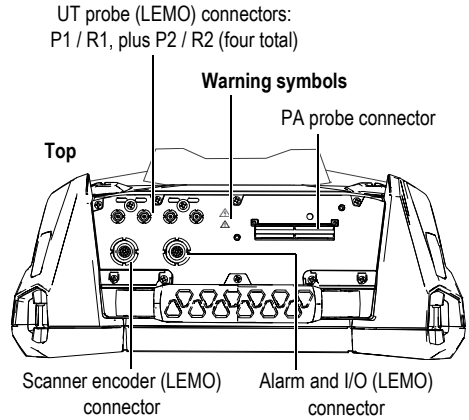
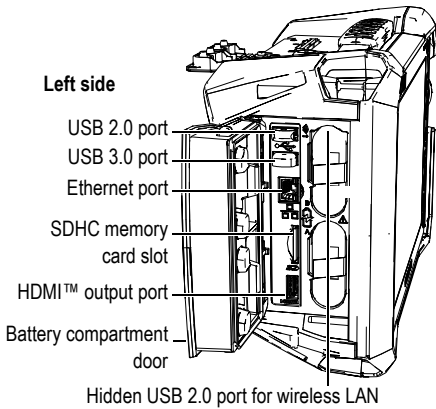




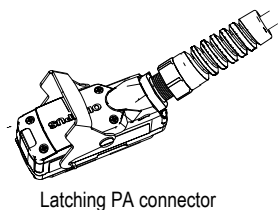
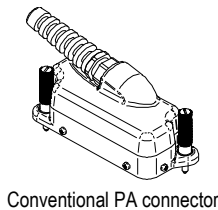
CAUTION



To avoid the risk of electric shock, do not touch the inner conductor of the probe connectors. Up to 350 V can be present on the inner conductor of the UT connectors, and up to 120 V can be present on the PA connector. The warning symbols between the connectors in the illustration below warn of this electric shock risk.



Compatible connectors



To Charge a Battery

IMPORTANT

- Before charging the battery, review “Battery Precautions” on page 6.

- The maximum ambient temperature for OmniScan X3 battery charging is 30 °C. Above this temperature, the battery will not charge, although the OmniScan X3 flaw detector can be operated up to a maximum ambient temperature of 45 °C.
 - The lithium-ion batteries are not fully charged when the OmniScan X3 is shipped. You must charge the batteries for two to three hours before using the battery power to operate the instrument.
-



WARNING

The OmniScan X3 DC power adaptor (P/N: OMNI-A-AC [U8767093]) is designed to power the OmniScan X3 and charge the lithium-ion batteries only (P/N: OMNI-A-BATT [U8760010]). Do not attempt to charge any other type of battery, or use any other chargers/adaptors (except those recommended by Evident—for example, the optional external battery charger, P/N: OMNI-A-CHRG [U8767077]). Doing so might cause an explosion or injury. Do not attempt to power or charge other electronic equipment with the DC power adaptor (P/N: OMNI-A-AC [U8767093]) or external battery charger (P/N: OMNI-A-CHRG [U8767077]), unless specifically instructed in the manual. Misuse of the DC power adaptor or external battery charger can cause other batteries and/or instruments to explode, which could lead to serious injury or death.

- ◆ Connect the OmniScan X3 flaw detector to the DC power adaptor that is connected to an appropriate AC power source.

OR

Insert a battery into the optional external battery charger (P/N: OMNI-A-CHRG [U8767077]) that is connected to an appropriate AC power source.

Battery charging in the OmniScan X3 flaw detector is performed as follows:

- When the OmniScan X3 is turned off:

When the OmniScan X3 is connected to a proper DC power source and is turned off, it will automatically recharge the battery.








The power indicator light flashes orange to indicate that the battery is currently being recharged. When the charge is complete, the power indicator light emits a steady orange light. The battery can take up to 3 hours to fully charge from a completely discharged state (less than 5 % remaining charge).

- When the OmniScan X3 is running:

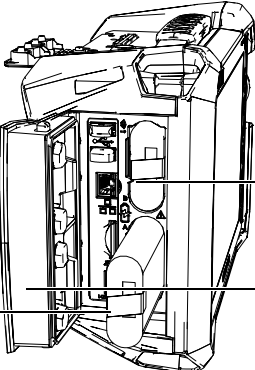
When the OmniScan X3 is running and connected to a proper DC power source, it will automatically recharge the battery. The power indicator light is green during charging (when running).

Because the OmniScan X3 is running, less power is available from the DC source to recharge the battery. As such, it could take up to 8 hours to charge a completely discharged battery.

Battery charge status indicators in the software interface are shown below.

-  Missing or incorrectly installed battery
-  Fully charged (disconnected from DC power adaptor)
- 32 %  Battery level (combined remaining charge percentage)
Level increments in 10 % steps (0–100 %)
-  Charging (interior blinking) with percentage of charge attained
-  Fully charged (connected to DC power adaptor)
-  Too hot to charge
-  Too hot to operate, or critical temperature (rapid blinking)

To Remove and Install a Battery

- 
1. Push the two latches on outside of battery compartment door to open it.
 2. Push battery inward, then pull leftward on tab, and pull battery out.
 3. Align groove on new battery with key in compartment, push battery in until it bottoms, and then pull rightward to lock it in place.
 4. Close battery compartment door, and make sure that both latches lock when closed.

To insert a wireless LAN dongle

The wireless LAN dongle is part of the standard inclusions of the OmniScan X3 package.

- ◆ To access the port, remove the top battery, then push against the cover at the top of the interior of the battery compartment, and pull it out.



To Turn On the OmniScan X3


1. Press and hold the Power key () for one second.

The system starts up, performs a memory check, and the launch screen appears.

If the system encounters a problem during the start-up phase, the power indicator light will indicate the nature of the problem using a color code.

2. Tap to start the desired application and/or, if applicable, configure connections such as a removable drive, wireless, or cloud.

To Turn Off the OmniScan X3

1. Quickly press the Power key () .
2. Tap the **Shut Down** button on the confirmation window to turn off the OmniScan X3 flaw detector.

IMPORTANT

If the OmniScan X3 does not react after a short press of the Power key (or after selecting **Shut Down**), press and hold the Power key for at least five seconds. This initiates a power-down sequence.

However, your setup will NOT be saved with this method.



CAUTION

Never attempt to turn off the OmniScan X3 by removing all power sources, because this could cause a faulty start-up the next time you turn it on.

Battery Precautions



CAUTION

- Before disposing of a battery, check your local laws, rules, and regulations, and follow them accordingly.
- Transportation of lithium-ion batteries is regulated by the United Nations under the United Nations Recommendations on the Transport of Dangerous Goods. It is expected that governments, intergovernmental organizations, and other international organizations shall conform to the principles laid down in these regulations, thus contributing to worldwide harmonization in this field. These international organizations include the International Civil Aviation organization (ICAO), the International Air Transport Association (IATA), the International Maritime Organization (IMO), the US Department of Transportation (USDOT), Transport Canada (TC), and others. Please contact the transporter and confirm current regulations before transportation of lithium-ion batteries.
- For California (USA) only:
The CR battery contains perchlorate material, and special handling may be required. Refer to <http://www.dtsc.ca.gov/hazardouswaste/perchlorate>.
- Do not open, crush, or perforate batteries; doing so could cause injury.
- Do not incinerate batteries. Keep batteries away from fire and other sources of extreme heat. Exposing batteries to extreme heat (over 80 °C) could result in an explosion or personal injury.
- Do not drop, hit, or otherwise abuse a battery, as doing so could expose the cell contents, which are corrosive and explosive.

- Do not short-circuit the battery terminals. A short circuit could cause injury and severe damage to a battery making it unusable.
- Do not expose a battery to moisture or rain; doing so could cause an electric shock.
- Only use the OmniScan X3 unit or an external battery charger approved by Evident to charge the batteries.
- Only use batteries supplied by Evident.
- Do not store batteries that have less than 40 % remaining charge. Recharge batteries to between 40 % and 80 % capacity before storing them.
- During storage, keep the battery charge between 40 % and 80 %.
- Do not leave batteries in the OmniScan X3 unit during instrument storage.

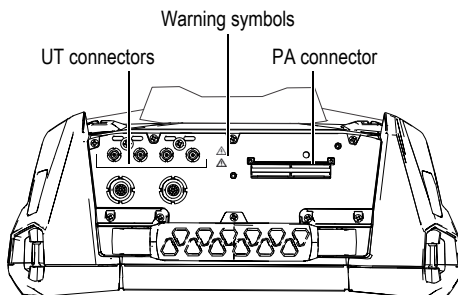
Electrical Warnings



CAUTION



- To avoid the risk of electric shock, do not touch the inner conductor of the probe connectors. Up to 350 V can be present on the inner conductor of the UT connectors, and up to 120 V can be present on the PA connector. The warning symbols between the connectors in the illustration below warn of this electric shock risk.
- The instrument must only be connected to a power source corresponding to the type indicated on the rating label.
- If an unauthorized power supply cord is used to power the instrument or charge the batteries, Evident cannot guarantee the electrical safety of the equipment.



Equipment Disposal

Before disposing of the OmniScan X3 flaw detector, check your local laws, rules, and regulations, and follow them accordingly.

Trademarks

The terms HDMI and HDMI High-Definition Multimedia Interface, and the HDMI Logo are trademarks or registered trademarks of HDMI Licensing Administrator, Inc. in the United States and other countries.

SD Logo is a trademark of SD-3C, LLC.



All brands are trademarks or registered trademarks of their respective owners and third party entities.

EVIDENT CANADA, 3415, Rue Pierre-Ardouin, Québec (QC) G1P 0B3
Canada

EvidentScientific.com

Printed in Canada • Copyright © 2022 by Evident. All rights reserved.



50%

Part ID: Q7780038



DMTA-20103-01EN
Rev. 6, September 2022



Printed on Rolland Hitech50,
which contains 50 % post-
consumer fiber.