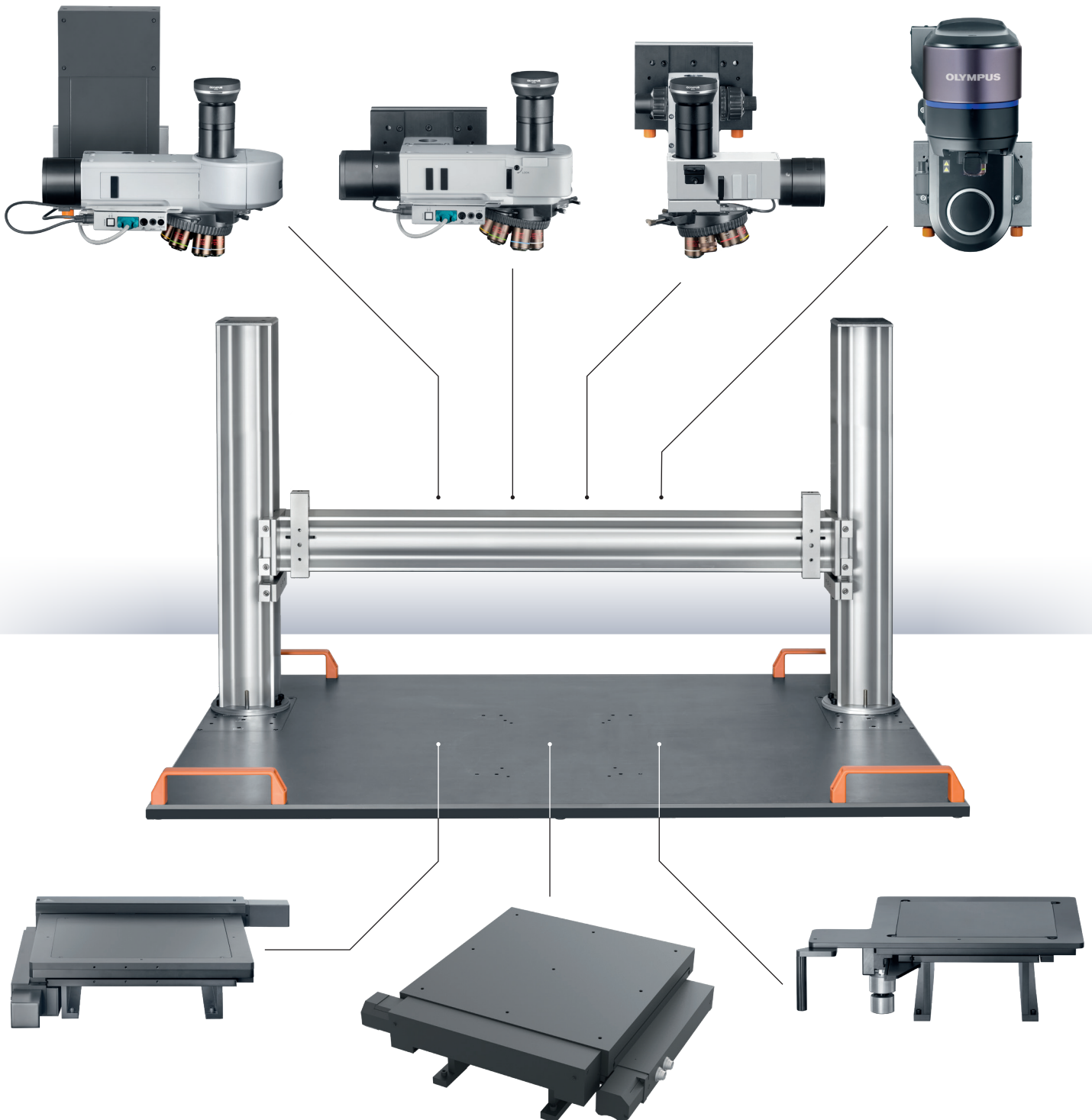


# Universal Bridge Stand

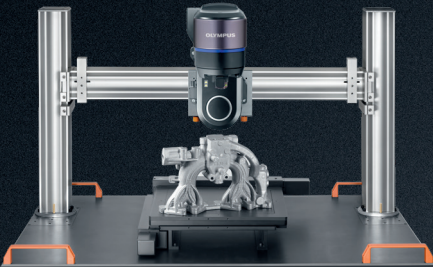
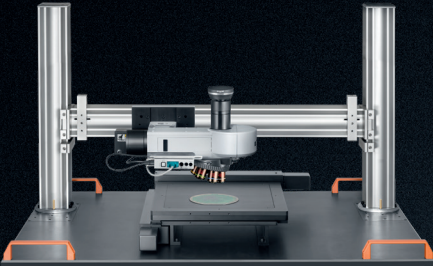
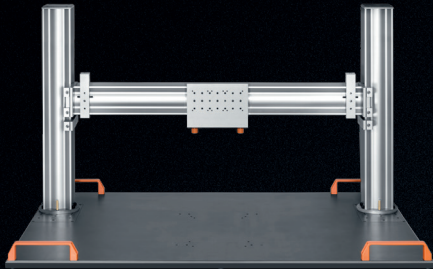
Our Universal Solution for Microscopy Applications





# Universal Bridge Stand

Our Universal Bridge Stand has a multitude of configurations to suit your requirements, no matter how much they vary. With a single base plate for all configurations, our most versatile and easy-to-configure bridge stand to date is a highly streamlined solution for a wide variety of sample types and sizes.

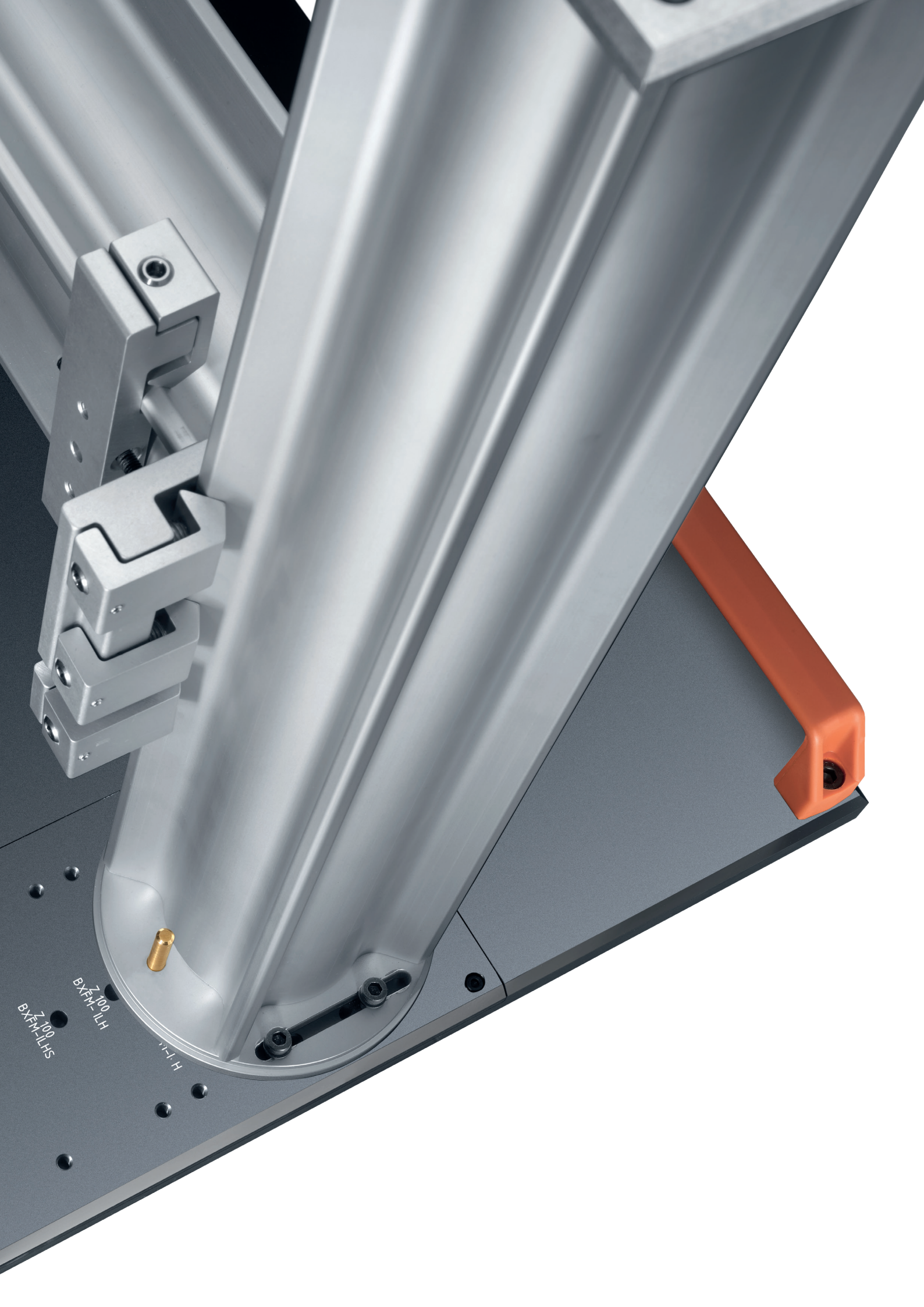


## The Advantages

- A single bridge stand for many diverse configurations
- One adapter for multiple illuminators
- One versatile solution for big and small samples
- Compatible with BXFM and DSX series of microscopes
- Both manual and motorized adjustments possible for X, Y & Z axis
- Universal Base Plate enables a wide range of applications

BXFM-A  
BXFM-F





Z 100  
BXFM-ILH  
Z 100  
BXFM-ILHS

H 1-H



# An Adaptable and Simplified Solution

## Why Have We Updated Our Bridge Stand?

Our BXFM Bridge Stands have successfully integrated our multi-component microscopes for many years. Since expanding our product range and developing more specialized microscope components, we recognize the demand for a more versatile and ubiquitous solution. Over the years, various bridge stand designs have been developed to incorporate specific illuminators, Z axis movements and stages. This has led to complexity in choosing the correct stand and adapters, making it challenging to select the correct configuration and components to suit your needs.

## Our Streamlined Solution

The streamlined Universal Bridge Stand eliminates the need for lots of complicated components. Our innovative design comprises two bridge stand stages: small (up to 150mm) and large (up to 300mm). The Universal Bridge Stand exhibits vastly increased versatility, and can do the work of more than fifteen of our older models! The single universal adapter is also compatible with all BXFM and BXFMA illuminators enabling increased flexibility and multiple applications.

Our Universal Bridge Stand serves most needs but if you require an entry-level solution please go to section 6.

## Even More Versatility!

**Our Universal Bridge Stand Is Compatible with DSX Zoom Heads.**

Article No.	Name	Comment	Dimensions
E0437211	CUS-BXFM-ULBS	The large bridge stand is compatible with the 200 and 300 mm stages	1200x850x20
E0437212	CUS-BXFM-USBS	The small bridge stand is compatible with stages up to 150 mm	1000x650x20





# Bridge Stand Solution

For **BXFM** Microscopes





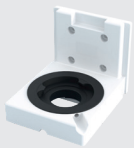
# Configure Your BXFM Bridge Stand with 5 Simple Steps

With our Universal Bridge Stand, it is now easier than ever to configure your microscope to suit your requirements.

Explore our range of compatible microscope components and learn how to easily configure your apparatus for your day-to-day application(s).

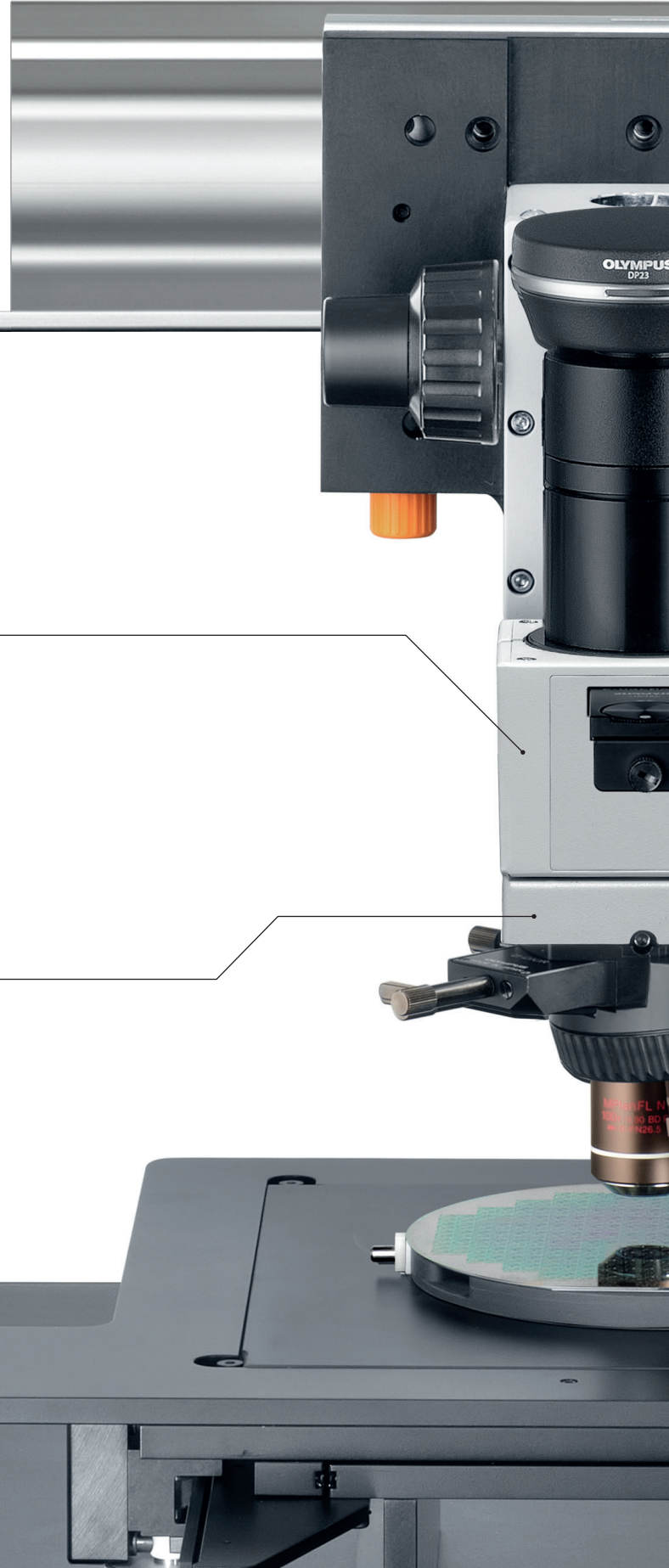
## 1. Illuminator

We offer a wide range of versatile illuminators to suit your desired application(s). Ensure you choose the correct light source and nosepiece to create the right configuration.

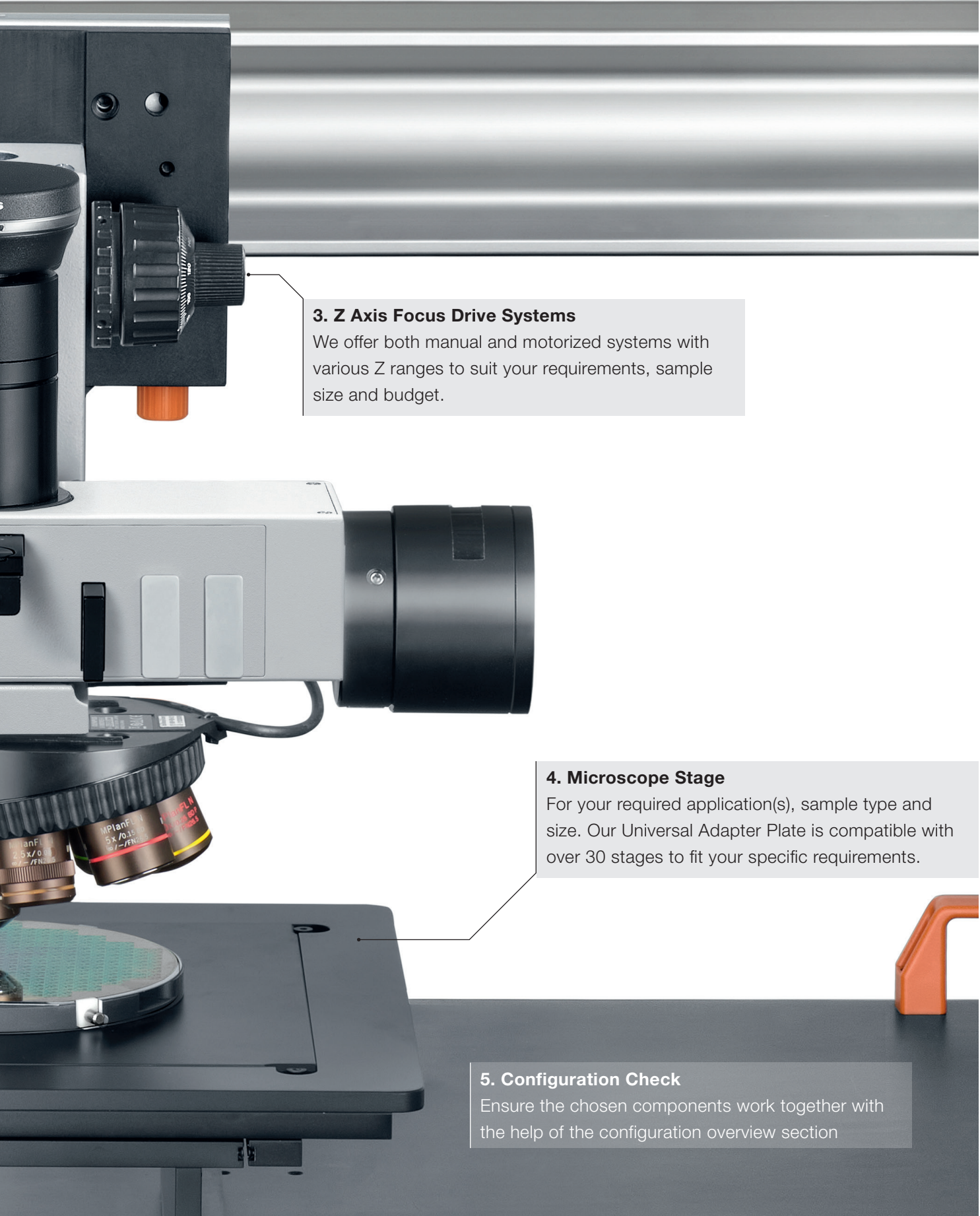


## 2. Illuminator Holder

These are designed to fix your chosen illuminator to your Universal Bridge Stand. It is critical to use the right holder for the appropriate illuminator.







**3. Z Axis Focus Drive Systems**  
We offer both manual and motorized systems with various Z ranges to suit your requirements, sample size and budget.

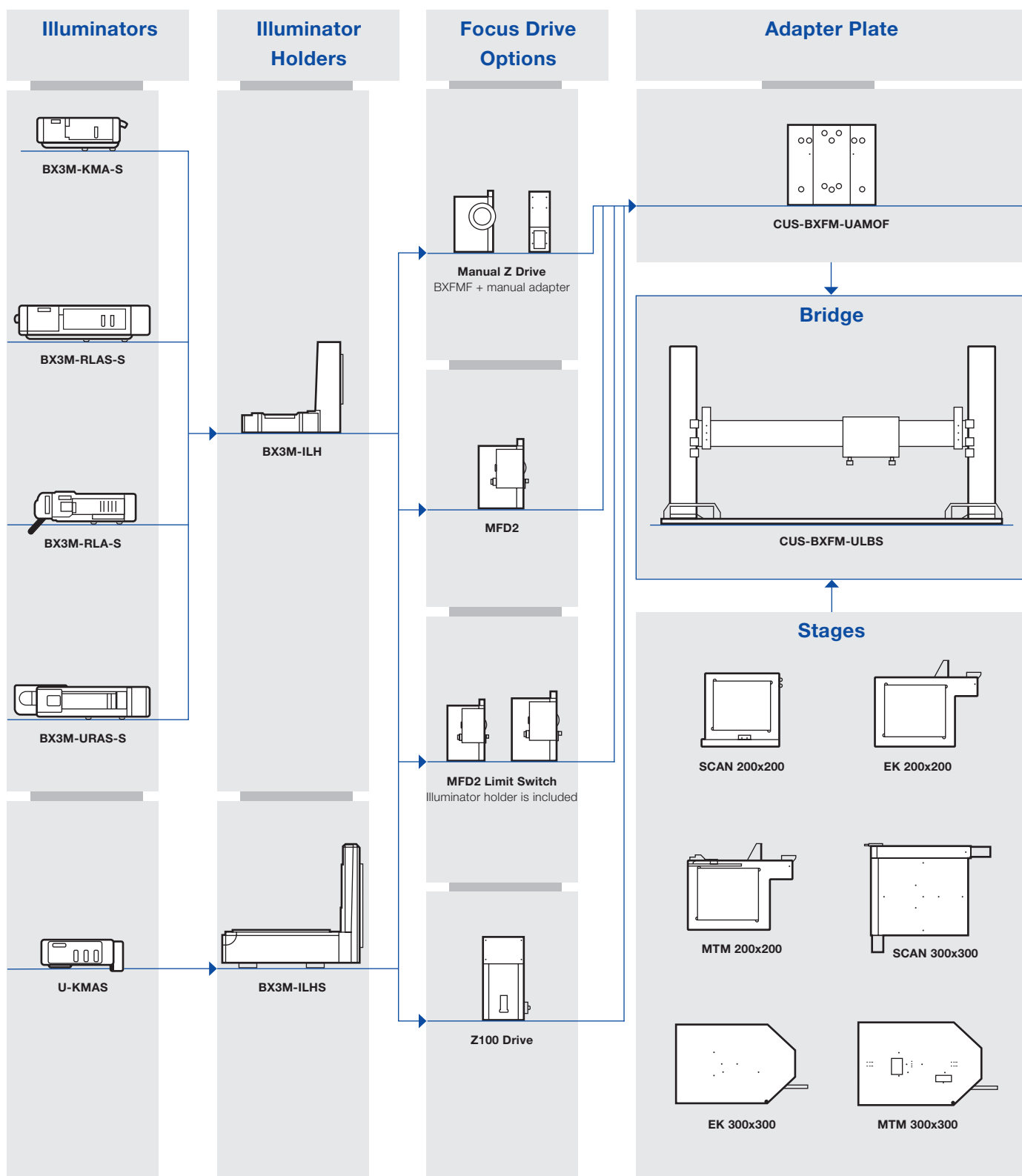
**4. Microscope Stage**  
For your required application(s), sample type and size. Our Universal Adapter Plate is compatible with over 30 stages to fit your specific requirements.

**5. Configuration Check**  
Ensure the chosen components work together with the help of the configuration overview section



# BXFM Configuration Overview

Easily determine your set up with this at-a-glance guide. We will look at the individual components in more detail over the coming pages.





# Bridge Stand Solution

Illuminators, Light Source & Nosepiece

# 2





# BXFM: Illuminators & Light Sources

## Illuminator Holders & Nosepiece

- Illuminators 1-4 can be fixed to your Universal Bridge Stand with Illuminator Holder BX3M-ILH
- Due to the larger design of Illuminators 1-4 it is highly recommended that you add counter springs BXFM-ILHSPU (037187) to your configuration – this will provide vibration damping which is essential to maintain image stability and measurement accuracy
- Illuminator 5 is only compatible with illuminator holder BXFM-ILHS – counter springs are not required for this illuminator
- Our nosepieces U-D6BDREMC & U-D6BDRES-S are fully compatible with our range of illuminators, and can be integrated into your Universal Bridge Stand configuration



**1. BX3M-KMA-S**  
Reflected LED light illuminator for BF



**2. BX3M-RLA-S**  
Reflected light illuminator for BF/DF



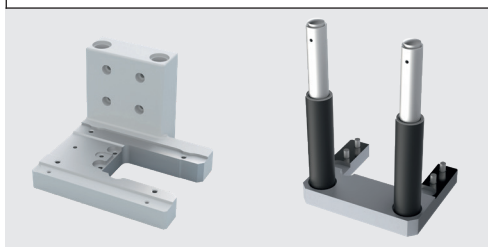
**3. BX3M-URAS-S**  
Coded universal reflected light illuminator



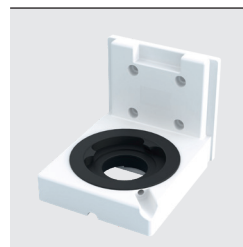
**4. BX3M-RLAS-S**  
Coded reflected LED light illuminator for BF/DF/POL



**5. U-KMAS**  
Reflected LED light illuminator for BF



**BX3M-ILH + ILHSPU**



**BXFM-ILHS**

There's a light source and illuminator for all your needs – discover the options below.

	Code function	Light source	BF	DF	DIC	POL	IR	FL	MIX	AS/FS
<b>BX3M-RLAS-S</b>	Fixed 3 cube position	LED - built in	•	•	•	•			•	•
<b>BX3M-URAS-S</b>	Attachable 4 cube position	LED	•	•	•	•			•	•
		Halogen	•	•	•	•	•		•	•
		Mercury/Light guide	•	•	•	•		•	•	•
<b>BX3M-RLA-S</b>	–	LED	•	•	•	•			•	•
		Halogen	•	•	•	•	•		•	•
<b>BX3M-KMA-S</b>	–	LED - built in	•		•	•			•	
<b>U-KMAS</b>	–	LED	•		•	•			•	
		Halogen	•		•	•	•		•	



# BXFM: Compatible Cameras

With a wide-range of compatible camera options, our Universal Bridge Stand can serve as a versatile base for your industrial and life science applications. Explore our range of industrial and life science cameras and choose the right camera based on your required specifications.

## Cameras for Industrial Applications



**XM10**

**DP74**

**EP50**

**DP23**

**DP28**

**SC180**

<b>Pixel size</b>	6.45 $\mu\text{m}$	5.86 $\mu\text{m}$	2.4 $\mu\text{m}$	2.4 $\mu\text{m}$	3.45 $\mu\text{m}$	1.25 $\mu\text{m}$
<b>Number of pixels</b>	1.4 M	2.3 M	5 M *cropped	6.4 M	8.9 M	18 M
<b>Sensor size</b>	2/3 inch	1/1.2 inch	1/1.8 inch	1/1.8 inch	1 inch	1/2.3 inch
<b>Chip diagonal</b>	11 mm	13.3 mm	8.9 mm	8.9 mm	16 mm	7.87 mm
<b>Live frame rate @ full resolution</b>	15 fps	60 fps	60 fps (Full HD)	45 fps (64 fps Full HD)	32 fps (64 fps Full HD)	10.5 fps

## Cameras for Life Science Applications



**DP74**

**EP50**

**DP23**

**DP23M**

**DP28**

**SC180**

**LC35**

<b>Pixel size</b>	5.86 $\mu\text{m}$	2.4 $\mu\text{m}$	2.4 $\mu\text{m}$	2.4 $\mu\text{m}$	3.45 $\mu\text{m}$	1.25 $\mu\text{m}$	2.64 $\mu\text{m}$
<b>Number of pixels</b>	2.3 M	5 M	6.4 M	6.3 M	8.9 M	18 M	3.5 M
<b>Sensor size</b>	1/ 1.2 inch	1/1.8 inch	1/1.8 inch	1/1.8 inch	1 inch	1/2.3 inch	1/2.5 inch
<b>Chip diagonal</b>	13.3 mm	8.9 mm	8.9 mm	8.9 mm	16 mm	7.87 mm	7.2 mm
<b>Live frame rate @ full resolution</b>	60 fps	60 fps (full HD)	45 fps (64 fps full HD)	45 fps (64 fps full HD)	32 fps (64 fps full HD)	10.5 fps	19 fps

**OLYMPUS**  
**DP28**



# BXFM: Software Controlled Components

## Software Controlled LED Light Source

If you wish to add the option of software-controlled light intensity to your microscope setup, our illuminators are compatible with Märzhäuser's software-controllable light source products.

- The listed Märzhäuser LED light sources can be controlled via Olympus Stream software
- To achieve software-controllable light intensity, pair Märzhäuser light sources with Tango control box with AUX function
- See our table (below) for more information regarding light source and control box compatibility
- Even the inbuilt LED in the illuminators can be replaced with the Märzhäuser LED to establish SW control



LED 100 with TANGO Desktop

Article Number	Article Name	Comments
E0433888	M-LED-CW	Cool white LED
E0433889	M-LED-WW	Warm white LED

## Control Boxes

The bridge stand solution is compatible with various Märzhäuser motorized stages via tango control desktop controllers. These high-precision controllers come with:

- 819,200 micro steps/revolution
- Precise positioning within sub- $\mu\text{m}$  range
- Standard USB / Rs232 interface

## Joysticks

Offering a variety of axis controls, our joystick range can cater to all your needs.

Use the table below to chose the right one for you!



### Standard 2 axis Joystick

Straight forward solution for 2 axis control



### Standard 3 axis Joystick

Straight forward solution for 3 axis control



### Extended control 3 axis Joystick

Designed for better precision and control



### Ergonomic controllers

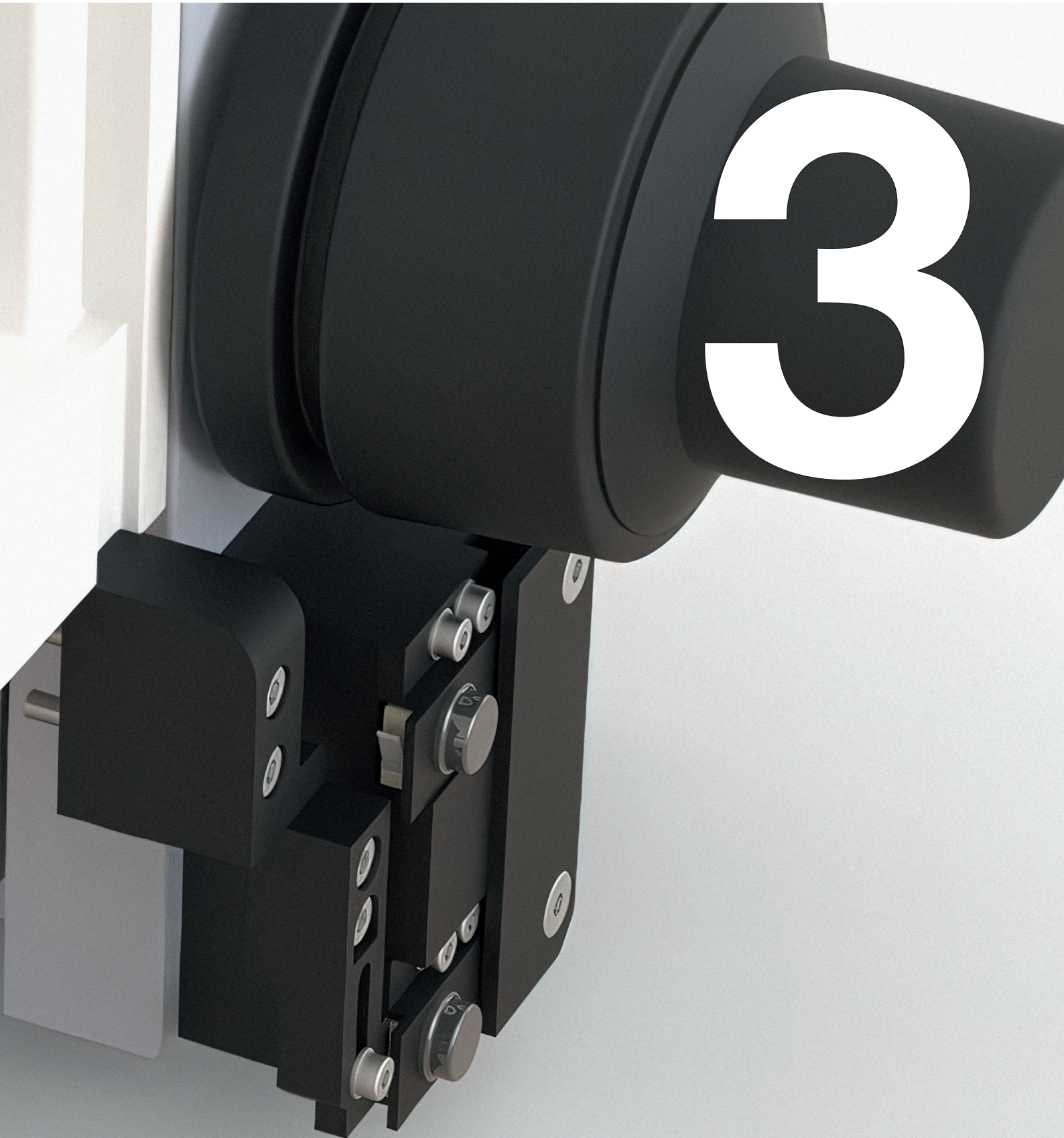
Ergonomic design provides user comfort for long usage

Article Number	Match Code	Comment
E0438480	M-HID-JS-1	1 Axis Control
E0438481	M-HID-JS-2	2 Axis Control
E0438482	M-HID-JS-3	3 Axis Control
E0438483	M-HID-JS-EXZ-3	Recommended for 3 axis control
E0438484	M-HID-ED-2	Ergo drive for 2 axis
E0438485	M-HID-ED-3	Ergo drive for 3 axis



# Bridge Stand Solution

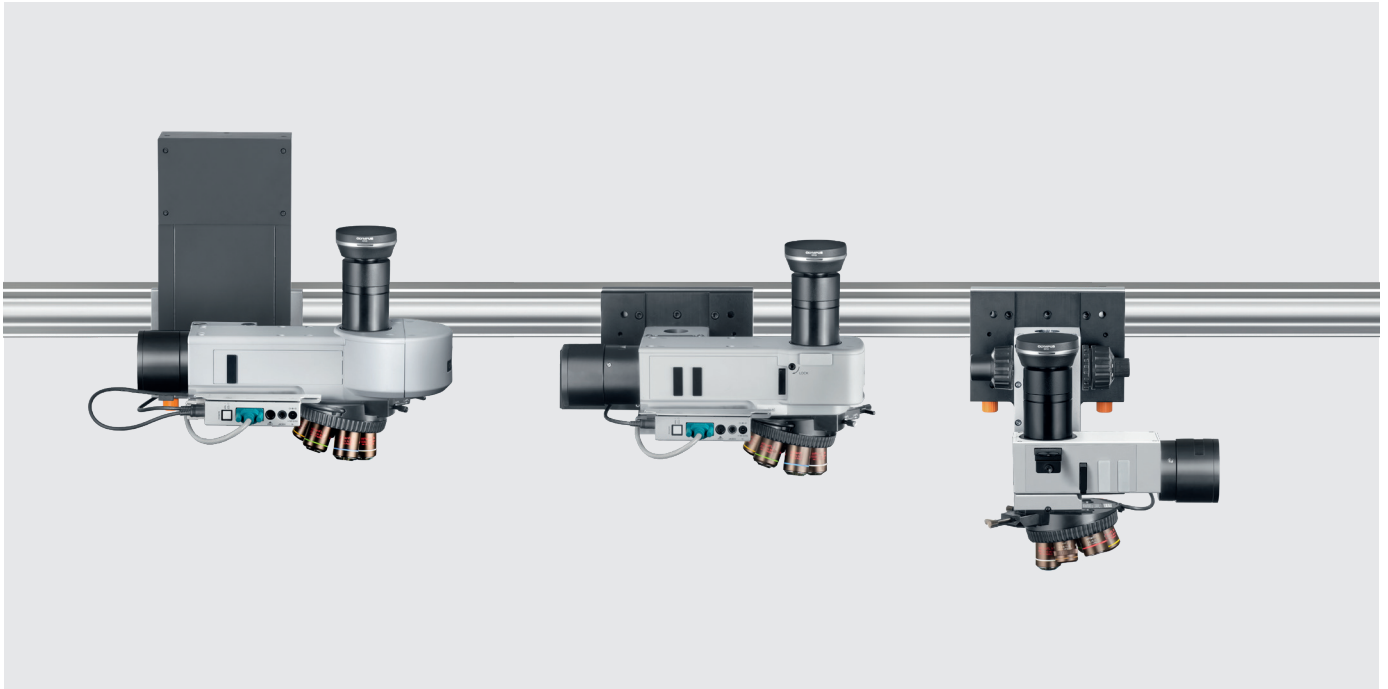
Z Axis Movements





# Z Axis Mechanisms

Your Universal Bridge Stand set-up can be easily adapted to suit a wide-range of applications and sample sizes from semiconductor wafer inspection up to the examination of large samples e.g. engine heads. To streamline your day-to-day applications, we have designed specific Z axis drive mechanisms to tailor the microscope to your intended use and budget.



## Z Axis Focus Drive Options: Which is Right for You?

Our Z axis focus drives differ in three main areas:

- **Z Axis Range**  
We offer Z axis ranges between 30-100 mm to suit your sample size, imaging requirements and the versatility of applications you wish to perform with your microscope
- **Drive Mechanism**  
Select from manual or motorized drive mechanisms. Motorized drive mechanisms enable software-controlled focus and Z stack imaging options, while manual drives offer an economic option
- **Speed (motorized drives only)**  
The speed of motorized mechanisms varies depending on your chosen Z axis range



# Manual Z Axis Mechanism



## Typical Applications

- Appropriate for occasional and variable use
- Best used for flat sample viewing (where constant focus change is not required)
- Well-suited to applications which involve fixed Z position for a large range of samples
- Easily take X-Y axis measurements

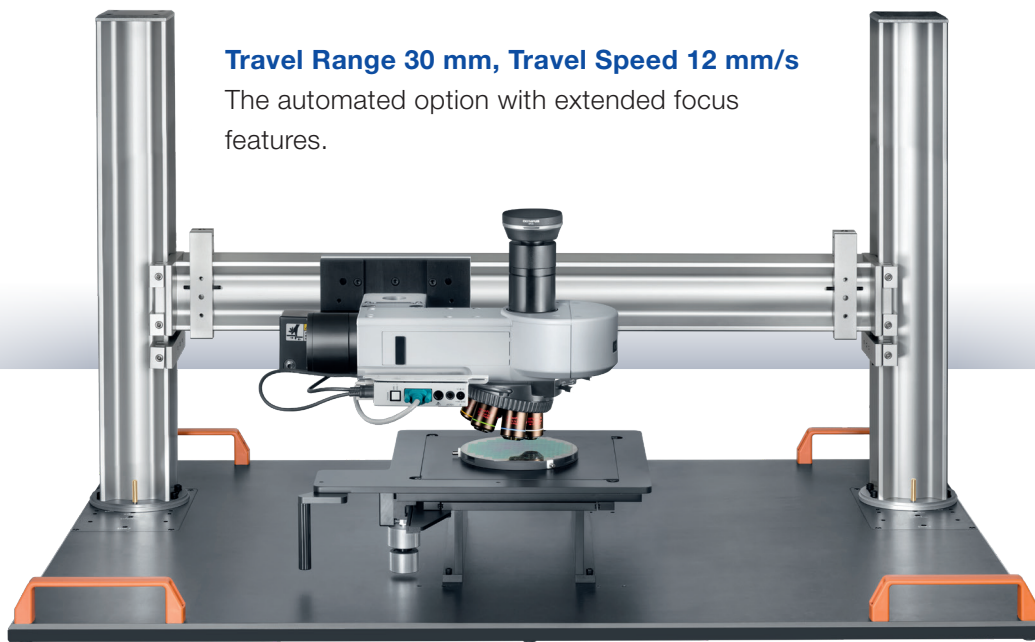
## Advantages

- Cost-effective option
- Highly versatile – can be utilized for a wide range of samples

## Typical Configuration: Manual Z Focus with 200 mm Manual Stage

	Match Code	Article Number
<b>Frame and Stage Components</b>	CUS-BXFM-UAMOF	E0437214
	CUS-BXFM-ULBS	E0437211
	M-SVR-CUS-200x200 stage	E0433845
<b>Illuminator Components</b>	U-KMAS	37188
	BXFM-ILHS	37186
	BXFM-F FOCUSING UNIT	37018
<b>Objectives and Nosepiece</b>	MPLN10X-1-7 Objective	N5186200
	MPLN50X-1-7 Objective	N5186400
	U-5RE-2	37409
<b>Camera Related Components</b>	DP23-CU	E9701550
	U-TLU-1-2 Camera tube	N2167000
	U-TV0.5XC-3-8 c-mount adapter	N5687400
	UYCP POWER CORD	35425
	ST-BA-2.5 licence	E9701607
<b>Other Components</b>	BX3M-PSLED-1-3 power supply	N5730700
	BX/GX_I-D0-INST	ESS00102

# Motorized Z Axis MFD2



## Travel Range 30 mm, Travel Speed 12 mm/s

The automated option with extended focus features.

### Typical Applications

- Semiconductor wafer inspection e.g. Si, GaAs and others
- Automation of daily inspection procedures in quality control labs
- Failure analysis
- Inspection of large samples e.g. PCB and other large electronics
- Applications that typically require measurements in X-Y-Z axis

### Advantages

- Motorized Z axis mechanism combined with motorized stage
- Fully controllable with Olympus Stream software
- Software autofocus feature
- EFI (Extended Focus Image) and EDF (Extended Depth of Focus) functions
- EFI (Extended Focus Image) and EDF (Extended Depth of Focus) functions enable the user to obtain Z stack images (image at various Z positions). Z stacked images combined together enable the user to obtain full focus while analyzing the sample in 3D

### Typical Configuration: MFD2 Z Focus with 200 mm Motorized Stage

	Match Code	Article Number
<b>Frame and Stage Components</b>	CUS-BXFM-UAMOF	E0437214
	CUS-BXFM-ULBS	E0437211
	M-MS-CUS-200x200-4	E0433705
	M-CU-DT-AUX-3	E0433360
	M-CBL200-3	E0438488
	M-LED-CW	E0433888
	M-HID-JS-EXZ-3	E0438483
<b>Illuminator Components</b>	BX3M-RLA-S	N5232500
	BX3M-ILH	N5235500
	CUS-BXFM-F-M mot.focus unit	E0433666
	BXFM-ILHSPU	37187
<b>Objectives and Nosepiece</b>	MPLN10XBD Objective	N2181100
	MPLN50XBD Objective	N2181300
	U-D5BDRE	37403
<b>Camera Related Components</b>	DP23-CU	E9701550
	U-TLU-1-2 Camera tube	N2167000
	U-TV0.5XC-3-8 c-mount adapter	N5687400
	ST-MO-2.5 licence	E9701609
<b>Service*</b>	BX/GX_I-D0-INST	ESS00102

\* Discuss with local service provider for the right service article



# Motorized Z Axis MFD2 with Limit Switches



**Travel Range 30 mm, Travel speed 12 mm/s**

The automated option for higher safety.

## Typical Applications

- Semiconductor wafer inspection e.g. Si, GaAs and others
- Automation of daily inspection procedures in quality control labs
- Failure analysis
- Inspection of large samples e.g. PCB, and other large electronics
- Applications that typically require measurements in X-Y-Z axis

## Advantages

- Motorized Z axis mechanism combined with motorized stage
- Integrated limit switch provides additional safety during inspection
- Hardware limit switches provide calibrated start and stop points
- Olympus Stream software
- Software autofocus
- EFI (Extended Focus Image) and EDF (Extended Depth of Focus) functions enable the user to obtain Z stack images (image at various Z positions). Z stacked images combined together enable the user to obtain full focus while analyzing the sample in 3D

## Typical Configuration:

### MFD2 with Limit Switch Z Focus with 200 mm Motorized Stage

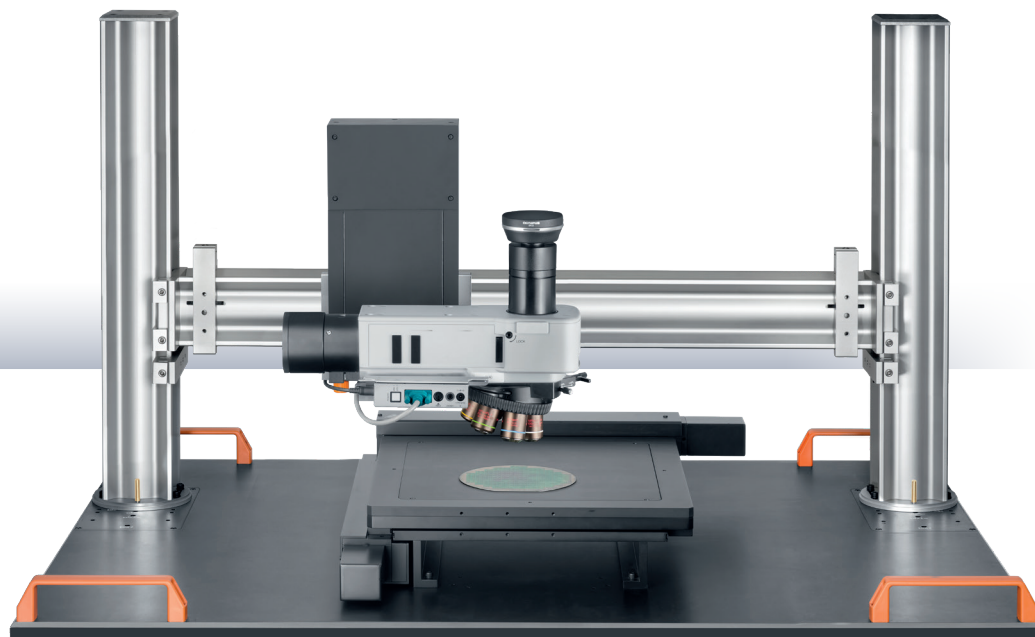
	Match Code	Article Number
<b>Frame and Stage Components</b>	CUS-BXFM-UAMOF	E0437214
	CUS-BXFM-ULBS	E0437211
	M-MS-CUS-200x200-4	E0433705
	M-CU-DT-AUX-3	E0433360
	M-CBL200-3	E0438488
	M-LED-CW	E0433888
	M-HID-JS-EXZ-3	E0438483
<b>Illuminator Components</b>	BX3M-RLA-S	N5232500
	CUS-M-BXFM-F-MLS-ILH	E0433833
	BXFM-ILHSPU	37187
<b>Objectives and Nosepiece</b>	MPLN10XBD Objective	N2181100
	MPLN50XBD Objective	N2181300
	U-D5BDRES-ESD	N4220000
	U-CBS-1-4	N5742000
	UYCP POWER CORD	35425
<b>Camera Related Components</b>	DP23-CU	E9701550
	U-TLU-1-2 Camera tube	N2167000
	U-TV0.5XC-3-8 c-mount adapter	N5687400
	ST-MO-2.5 licence	E9701609
<b>Service*</b>	BX/GX_I-D0-INST	ESS00102

\* Discuss with local service provider for the right service article

# Motorized Z100 Axis with Brake

## Travel Range 100 mm, Travel Speed 12 mm/s

Our most advanced Z axis drive with the largest motorized range for high-resolution imaging



### Typical Applications

- Semiconductor wafer inspection e.g. Si, GaAs and others
- Automation of daily inspection procedures in quality control labs
- Inspection of large samples e.g. PCB, and other large electronics
- Applications that typically require measurements in X-Y-Z axis
- Inspection of taller samples with high-resolution images at various Z positions

### Typical Configuration: Z100 Focus Drive with 300mm Heavy Loading Motorized Stage

	Match Code	Article Number
<b>Frame and Stage Components</b>	CUS-BXFM-UAMOF	E0437214
	CUS-BXFM-ULBS	E0437211
	CUS-M-MS-300-2-HL	E0403065
	M-CU-DT-Z100-MR-AUX-3	E0433963
	M-CBL200AP-Z100-3	E0433960
	M-LED-CW	E0433888
	M-HID-JS-EXZ-3	E0438483
<b>Illuminator Components</b>	BX3M-RLA-S	N5232500
	CUS-M-BXFM-F-MLS-ILH	E0433833
	BXFM-ILHSPU	37187
<b>Objectives and Nosepiece</b>	MPLN10XBD Objective	N2181100
	MPLN50XBD Objective	N2181300
	U-D6BDREMC	N2248300
	BX3M-CBFM-1-3	N530600
	UYCP POWER CORD	35425
	BX3M-RMECBL	N5233200
<b>Camera Related Components</b>	DP23-CU	E9701550
	U-TLU-1-2 Camera tube	N2167000
	U-TV0.5XC-3-8 c-mount adapter	N5687400
	ST-MO-2.5 licence	E9701609
<b>Service*</b>	BX/GX_I-D0-INST	ESS00102

### Advantages

- Motorized mechanism with larger range of motorized Z movement (100 mm)
- Inbuilt motor brake ensures a reproducibility of +/- 1 µm even with a heavy microscope set up (load capacity 15 kg)
- With Olympus Stream software
- Software autofocus function
- EFI (Extended Focus Image) and EDF (Extended Depth of Focus) functions enable the user to obtain Z stack images (image at various Z positions). Z stacked images combined together enable the user to obtain full focus while analyzing the sample in 3D

\* Discuss with local service provider for the right service article



# Bridge Stand Solution

Stages



4

# Stages

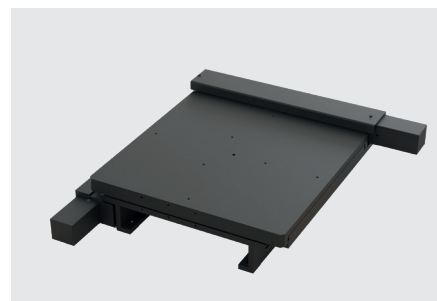
**Our Universal Bridge Stand is compatible with over 30 stages, making it easy to adapt your microscope configuration for a wide variety of applications and sample types. We offer both manual and motorized stages to provide mechanical or software-controlled X-Y movements.**



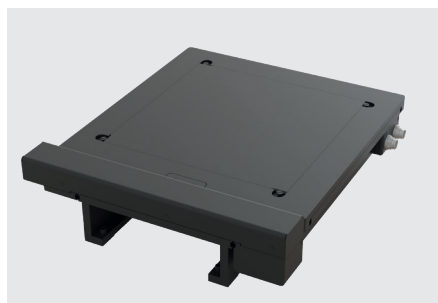
Manual 300 mm stage



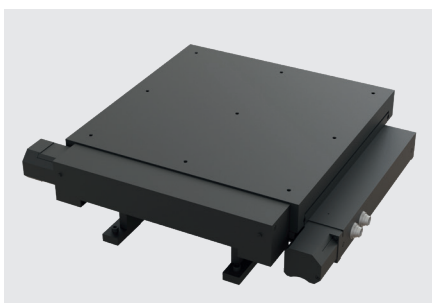
Manual 200 mm stage



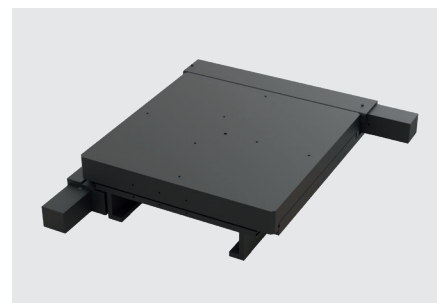
Motorized 300 mm stage



Motorized 200 mm stage



Motorized 300 mm heavy loading stage



Motorized 200 mm heavy loading stage

## Our Stages Come in Four Main Categories

- **Manual X-Y**

Our manual X-Y stages are our most economical stage option, perfect for an entry-level configuration

- **Motorized X-Y**

Our motorized stages enable software-controlled X-Y movements, making it easy to take high-precision measurements - these are perfect for the automation of day-to-day applications

- **Motorized X-Y with encoders**

The motorized stages with encoders enable the user to reach the highest level of precision

- **Heavy loading**

For extremely heavy samples – up to 25Kg. Our heavy loading stages also come with all advantages offered by our advanced motorized range

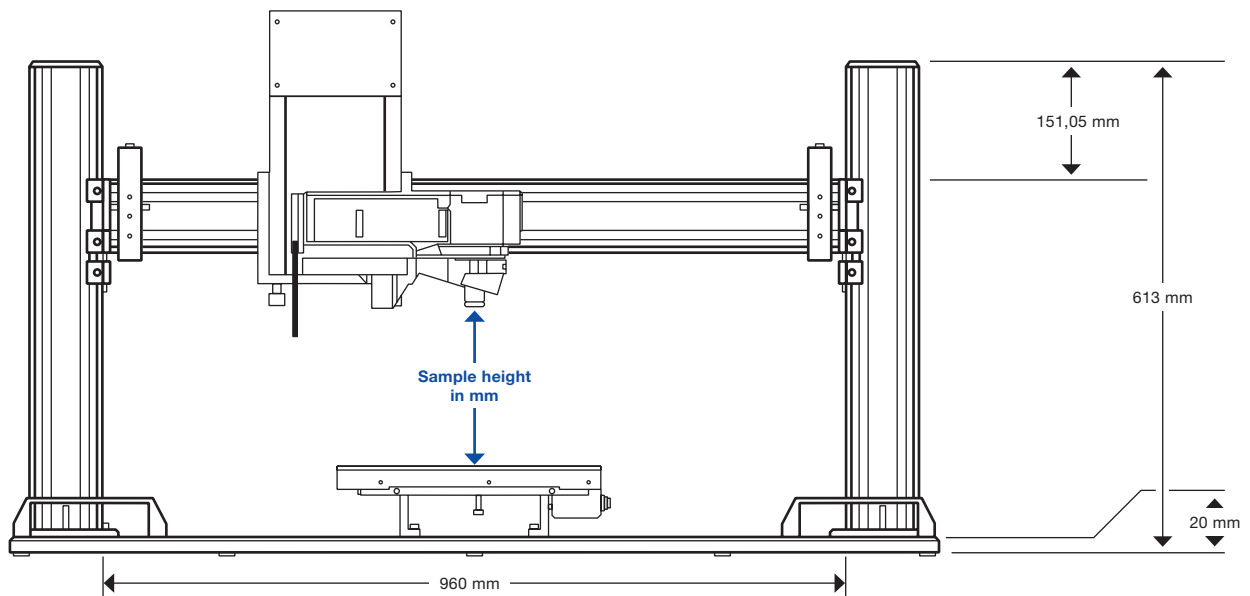


# Stage Compatibility

## Travel Range 30 mm, Travel speed 12 mm/s

Once you have selected your Z drive mechanism, it's time to choose the right stage for your configuration. Please see the below table to check your Z drive against your required load capacity and sample height.

- Motorized stages have a resolution of 0.05  $\mu\text{m}$ , with an accuracy of  $\pm 3 \mu\text{m}$  and bidirectional repeatability less than 1  $\mu\text{m}$
- Encoded stages have a resolution of 0.05  $\mu\text{m}$ , with an accuracy of  $\pm 1 \mu\text{m}$  (measured according to VDI/DGQ 3441) and bidirectional repeatability less than 1  $\mu\text{m}$



Sample Height in mm

Stage Type	Stages	Load Capacity in kg	Manual Z Focus Drive		MFD2	MFD2 with Limit Switches		Z100			BTFM-A
			Large Illuminators	UKMAS	Large Illuminators	Large Illuminators	UKMAS	Large Illuminators	UKMAS	BTFM-A	
Manual Stages	M-SVR-CUS-200x200 (E0433845)	5	177.8	175.8	294.8	294.8	292.8	209.3	207.3	310.8	294.3
	EK 300x300 (Article TBR)	5	128	126	245	245	243	240.5	238.5	261	244.5
Motorized Stages	M-MS-CUS-200x200-4 (E0433705)	3	214	212	331	331	329	326.5	324.5	347	330.5
	M-MS-CUS-300x300-4 (E0433706)	5	197	195	314	314	312	309.5	307.5	330	313.5
Encoded Motorized Stages	CUS-M-MS-M-200x200-4 (E0437387)	3	214	212	331	331	329	326.5	324.5	347	330.5
	CUS-M-MS-M-300x300-4 (E0433961)	5	197	195	314	314	312	309.5	307.5	330	313.5
Heavy Loading Motorized Stages	CUS-M-MS-200-2-HL (E0403066)	25	165.3	163.3	282.3	282.3	280.3	277.8	275.8	298.3	281.3
	CUS-M-MS-300-2-HL (E0403065)	25	174.3	179.3	298.3	298.3	296.3	293.8	291.8	314.3	297.8

# BXFM Configuration Check

		 BX3M-KMA-S	 BX3M-RLAS-S	 BX3M-RLA-S	 BX3M-URAS-S
		Manual Focus 30 mm	MFD 2 30 mm, 12 mm/s	MFD 2 (Lim) 30 mm, 12 mm/s	Mot. z-drive 100 mm, 16 mm/s
Illuminator Components	<b>BX3M-ILH</b> (N5235500) Illuminator holder for BXFM	•	•	•	•
	<b>BXFM-ILHS</b> (N5235500) Illuminator holder for BXFM	–	–	–	–
	<b>BXFM-ILHSPU</b> (037187) Counter spring for BXFM >7.5kg	•	•	•	•
Z Axis Components	BXFM-F (37018) + <b>CUS-BXFM-LAMAF</b> (E0437213) Manual Z axis	•	–	–	–
	<b>CUS-BXFM-F-M</b> (E0433666) BXFM-motorized frame	–	•	–	–
	<b>CUS-M-BXFM-F-MLS-ILH</b> (E0433833) Mot. focus unit with limit switch, D32 pillar	–	–	•	–
	<b>CUS-M-Z100-BXFM</b> (E0433372) Motorized Z drive, <b>no adapter plate needed</b>	–	–	–	•
	<b>CUS-M-Z100-BXFM-A</b> (E0433373) Motorized Z drive	–	–	–	–
	Active AF Kit*	–	–	–	–
Universal Adapter	<b>CUS-BXFM-UAMOF</b> (E0437214)	•	•	•	•
Universal Bridge Stands	<b>CUS-BXFM-USBS</b> (E0437212)	•	•	•	•
	<b>CUS-BXFM-ULBS</b> (E0437211)	•	•	•	•





U-KMAS



BXFMA-F Kit

	U-KMAS				BXFMA-F Kit	
	Manual Focus 30 mm	MFD 2 30 mm, 12 mm/s	MFD 2 (Lim) 30 mm, 12 mm/s	Mot. z-drive 100 mm, 16 mm/s	Internal Mot. Z axis, 7 mm, 5 mm/s	Motorized z-drive 100 mm, 16 mm/s
	-	-	-	-	-	-
	•	•	•	•	-	-
	-	-	-	-	-	-
	•	-	-	-	-	-
	-	•	-	-	-	-
	-	-	•	-	-	-
	-	-	-	•	-	-
	-	-	-	-	-	•
	-	-	-	-	•	•
	•	•	•	•	•	•
	•	•	•	•	•	•
	•	•	•	•	•	•

# BXFM Configuration Check

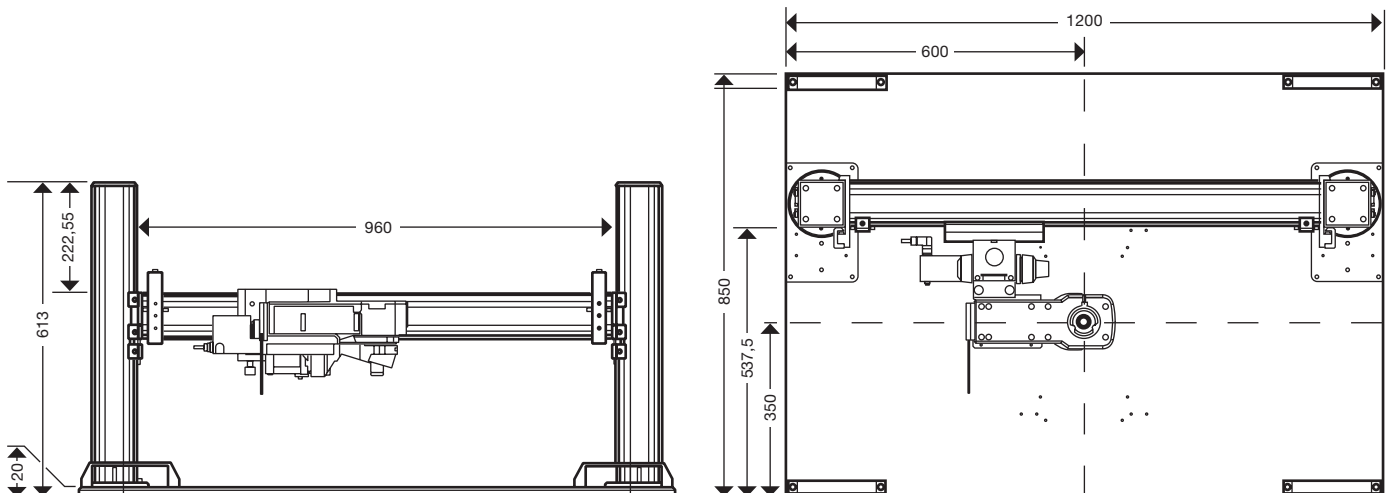
## Control Units Components Configuration Check

### Märzhäuser Tango Control Unit

Z Axis	Motorized XY Stages	Standard Control Unit	Control Unit for Use with LED	Motor Cable
<b>Manual Z Axis</b>	Motorized XY Stage	M-CU-DT-2 (E0438472)	M-CU-DT-AUX-2 (E0433359)	M-CBL200-2 (E0438486)
	Motorized XY Stage with Encoder	M-CU-DT-MR-2 (E0433355)	M-CU-DT-MR-AUX-2 (E0433363)	M-CBL200-2 (E0438486)
<b>MFD2 /MFD2+ Limit Switch</b>	Motorized XY Stage	M-CU-DT-3 (E0438473)	M-CU-DT-AUX-3 (E0433360)	M-CBL200-3 (E0438488)
	Motorized XY Stage with Encoder	M-CU-DT-MR-3 (E0433356)	M-CU-DT-MR-AUX-3 (E0433364)	M-CBL200-3 (E0438488)
<b>Z100 Drive</b>	Motorized XY Stage	M-CU-DT-Z100-3 (E0433962)	M-CU-DT-Z100-MR-AUX-3 (E0433963)	M-CBL200AP-Z100-3 (E0433960)
	Motorized XY Stage with Encoder	M-CU-DT-Z100-MR-AUX-3 (E0433963)	M-CU-DT-Z100-MR-AUX-3 (E0433963)	M-CBL200AP-Z100-3 (E0433960)

## Overview Technical Drawing

All measurements in mm.





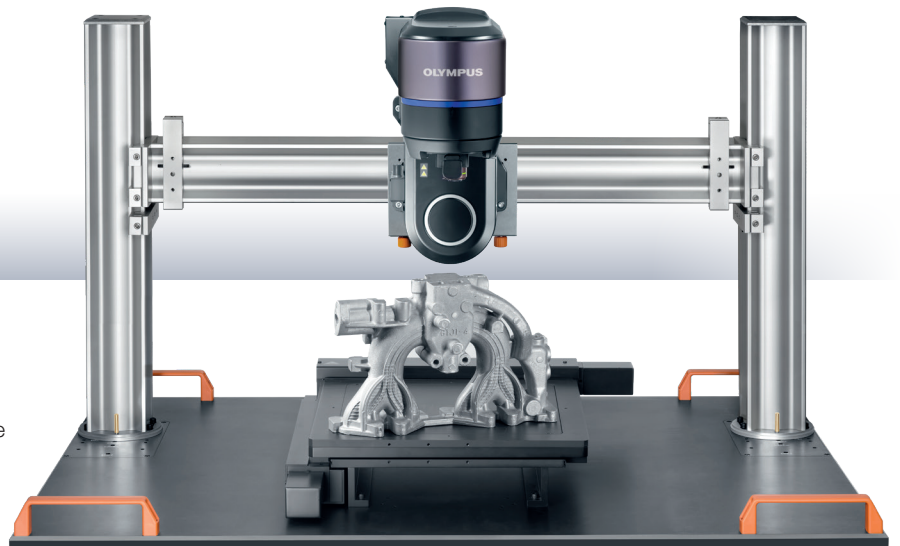
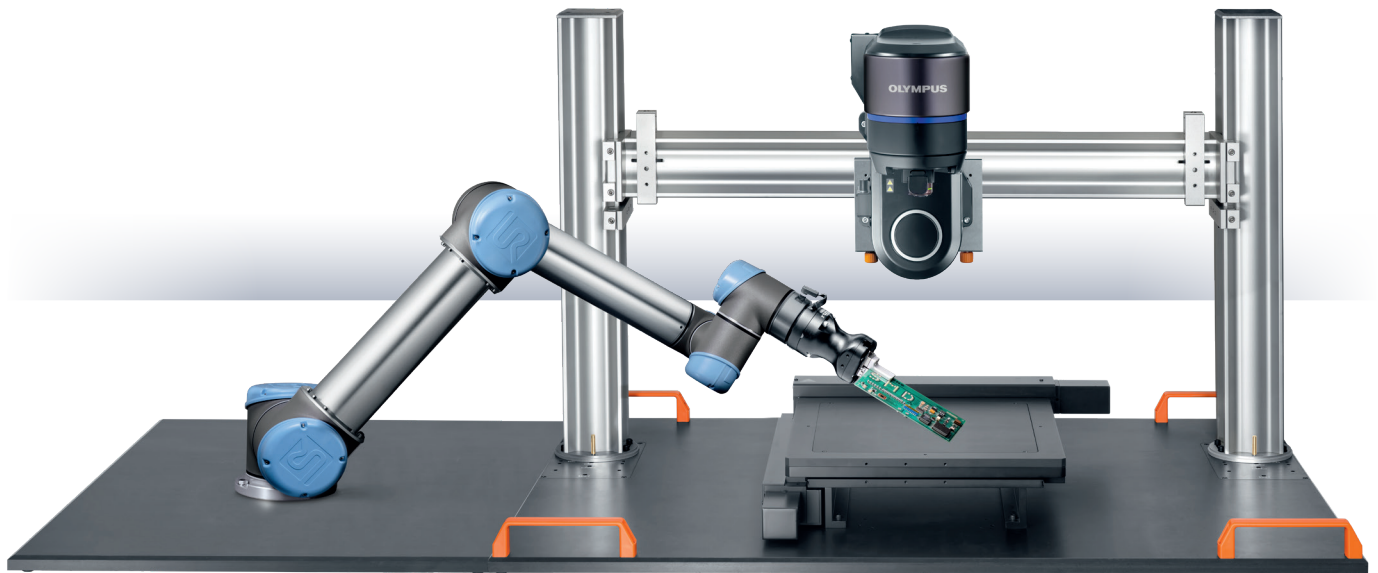
# Bridge Stand Solution

DSX



## Compatible With DSX Zoom Heads

Expand your imaging capabilities even further by pairing the versatile DSX digital microscope heads with your Universal Bridge Stand set-up. The Universal Bridge Stand is highly suited to observing tall samples with the DSX. Maximum sample height of about 600 mm (without stage).



Please contact your Olympus sales representative for more information on DSX and Universal Bridge Stand compatibility, and we will help you with your configuration!



# Single Column Stands

BXFM & Stereo



# Single Column Stands for BXFM & Stereo

If you need a configuration with a traditional single column stand we still have you covered! We offer a selection of single column stands with compatibility for BXFM or stereo microscopes - this section will outline our range of options to suit your requirements and budget.



## Why a Single Column Stand Might Be Right for You

- **Ideal for an entry-level set-up**

Single column stands are our most economical stand range and are suitable for flexible use

- **Smaller footprint**

If you are constrained by space, single column stands are a compact solution, easily fitting on most bench spaces

- **For large and tall samples**

Coupled with our large-range Z axis mechanism, our single column stands can be configured for the inspection of large and tall samples

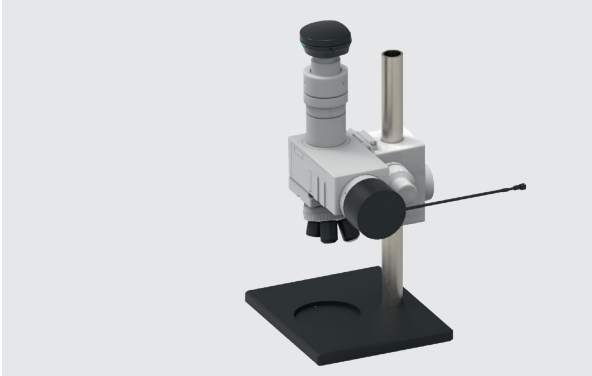
- **Simplicity**

Our single column stands are easy to set up and adjust to suit your requirements



### Pillar Stand for BXFM

The cost-effective option for a range of sample types and applications.



For stages up to 100x100 mm

#### Advantages

- Cost-effective solution
- Compatible with manual Z axis focus drive as well as the MFD2 motorized Z axis drive
- 400 mm pillar length makes it easy to observe tall samples

### Profile Stand for BXFM

Providing more stability for larger magnifications.



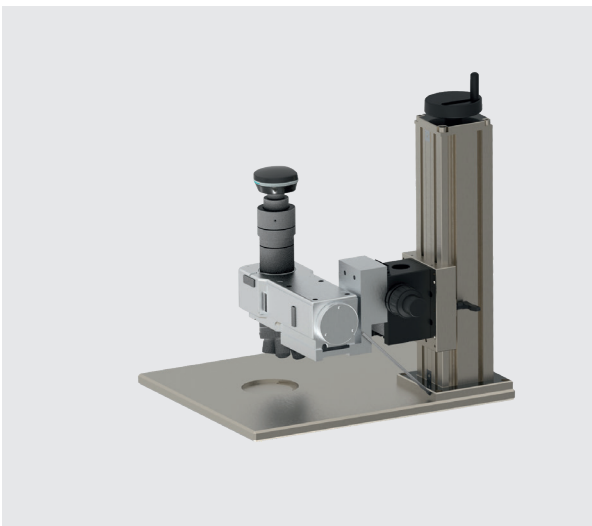
For stages up to 150x150 mm

#### Advantages

- Cost-effective solution
- Compatible with manual Z axis focus drive as well as the MFD2 motorized Z axis drive
- 400 mm pillar length makes it easy to observe tall samples
- Observation of tall samples (>7cm) which may not fit into a BX53 configuration
- Provides high stability required for large magnifications

### Handle Stand for BXFM

Providing maximum stability and height-adjustability.



For stages up to 150x150 mm

#### Advantages

- Cost-effective solution
- Compatible with manual Z axis focus drive as well as the MFD2 motorized Z axis drive
- 400 mm pillar length makes it easy to observe tall samples
- Observation of tall samples (>7cm) which may not fit into a BX53 configuration
- Provides high stability required for large magnifications
- Easily adjustable to suit samples of variable height

# At a Glance - Alternative BXFM Stands

		Pillar Stand		Profile Stand Large Condenser		Hand Stand Large Condenser		
		Manual Focus for Small Condensor	Motorized Focus Large Condensor	Manual Focus	Motorized Focus	Manual Focus	Motorized Focus	
Illuminator Holder	<b>CUS-BXFM-LILH</b> (E0433713) Low illuminator holder	–	–	•	–	•	–	
	<b>CUS-BXFM-SILH</b> (E0433714) Holder short, left , required for mot. focus	–	–	–	•	–	•	
	<b>BX3M-ILH</b> (N5235500) Illuminator holder for BXFM	–	•	–	–	–	–	
	<b>BXFM-ILHS</b> (N5235500) Illuminator holder for BXFM	•	–	–	–	–	–	
	<b>BXFM-ILHSPU</b> (037187) Counter spring, for BXFM >7.5kg	–	•	•	•	•	•	
Frame and Focus Unit	<b>BXFM-F</b> (37018) BXFM-Frame	•	–	•	–	•	–	
	<b>CUS-BXFM-F-M</b> (E0433666) BXFM- Motorized Frame	–	•	–	•	–	•	
Stand	<b>CUS-BXFM-ST-ILHS-SA</b> (E0433707) Ø110 Cavity-for stage adapter	400 mm pillar	A B 1 2	–	–	–	–	
	<b>CUS-BXFM-ST-ILH-SA</b> (E0433708) Ø110 Cavity-for stage adapter		–	A B 1 2	–	–	–	
	<b>CUS-BXFM-STU-ILH-SA</b> (E0433711) Ø110 Cavity-for stage adapter	750 mm pillar, Sample holder adjustable 0-550 mm from BP	–	–	A B 3	–	–	
	<b>CUS-BXFM-STU-ILH-S150</b> (E0433712) Mounting pattern for 150x150 stage		–	–	4	–	–	
	<b>CUS-BXFM-STU-SILH-SA</b> (E0433709) Ø110 Cavity-for stage adapter		–	–	–	A B 3	–	–
	<b>CUS-BXFM-STU-SILH-S150</b> (E0433710) Adaption pattern for 150x150 stage		–	–	–	4	–	–
	<b>CUS-BXFM-STCR-LILH-SA</b> (E0433717) Ø110 Cavity-for stage adapter	750 mm pillar, Sample holder adjustable 0-300 mm from BP	–	–	–	–	A B 3	–
	<b>CUS-BXFM-STCR-LILH-S150</b> (E0433718) Adaption pattern for 150x150 stage		–	–	–	–	4	–
	<b>CUS-BXFM-STCR-SILH-SA</b> (E0433715) Ø110 Cavity-for stage adapter		–	–	–	–	–	A B 3
<b>CUS-BXFM-STCR-SILH-S150</b> (E0433716) Mounting pattern for 150x150 stage	–		–	–	–	–	4	

Stages	<b>M-SVR-M-SZX</b> (E0438251) Manual stage 100x80 *	<b>U-SIC4R2/-L2</b> (03749900/ 037500) Manual stage 110x105 **	<b>M-MSS-BX2</b> (E0438271) Motorized stage 75x50 ***	<b>M-MSM-SZX-4</b> (E0438376) Motorized stage 100x100 *	<b>M-MS-SZX-4-2</b> (E0438373) Motorized stage 130x85 *	<b>M-MS-CUS-150x150-4</b> (E0433665) Motor table 150 x150
	A	B	1	2	3	4

\* Dovetail included

\*\* Dovetail to be ordered separately (033735 SZX-STAD2)

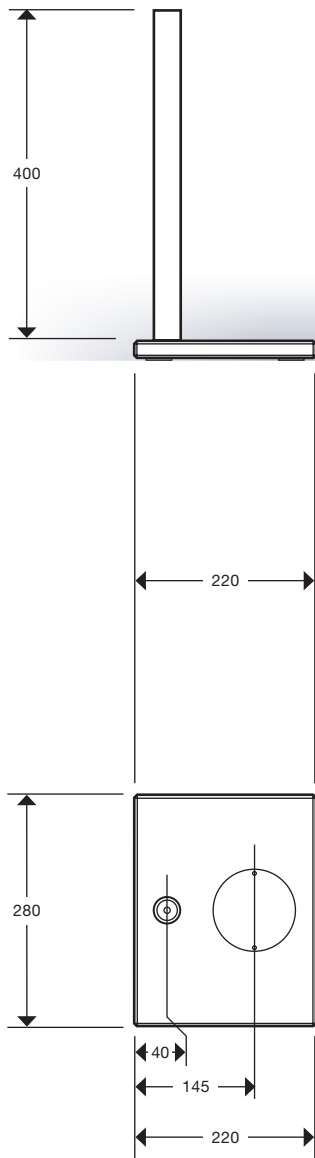
\*\*\* Dovetail needs to be ordered separately (E043288; M-SA-SZX)



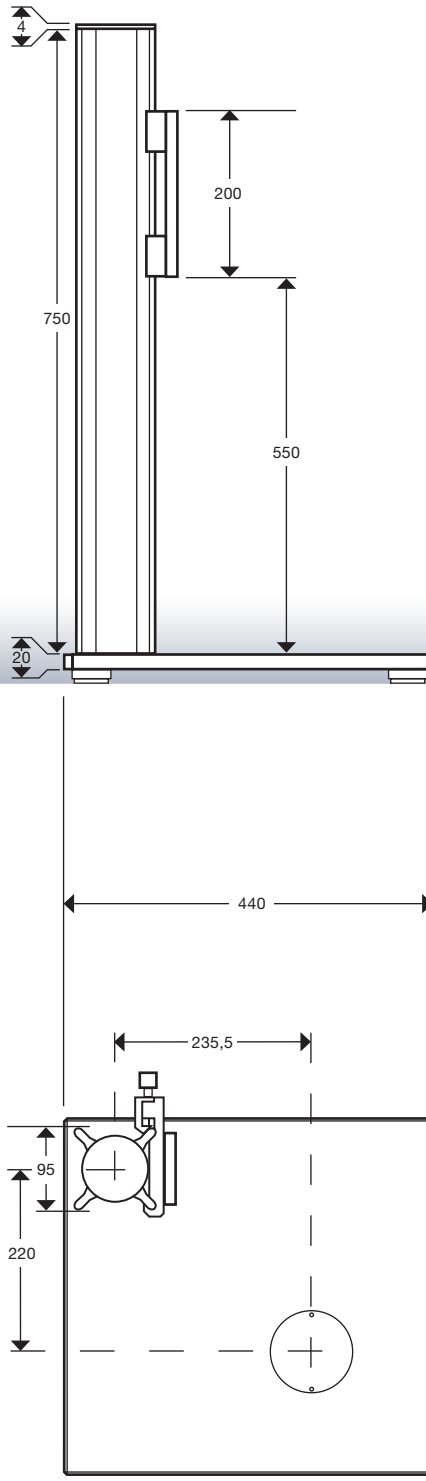
## Overview Technical Drawing

All measurements in mm.

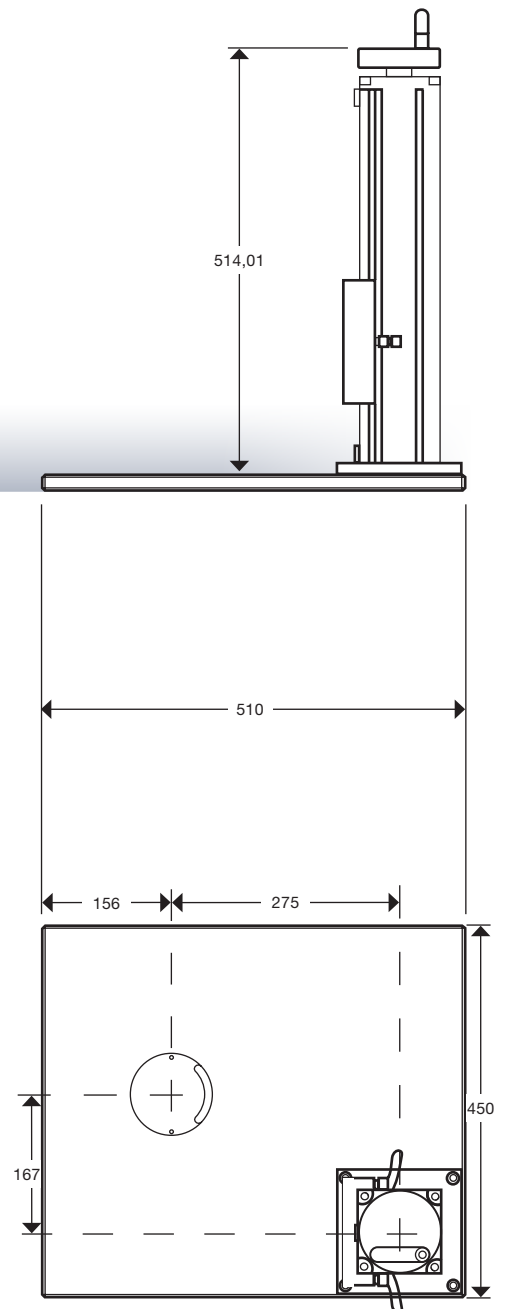
### Pillar Stand



### Profile Stand



### Hand Stand



# Pillar Stand for SZX

## Pillar Stand for SZX7, SZX61

The cost-effective for a range of sample types and applications.

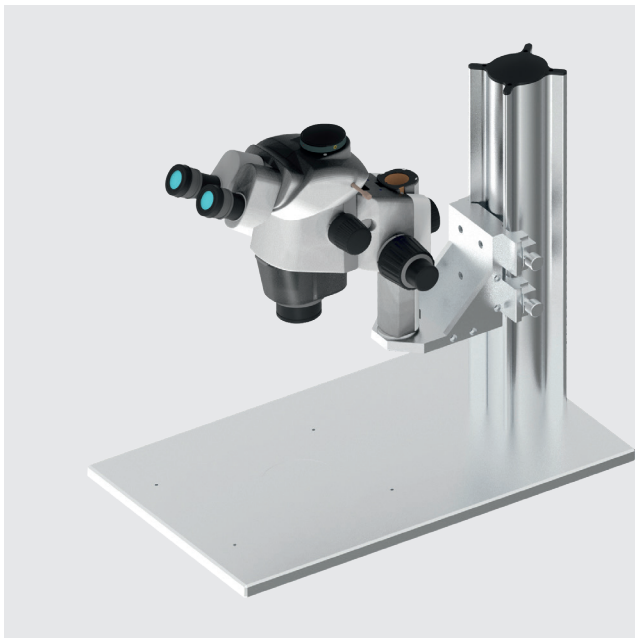


### Advantages

- Cost-effective option and good entry-level stand
- 400 mm pillar length makes it easy to observe tall samples

## Profile Stand for SZX10, SZX16

Providing more stability for larger magnifications.



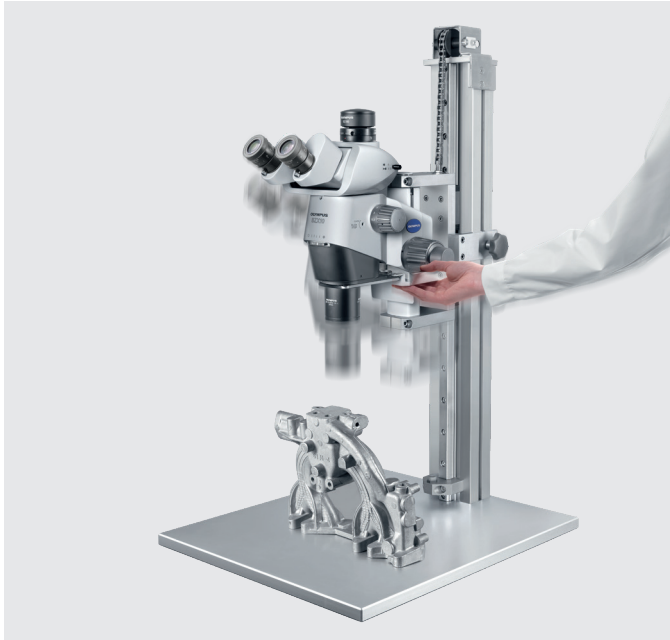
### Advantages

- Cost-effective option and good entry-level stand
- 400 mm pillar length makes it easy to observe tall samples
- Provides greater stability required for large magnifications



### Stand with Linear Guides and Counter Weights for SZX16, SZX10

The ergonomic solution for variable sample viewing.



#### Advantages

- Move up and down with just one hand
- Cost-effective option and good entry-level stand
- 400 mm pillar length makes it easy to observe tall samples
- Provides greater stability required for large magnifications

### Fully Motorized Stand for SZX16, SZX10

Automated solution for variable sample viewing.



#### Advantages

- 600 mm motorized Z drive with 200 mm motorized stage
- Fully motorized solution
- 400 mm pillar length makes it easy to observe tall samples
- Provides greater stability required for large magnifications

# At a Glance - Alternative Stereo Stands

		Pillar Stand	Profile Stand	Stand with Linear Guide SZX16	Stand with Linear Guide SZX10
Illuminator Holder	<b>SZX 7</b>	•	–	–	–
	<b>SZX 10</b>	–	•	–	•
	<b>SZX 16</b>	–	•	•	–
	<b>SZX 61</b>	•	–	–	–
Pillar Adapt.	<b>CUS-SZX-PA-ST-EP250</b> (E0433639) Pillar adapter, Y-extension	•	–	–	–
	<b>CUS-SZX-ST-EP250</b> (E0433640) Plain base plate, Requires Y-extension adapter. Includes 400 mm and 250 mm extension pillar	A	–	–	–
Stand	<b>CUS-SZX-ST-EP250-SA</b> (E0433641) Ø110 mm cavity for stage adapter, Requires Y-extension adapter. Includes 400 mm and 250 mm extension pillar	B 1 2	–	–	–
	<b>CUS-SZX-STL</b> (E0433642) Plain base plate, D32 pillar height 500 mm. Microscope holder adjustable from 0-360 mm	–	A	–	–
	<b>CUS-SZX-STL-SA</b> (E0433643) Ø110 mm cavity for stage adapter, D32 pillar height 500 mm. Microscope holder adjustable from 0-360 mm	–	B 3	–	–
	<b>CUS-SZX-STL-S150</b> (E0433644) Pattern for 150x150 mm stage, D32 pillar height 500mm. Microscope holder adjustable from 0-360mm	–	4	–	–
	<b>CUS-SZX-STL-S200</b> (E0433645) Pattern for 200x200 mm stage, D32 pillar height 500 mm. Microscope holder adjustable from 0-360mm	–	5	–	–
	<b>CUS-SZX-Tripod-Counterweight</b> (E0432336) Plain base plate, Counterweight 12 kg, load capacity 9kg Z travel range 300 mm	–	–	A	–
	<b>CUS-SZX-STCH-CW12-SA</b> (E0433646) Ø110 mm cavity for stage adapter Counterweight 12 kg, load capacity 9 kg Z travel range 300 mm	–	–	A B 3	–
	<b>CUS-SZX-STCH-CW8</b> (E0433647) Plain base plate, Counterweight 8 kg, load capacity 5 kg Z travel range 450 mm	–	–	–	A
	<b>CUS-SZX-STCH-CW8-SA</b> (E0433648) Ø110 mm cavity for stage adapter Counterweight 8 kg, load capacity 5 kg Z travel range 450 mm	–	–	–	A B 3

Stages	Plain Base Plate	M-SVR-M-SZX (E0438251)	U-SIC4R2/-L2 (03749900/037500)	M-MSS-BX2 (E0438271)	M-MSM-SZX-4 (E0438376)	M-MS-SZX-4-2 (E0438373)	M-MS-CUS-150x150-4 (E0433665)	M-MS-CUS-200x200-4 (E0433705)
	Sample is placed directly on the base plate	Manual stage 100x80 *	Manual stage 110x105 **	Motorized stage 75x50 ***	Motorized stage 100x100 *	Motorized stage 130x85 *	Motor table 150 x150	Motor table 200 x200
	A	B	C	1	2	3	4	5

\* Dovetail included

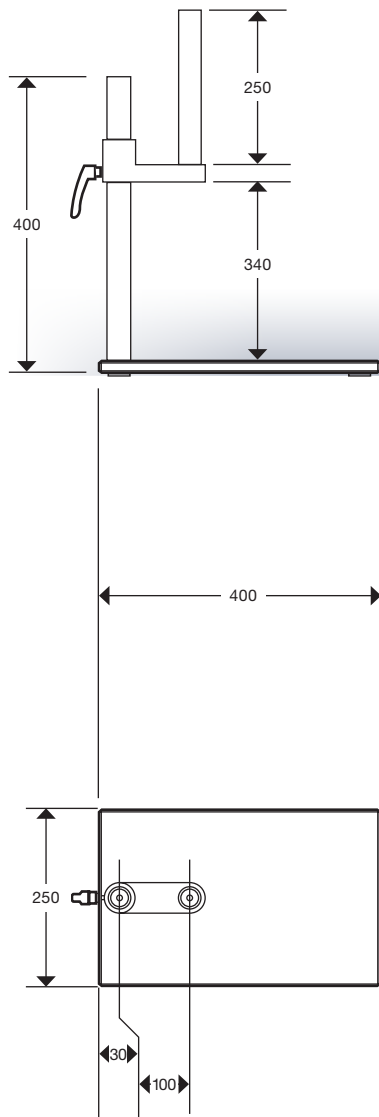
\*\* Dovetail to be ordered separately (033735 SZX-STAD2)

\*\*\* Dovetail needs to be ordered separately (E043288; M-SA-SZX)

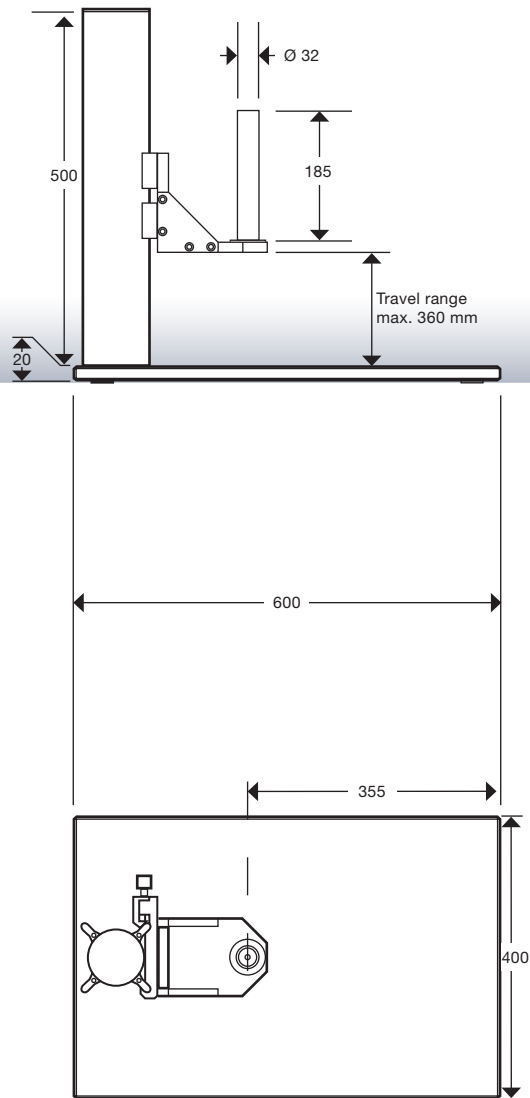
## Overview Technical Drawing

All measurements in mm.

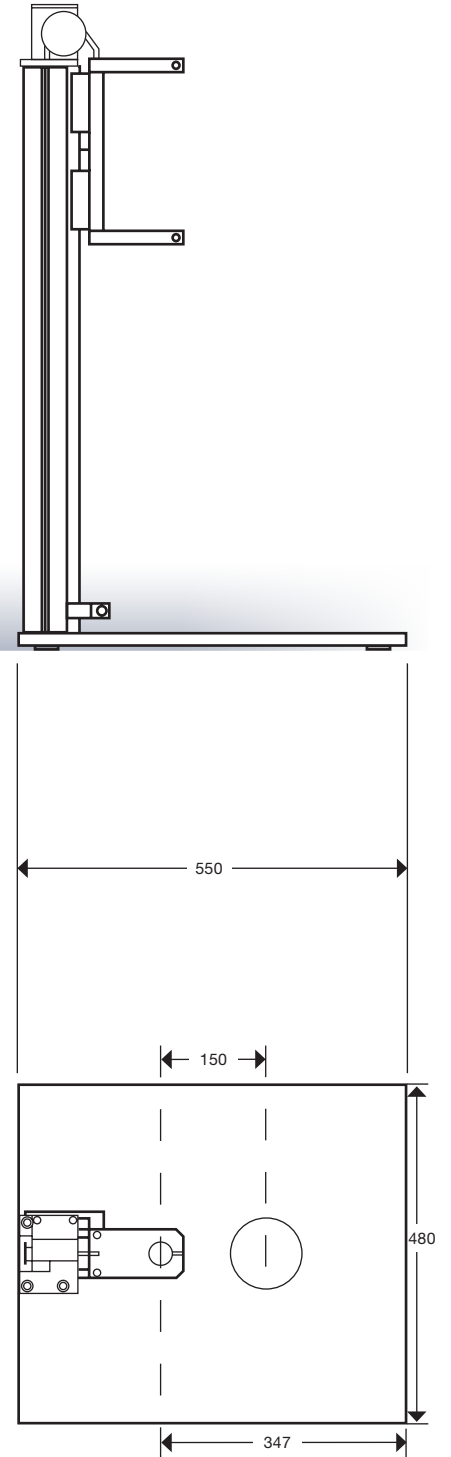
### Pillar Stand



### Profile Stand



### Stand With Linear Guides





# Universal Bridge Stand

## Fully Customized Solutions

### Bespoke, Application-Specific Products That Meet Your Individual Inspection Needs

In addition to these solutions, we also offer **tailored** customized solutions which add application-specific features to your equipment - helping you overcome your inspection challenges quickly and effectively.

Simply send us your request, and our engineers will be in contact to co-create your optimal solution.

 [www.olympus-ims.com](http://www.olympus-ims.com)

