

U-D5BDRES-ESD

ESD-Resistant Coded Quintuple BF/DF Revolving Nosepiece with Slider Slot for DIC



SPECIFICATIONS

Global item code / Local code for USA		N4220000 / U-R255CN
Predecessor product information		None
Product Category		Revolving Nosepieces
Nosepiece	Method of rotating	Manual rotation
	Quantity of the holes	5
	Centerable	NA
	Slider slot	Available
	Encoded	5 holes
	Power supply method	Supplied by Control box
Attached method	Illuminator or Arm	Slide dovetail
	Objective lens	W 26 mm × 0.706 mm
	Slider	Slider size: 34mm × 13.5mm
	Cable connection	Length from the bottom surface of opening to mounting surface: 19mm
ESD function		Connector
Weight		0.75 kg
Country of Origin		Japan

SYSTEM ENVIRONMENT LIMITATIONS FOR OPERATION

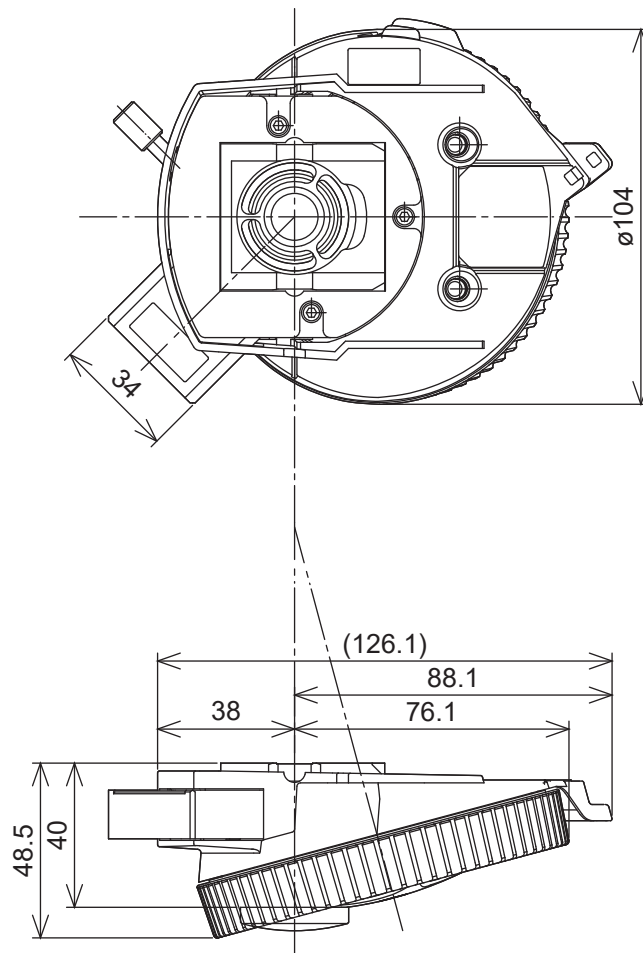
Environment	Indoor use
Temperature T0 [°C]	0 – 40
Humidity RH0 [%]	30 – 90

U-D5BDRES-ESD

PACKING LIST

Item	Quantity
Revolving Nosepiece	1
Rubber Feet	1
Seal	1
Cable Holder	4

MAIN DIMENSION



(Unit: mm)

· Specifications and appearances are subject to change without any notice or obligation on the part of the manufacturer.