

# BXC-RLI

Motorized reflected light illuminator



- Motorized illuminator that enables brightfield and darkfield observations
- The LED light source can be mounted.

## SPECIFICATIONS

Global item code / Local code for USA	N6387500 / BXC-RLI
Predecessor product information	None
Product Category	Motorized Units
Applicable controller	BXC-CBB
Diaphragm	AS(Aperture diaphragm) FS(Field diaphragm)
	Motorized Fixed
Slider slot	Filter slot: One 32 x 7.5 mm rectangular hole
Applicable observation method	<ul style="list-style-type: none"> <li>• Reflected light brightfield observation</li> <li>• Reflected light darkfield observation</li> <li>• Reflected light differential interference observation</li> <li>• Reflected light simple polarization observation</li> </ul>
Observation method selection	Motorized selection (Sliding to select BF or DF)
ND filter	Built-in(Detachable)
Mounting Method	Fixed with contact screw (4 pcs. of M5 with depth of 12) Pitch length between screw holes: 62 x 100 mm
Tube mount method	Circular dovetail, fixed with screw
LED mount method	Circular dovetail, fixed with screw (reflected light LED light source)
Revolving nosepiece mount method	Fixed with dovetail
Weight	About 3.4 kg
Country of Origin	Japan

# BXC-RLI

## SYSTEM ENVIRONMENT LIMITATIONS FOR OPERATION

Environment	Indoor use
Temperature T0 [°C]	5 - 40
Humidity RH0 [%]	30 - 85

## RESTRICTIONS

The connector for connecting the motorized revolving nosepiece is detachable, but the performance is not guaranteed when it is attached again after detaching it.

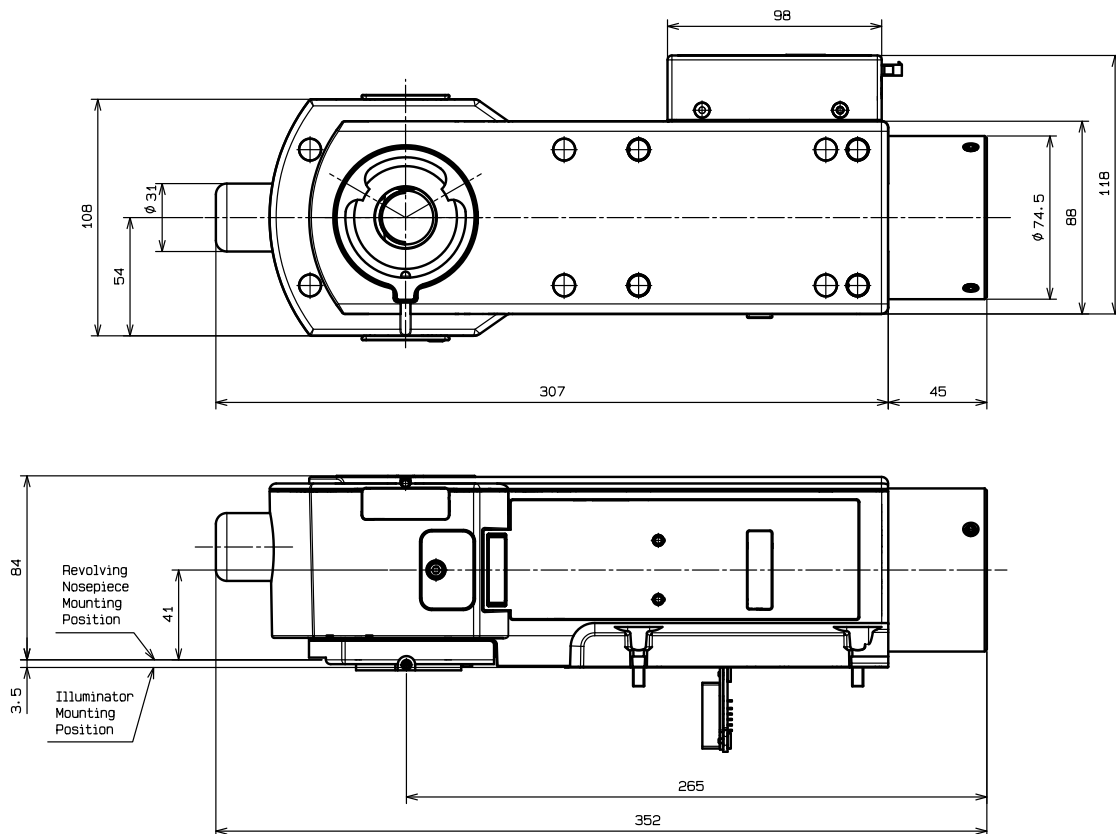
Vignetting may occur depending on the length of the intermediate attachment.

Use this unit by mounting it in the upright direction.

## PACKING LIST

Item	Quantity
Reflected light illuminator	1
Allen screwdriver	1
Allen wrench	1

## MAIN DIMENSION



(Unit: mm)

· Specifications and appearances are subject to change without any notice or obligation on the part of the manufacturer.