

BXC-CBE1

Extension control box



Extension control box that controls the auto focus sensor unit

SPECIFICATIONS

Global item code / Local code for USA	N6388000 / BXC-CBE1
Predecessor product information	None
Product Category	Motorized Units
Input rating	Input voltage: DC 24 V (Input from special cable sold separately) Current consumption: 0.3 A
Cooling system	Natural cooling
Fixing method	<ul style="list-style-type: none"> • Installation on the floor with rubber legs. • Can be fixed on the floor, wall, ceiling, etc. No space necessary around the unit. • The recommended screw length is 8 mm or more. • Recommended to remove rubber legs when fixing with screws.
Connector to input or output digital signals for AF	<p>[Connector]</p> <ul style="list-style-type: none"> • D-Sub15pin (mounted on back panel) #Model name: HDAB-15S(05) (Hirose Electric Co. Ltd.) • Clamping screw for fitting: #4-40 UNC • Name of connector on back panel: "DIGITAL-I/O"
Weight	About 0.4 kg
Country of Origin	Japan

BXC-CBE1

SYSTEM ENVIRONMENT LIMITATIONS FOR OPERATION

Environment	Indoor use
Temperature T0 [°C]	5 – 40
Humidity RH0 [%]	30 – 85

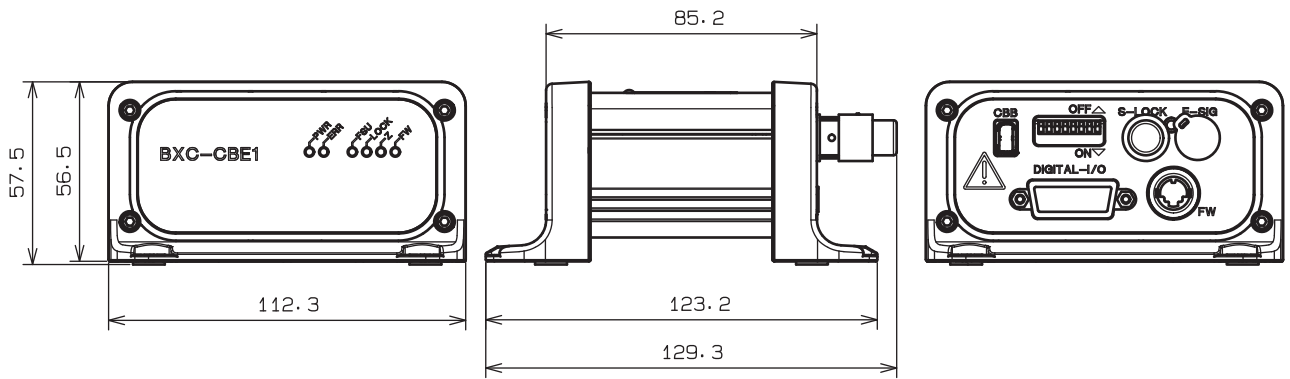
RESTRICTIONS

When using this control box BXC-CBE1, the control box BXC-CBB is also necessary.

PACKING LIST

Item	Quantity
Control box	1

MAIN DIMENSION



(Unit: mm)

· Specifications and appearances are subject to change without any notice or obligation on the part of the manufacturer.