

U-LH100HGAPO

100 W Mercury Apo Lamp Housing



SPECIFICATIONS

Global item code / Local code for USA	N2757900 / 5-UL1567	
Predecessor product information	None	
Product Category	Light Source Units	
Light source	100 W Mercury burner	
Optical type	APO	
Adjustment	Burner centering Collector lens focusing	
Cable length	2 m	
Accepted Lamp	USH-103OL	
Power supply method	Power supply unit	
Attached method	Illuminator	Fitting mount
	Mercury burner	Fitting mount
	Cable connection	Connector
ESD function	N/A	
Weight	2.7 kg	
Country of Origin	Japan	

SYSTEM ENVIRONMENT LIMITATIONS FOR OPERATION

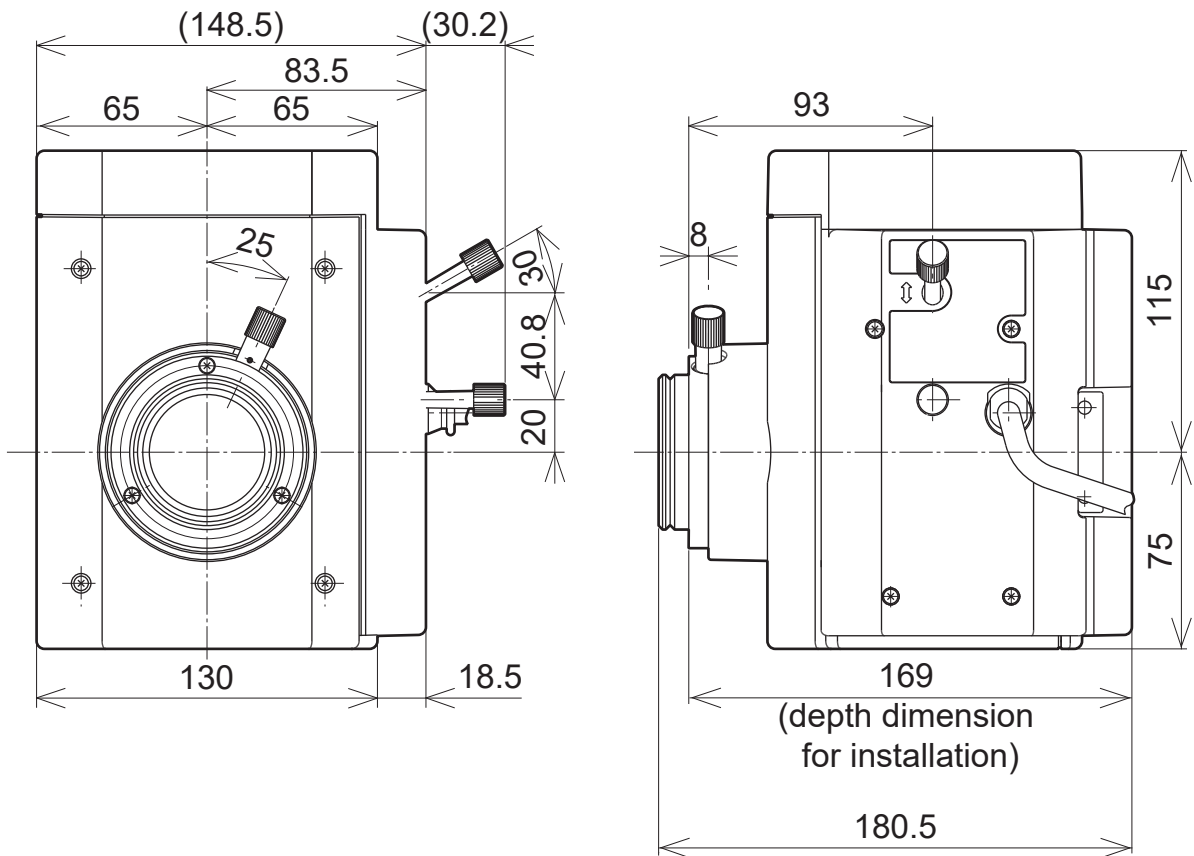
Environment	Indoor use
Temperature T0 [°C]	0 – 40
Humidity RH0 [%]	30 – 90

U-LH100HGAPO

PACKING LIST

Item	Quantity
Lamp Housing	1
Seal	4

MAIN DIMENSION



(Unit: mm)

· Specifications and appearances are subject to change without any notice or obligation on the part of the manufacturer.