

# U-D7RE

Sextuple Revolving Nosepiece with Slider Slot for DIC



## SPECIFICATIONS

Global item code / Local code for USA	5650400 / U-R177	
Predecessor product information	None	
Product Category	Nosepiece	
Conversion	from BD mount to BF mount	
Focus gap	0	
Attached method	Nosepiece	W 26 mm × 0.706 mm
	Objective lens	W 20.32 mm × 0.706 mm
ESD function	N/A	
Weight	980 g	
Country of Origin	Japan	

## SYSTEM ENVIRONMENT LIMITATIONS FOR OPERATION

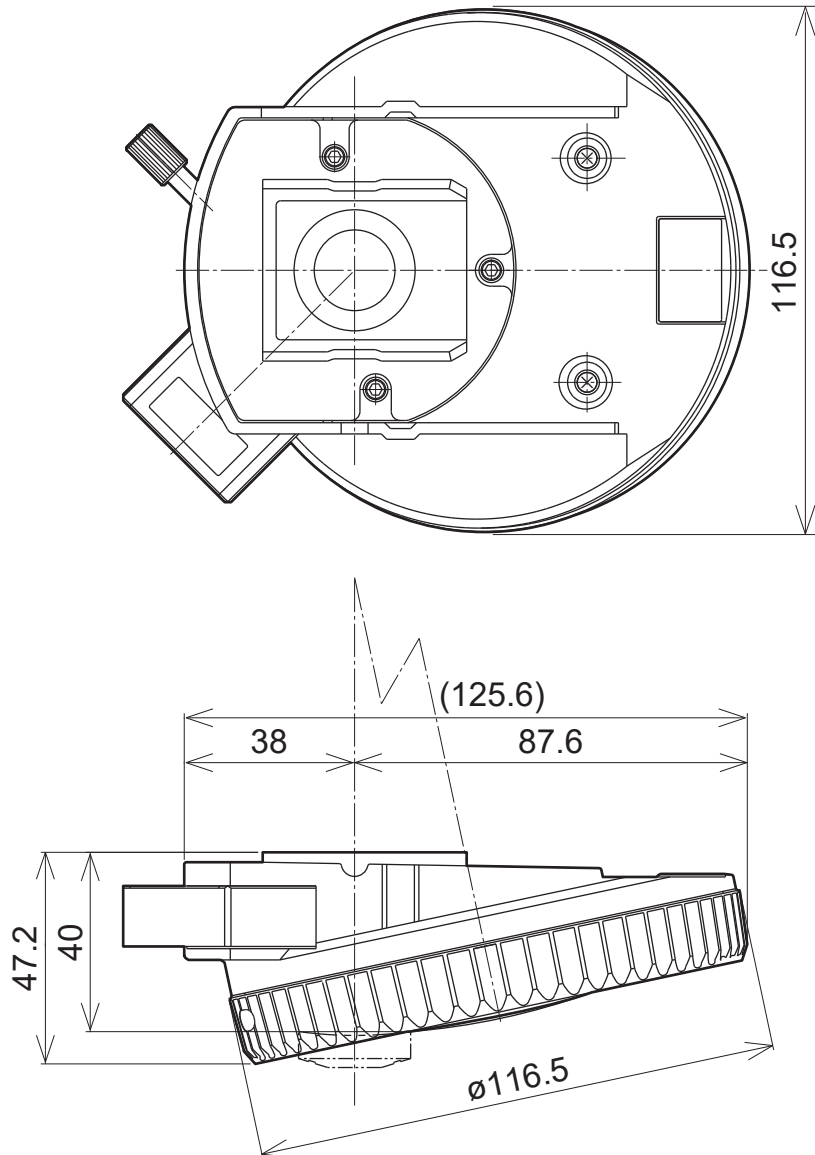
Environment	Indoor use
Temperature T0 [°C]	0 – 40
Humidity RH0 [%]	30 – 90

# U-D7RE

## PACKING LIST

Item	Quantity
Revolving Nosepiece	1
Auxiliary Slide Holder	1

## MAIN DIMENSION



(Unit: mm)

· Specifications and appearances are subject to change without any notice or obligation on the part of the manufacturer.