

U-LGAD

Fiber Adaptor for Reflected Light Observation



SPECIFICATIONS

Global item code / Local code for USA	6398400 / 5-UL603	
Predecessor product information	None	
Type	Light source units	
Attached method	Illuminator	Fitting mount
	Fiber (LG-SF)	Fitting mount
ESD function	N/A	
Weight	390 g	
Country of Origin	Japan	

SYSTEM ENVIRONMENT LIMITATIONS FOR OPERATION

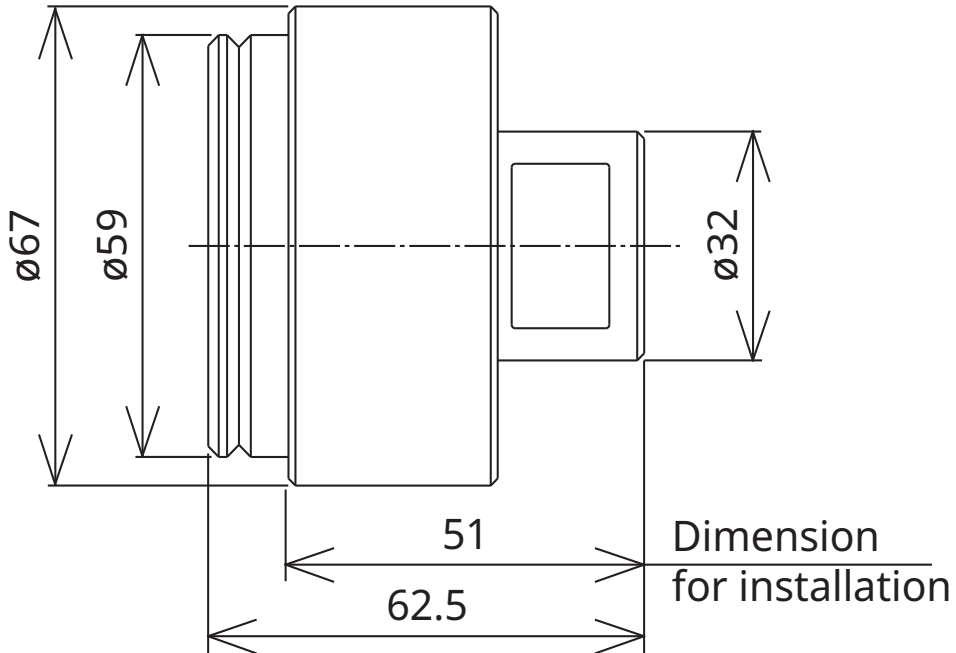
Environment	Indoor use
Temperature T0 [°C]	0 - 40
Humidity RH0 [%]	30 - 90

PACKING LIST

Item	Quantity
Fiber Adaptor	1

U-LGAD

MAIN DIMENSION



(Unit: mm)

· Specifications and appearances are subject to change without any notice or obligation on the part of the manufacturer.

EVIDENT CORPORATION

AM5425 01

Issued in December, 2023