

U-RFL-T

Power Supply Unit for Mercury Lamp



SPECIFICATIONS

Global item code / Local code for USA	N5717900 / 5-UT1553
Predecessor product information	None
Product Category	Light Source Unit
Input rating	100 – 240V AC, 50/60 Hz, 1.6A
Rated power consumption	150W
Ignition method	Auto ignition
Ventilation	Natural cooling
Indicator	Lamp life time counter Burner ON
Connecting	Lamp housing (Lamp housing for 100 W mercury burner) Power cord
Applicable mercury burner	Ultrahigh-pressure mercury burner (USH-103OL)
ESD function	N/A
Weight	3 kg
Country of Origin	Japan

SYSTEM ENVIRONMENT LIMITATIONS FOR OPERATION

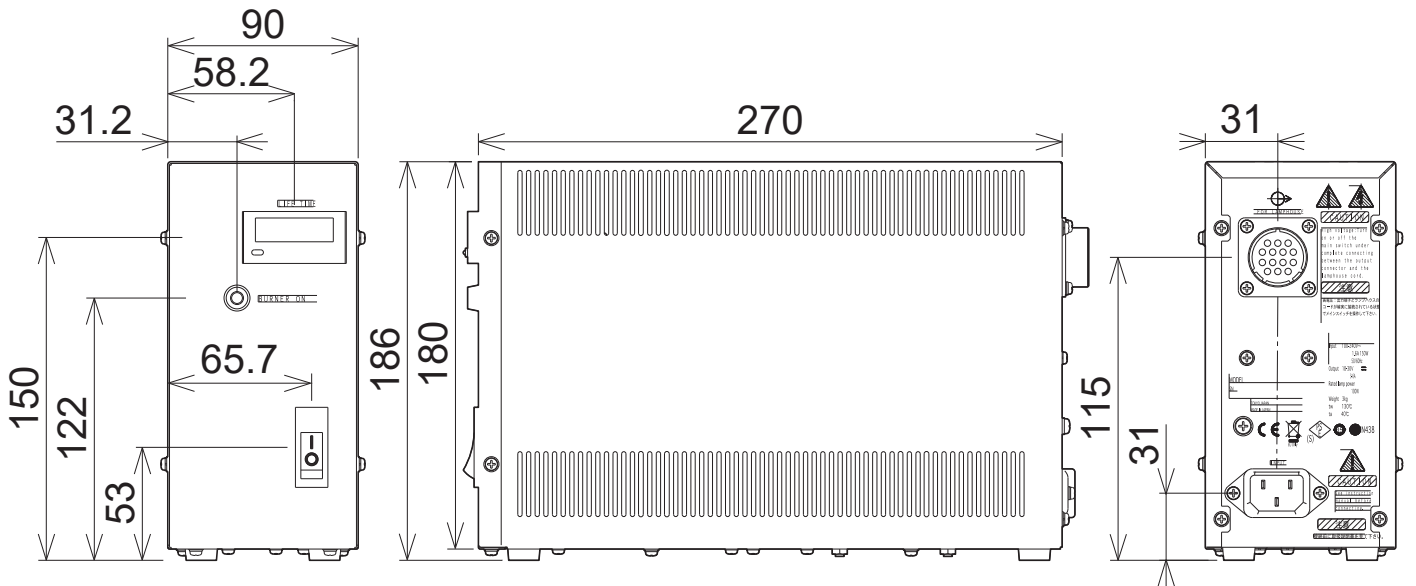
Environment	Indoor use
Temperature T0 [°C]	0 – 40
Humidity RH0 [%]	30 – 90

U-RFL-T

PACKING LIST

Item	Quantity
Power Supply Unit	1

MAIN DIMENSION



(Unit: mm)

· Specifications and appearances are subject to change without any notice or obligation on the part of the manufacturer.