

BX3-URA

Universal Reflected Illuminator for the BX3 Series



SPECIFICATIONS

Global item code / Local code for USA		N5741800 / BX3-URA-1-2	
Predecessor product information		None	
Product Category		Reflected light illuminator	
Observation method		Reflected fluorescence, Transmitted observation	
Illuminator	Field number	FN26.5	
	Illuminator magnification	1X	
	Mirror unit turret	Motion	Manual rotation (click stop)
		Quantity of mirror unit position	8 positions
		Encoded	N/A
	Field diaphragm	Motion	Push-Pull lever
		Centerable	Available
	Aperture diaphragm	Motion	Push-Pull lever
		Centerable	N/A
	Shutter	Motion	Slide lever (Provided on both sides.) engagement/disengagement
	Inscription plates	Attaching	Insert into the pocket of the turret cover
	Antiglare plate	Attaching	Plug into the turret cover
Light shield sheet	Attaching	Insert into the space on the stage	
Attached method	Frame	Clamping screw	
	Nosepiece	Slide dovetail	
	Observation tube	Dovetail	
	Lamp house	Fitting mount	
	Mirror unit	Snap fit (8 position)	
	ND filter insertion slot	Quantity of filter slot: 2 slots Slider size: 32 mm × 7.5 mm (click stop)	
	Analyzer insertion slot	Slider size: 32 mm × 7.5 mm (click stop)	
Polarizer insertion slot	Slider size: 32 mm × 7.5 mm (click stop)		
ESD function	N/A		
Weight	3.8 kg		
Country of Origin	China		

BX3-URA

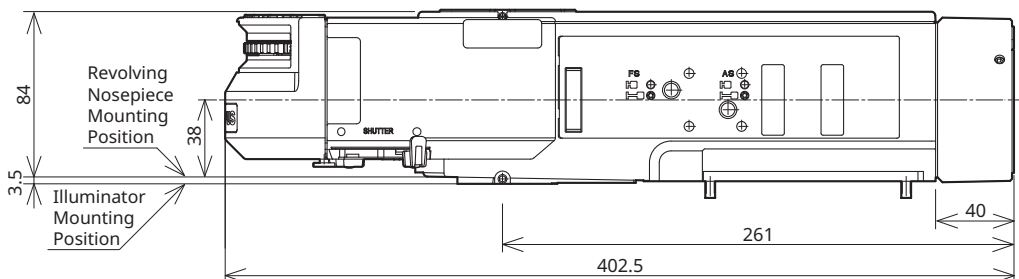
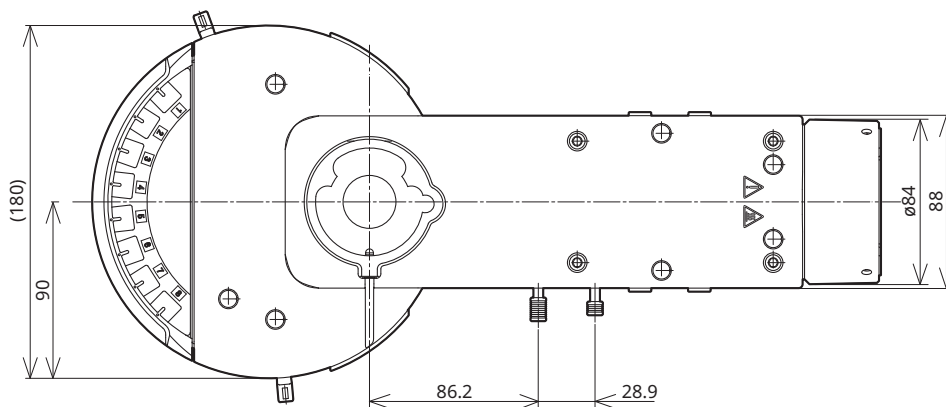
SYSTEM ENVIRONMENT LIMITATIONS FOR OPERATION

Environment	Indoor use
Temperature T0 [°C]	5 - 40
Humidity RH0 [%]	Maximum 80% (up to 31°C) (no condensation) Usable humidity declines linearly as temperature rises above 31°C 34°C (70%) to 37°C (60%) to 40°C (50%)
Power supply and voltage stability	±10%
Pollution level (IEC60664)	2
Over voltage category (IEC60664)	II

PACKING LIST

Item	Quantity
Reflected light illuminator	1
Antiglare plate	1
Light shield sheet	1
Inscription plates	1
Allen wrench	1
Cap	4

MAIN DIMENSION



(Unit: mm)

· Specifications and appearances are subject to change without any notice or obligation on the part of the manufacturer.