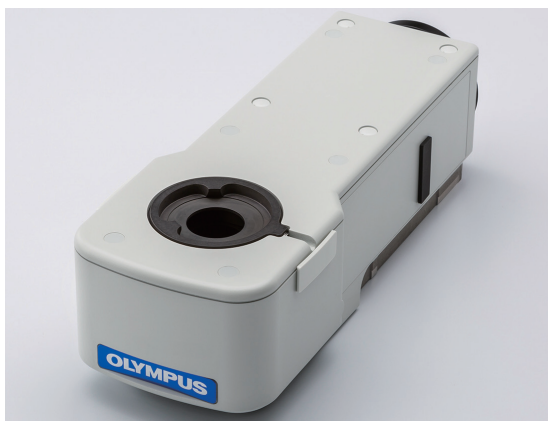


BX3M-KMA-S

BF Reflected LED Light Illuminator for the BX53M Microscope



SPECIFICATIONS

Global item code / Local code for USA		N5232400 / 5-UR213
Predecessor product information		None
Product Category		Reflected light illuminator
Observation method		Brightfield (Reflected), DIC/Simple polarization (Reflected), Transmitted Observation
Illuminator	Field number	FN26.5
	Illuminator magnification	1X
	Light source	Built-in LED light
	Power supply method	Supplied by Control box
Attached method	Frame	Clamping screw
	Nosepiece	Slide dovetail
	Observation tube	Dovetail
	Analyzer insertion slot	Slider size: 32 mm × 7.5 mm (click stop)
	Polarizer insertion slot	Slider size: 32 mm × 7.5 mm (click stop)
	Slider insertion slot	Slider size: 32 mm × 7.5 mm (click stop)
	Cable connection	Control box (BX3M-CB)
ESD function		Available (Excluding the lamp housing)
Weight		2.4 kg
Country of Origin		China

SYSTEM ENVIRONMENT LIMITATIONS FOR OPERATION

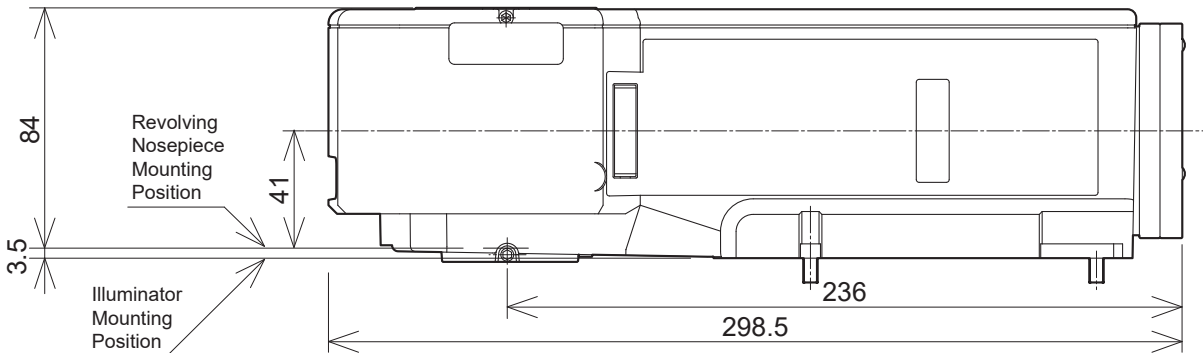
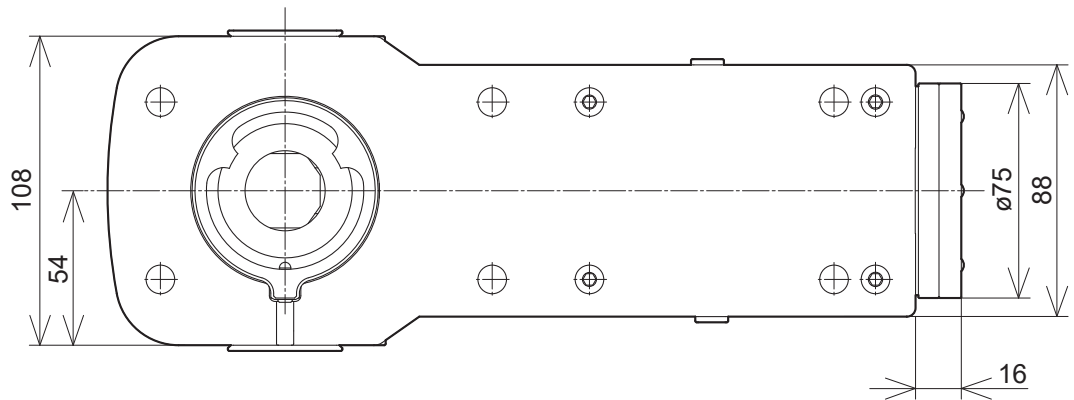
Environment	Indoor use
Temperature T0 [°C]	5 – 40 (ESD: 15 – 40)
Humidity RH0 [%]	Maximum 80% (up to 31°C) (no condensation) Usable humidity declines linearly as temperature rises above 31°C 34°C (70%) to 37°C (60%) to 40°C (50%) (ESD: 40 or more)
Power supply and voltage stability	±10%
Pollution level (IEC60664)	2
Over voltage category (IEC60664)	II

BX3M-KMA-S

PACKING LIST

Item	Quantity
Reflected light illuminator	1
Allen wrench	1
Cap	4

MAIN DIMENSION



(Unit: mm)

· Specifications and appearances are subject to change without any notice or obligation on the part of the manufacturer.