

BX3M-LEDR

LED Lamp Housing for BX3M Reflected Light Illuminator



SPECIFICATIONS

Global item code / Local code for USA	N5232800 / 5-UL400	
Predecessor product information	None	
Product Category	LED lamp housing	
Lamp house	Observation method	Reflected (Brightfield, darkfield, DIC, polarizer light)
	Light source	White LED (5700 K)
	Maximum current	700 mA
	Cable length	165 mm
	Power supply method	Controller for LED (ex: BX3M-PSLED)
Attached method	Illuminator	Fitting mount
	Cable connection	Connector
ESD function	N/A	
Weight	0.5 kg	
Country of Origin	China	

SYSTEM ENVIRONMENT LIMITATIONS FOR OPERATION

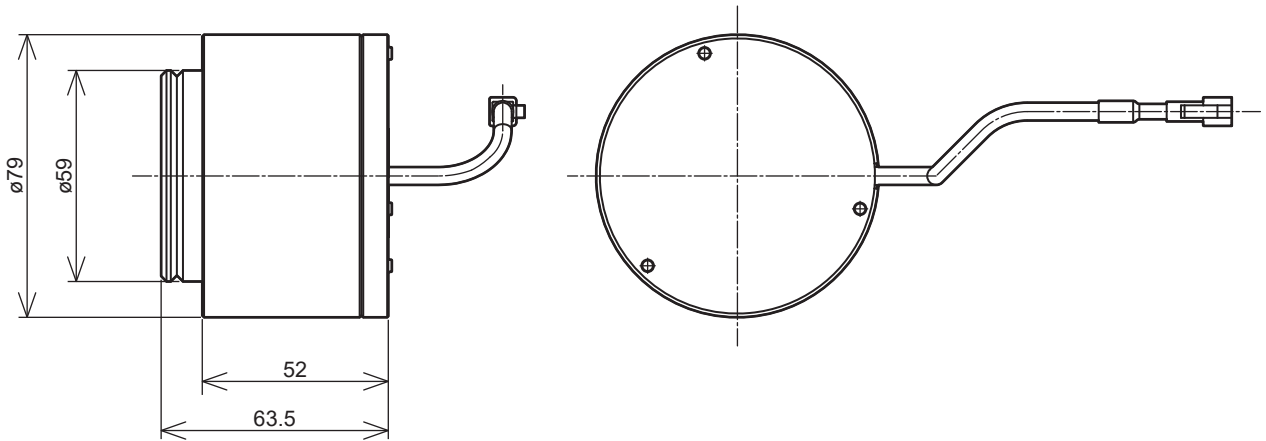
Environment	Indoor use
Temperature T0 [°C]	5 – 40
Humidity RH0 [%]	Maximum 80% (up to 31°C) (no condensation) Usable humidity declines linearly as temperature rises above 31°C 34°C (70%) to 37°C (60%) to 40°C (50%)
Power supply and voltage stability	±10%
Pollution level (IEC60664)	2
Over voltage category (IEC60664)	II

BX3M-LEDR

PACKING LIST

Item	Quantity
LED lamp housing	1

MAIN DIMENSION



(Unit: mm)

· Specifications and appearances are subject to change without any notice or obligation on the part of the manufacturer.