

BX3-UCD8A

Motorized Universal Condenser



SPECIFICATIONS

Global item code / Local code for USA		N5741900/BX3-UCD8A-1-3	
Predecessor product information		None	
Product Category		Universal Condenser	
Observation method	Dry top lens (U-TLD)	Transmitted light (Brightfield, darkfield, phase contrast, DIC, polarizer light)	
	Oil-immersed top lens (U-TLO)	Transmitted light (Brightfield, DIC)	
Condenser	Optical type	Achromat, aplanat	
	NA (Number of Aperture)	0.9 (U-TLD)	
		1.4 (U-TLO) oil immersed	
		0.2 (top lens out)	
	Applicable slide glass thickness	0.9 - 1.4 mm (U-TLD)	
		0.9 - 1.2 mm (U-TLO)	
	Working distance	1.5 mm (with 1.2 mm slide glass) (U-TLD)	
		0.6 mm (with 1.2 mm slide glass) (U-TLO)	
	Illuminating field diameter	3 mm (U-TLD)	
		1.5 mm (U-TLO)	
		14 mm (top lens out)	
	Optical elements turret	Motion	Motorized rotation
		Quantity of optical element position	8 positions (small x 3, large x 5), optical elements detachable
Centerable of PH DIC ring		Available (with Optical element centering knob)	
Encoded		8 positions	
Top lens	Motion	Motorized swing IN/OUT	
Polarizer	Motion	Motorized swing IN/OUT	
	Polarizer rotation	Available (with Polarizer rotation knob)	
	Polarizer rotation lock	Available (with Polarizer clamping knob)	
Aperture iris diaphragm	Motion	Motorized Open-Close	
Optical element indicator plate	Attaching	Attaching indicator Plate (magnet attached) on the turret cover	
Power supply method		Supplied by Control box	
Attached method	Frame	Dovetail	
	Optical element	Mounting into the turret position	
	Top lens	Fitting screw-in	
	Cable connection	Control box (BX3-CBH)	Intermediate cable connection (U-IFCBL15: 15 cm) via BX63
		Control box (BX3-CBM)	Intermediate cable connection (U-IFCBL200: 2 m)

BX3-UCD8A

ESD function	N/A
Weight	1.6 kg
Country of Origin	Japan

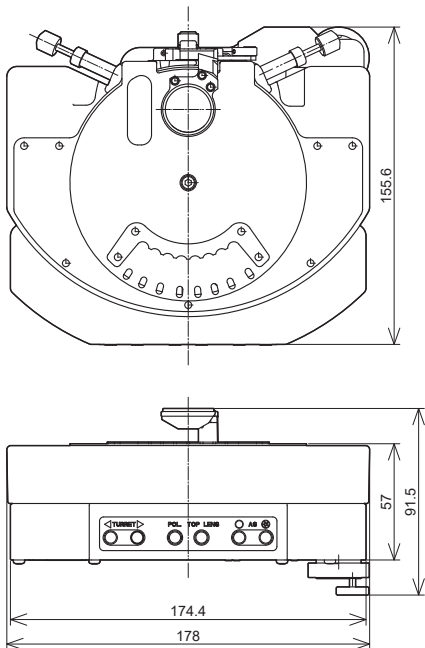
SYSTEM ENVIRONMENT LIMITATIONS FOR OPERATION

Environment	Indoor use
Temperature T0 [°C]	5 – 40
Humidity RH0 [%]	Maximum 80% (up to 31°C) (no condensation) Usable humidity declines linearly as temperature rises above 31°C 34°C (70%) to 37°C (60%) to 40°C (50%)
Power supply and voltage stability	±10%
Pollution level (IEC60664)	2
Over voltage category (IEC60664)	II

PACKING LIST

Item	Quantity
Universal Condenser	1
Optical element indicator plate	1
Stage clamping screw	1
Condenser clamping screw	1
Condenser centering screws	2
Allen wrench	1
Allen screwdriver	1

MAIN DIMENSION



(Unit: mm)

· Specifications and appearances are subject to change without any notice or obligation on the part of the manufacturer.