

# WI-OBCD

Long Working Distance Oblique Condenser



## SPECIFICATIONS

Global item code / Local code for USA		6529000/6-U543	
Predecessor product information		None	
Type		Condenser	
Optical specification	Condenser type		Achromat
	Observation method		Brightfield , Oblique Illumination observation, Simple polarizing observation
	Max. N.A.		0.8
	Working distance		5.7 mm
	Illuminating field diameter		Φ4.4 mm
	Oblique Illumination	Operation for Oblique Illumination	Pushing the oblique Illumination Slider into the Optical path
		Adjustable of Oblique Illumination	Available (Rotation of the oblique iris insertion/removal knob)
	Applicable Objectives		MPL5X UMPLFL10XW UMPLFL20XW XLUMPLFL20XW LUMPLFL40XW LUMPLFL60XW LWMPLFL40XWIR LWMPLFL60XWIR LUMPLFL100XW
	Aperture iris diaphragm		Operation
	Open-Close (with Aperture iris diaphragm lever)		
Attached method	Frame	Dovetail	
ESD function		N/A	
Weight		530g	
Country of Origin		Japan	

# WI-OBCD

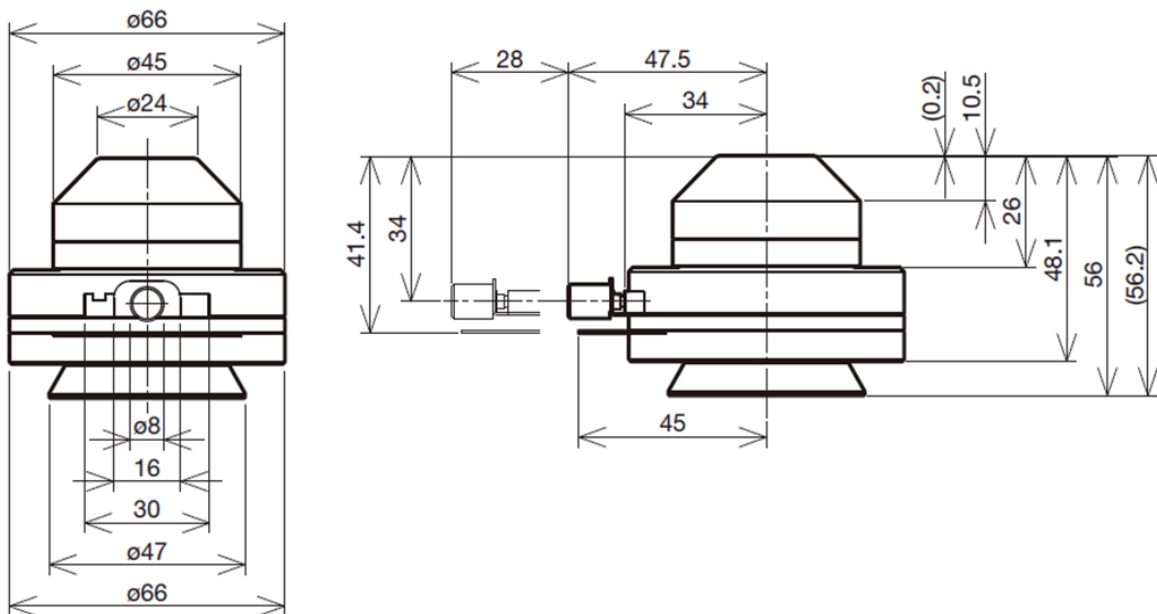
## SYSTEM ENVIRONMENT LIMITATIONS FOR OPERATION

Environment	Indoor use
Temperature T0 [°C ]	0 – 40
Humidity RH0 [% ]	30 – 90

## PACKING LIST

Item	Quantity
Long Working Distance Oblique Condenser	1

## MAIN DIMENSION



(Unit: mm)

· Specifications and appearances are subject to change without any notice or obligation on the part of the manufacturer.