

# BX3M-ARMAD

Height adapter



## SPECIFICATIONS

Global item code / Local code for USA		N5710400/ BX3M-ARMAD-1-2
Predecessor product information		None
Product category		Microscope frame
Raising amount		40mm
Attached method	Frame	Mounting screw
	Illuminator	Mounting screw
ESD function		N/A
Weight		0.62 kg
Country of Origin		Japan

## SYSTEM ENVIRONMENT LIMITATIONS FOR OPERATION

Environment	Indoor use
Temperature T0 [°C]	5 - 40
Humidity RH0 [%]	Maximum 80% (up to 31°C ) (no condensation) Usable humidity declines linearly as temperature rises above 31°C 34°C (70%) to 37°C (60%) to 40°C (50%)

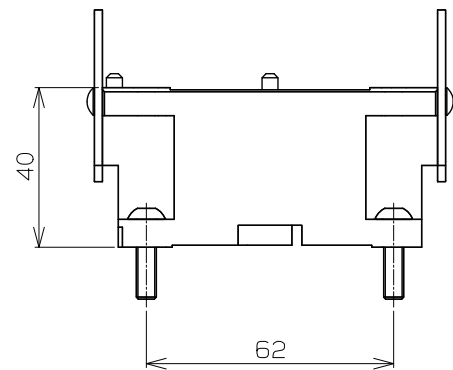
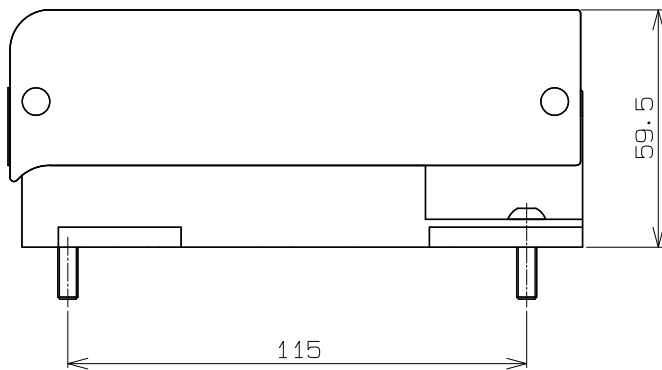
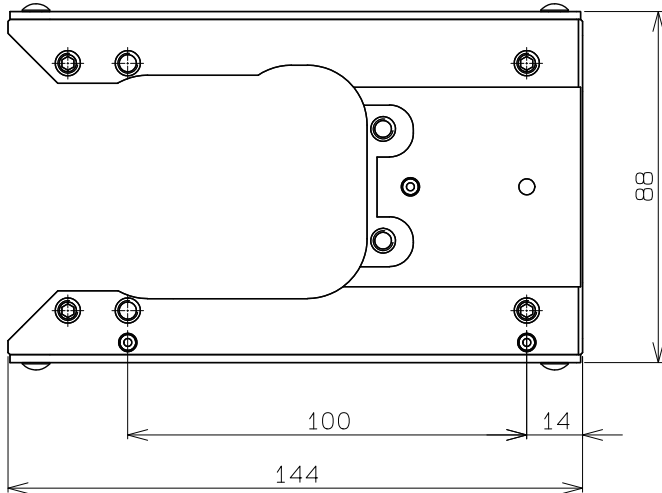
## PACKING LIST

Item	Quantity
Height adapter	1
Mounting screw (M5X20mm)	4
Allen wrench	1

# BX3M-ARMAD

## MAIN DIMENSION

---



(Unit: mm)

---

· Specifications and appearances are subject to change without any notice or obligation on the part of the manufacturer.